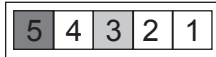
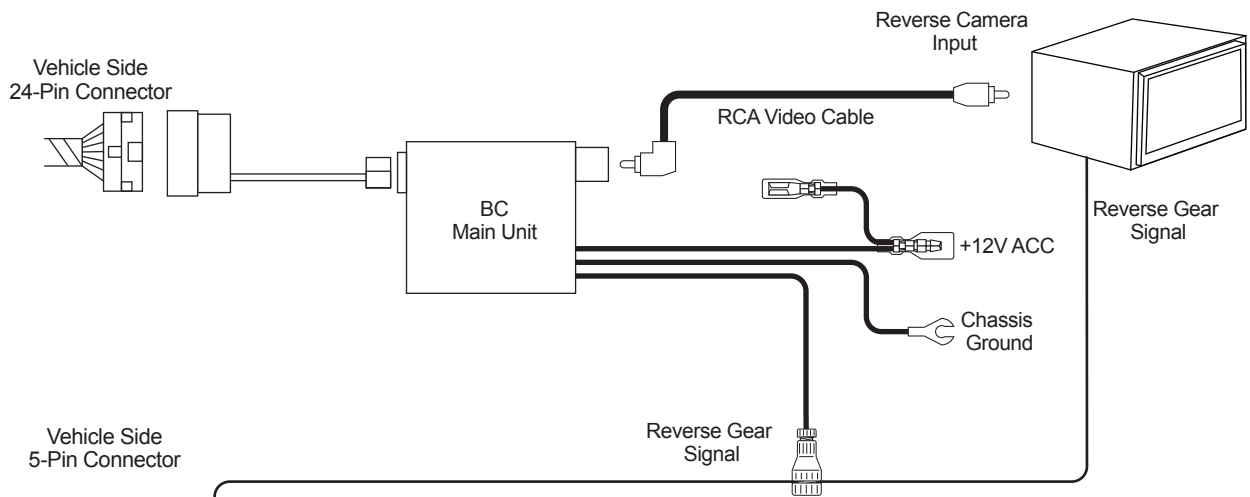
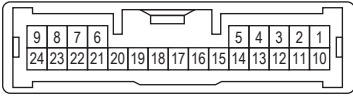


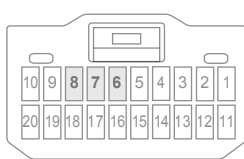
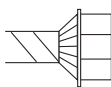
- Retains OE reverse camera
- Easy installation
- Provides safe 6V to camera
- 24-Pin OEM Connector



Viewed from back of connector with wires exiting toward viewer

Pin 5: REV  
Pin 3: SPD

Vehicle Side 20-Pin Connector



Viewed from back of connector with wires exiting toward viewer

Pin 6: SWG  
Pin 7: SW1  
Pin 8: SW2