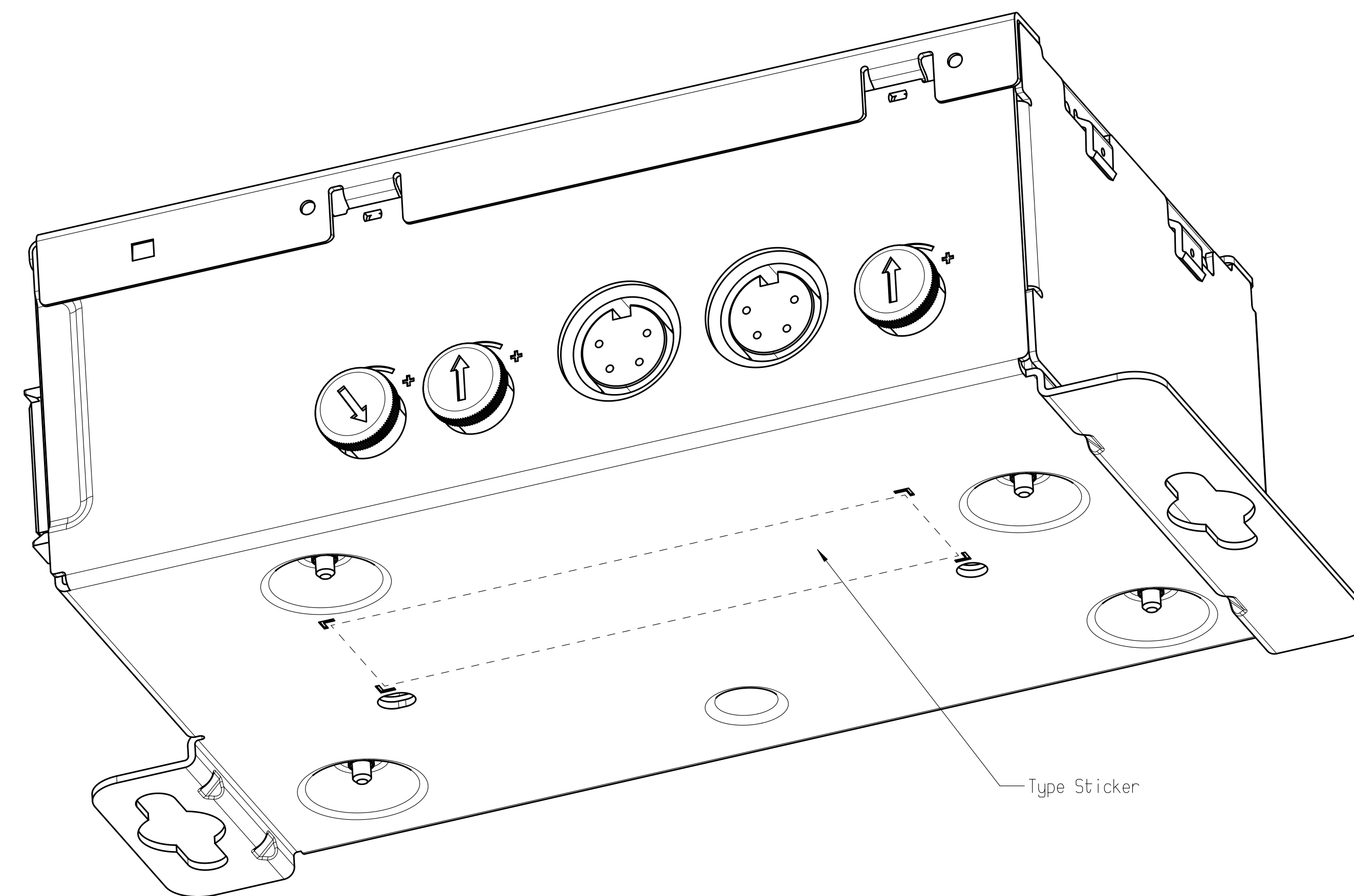
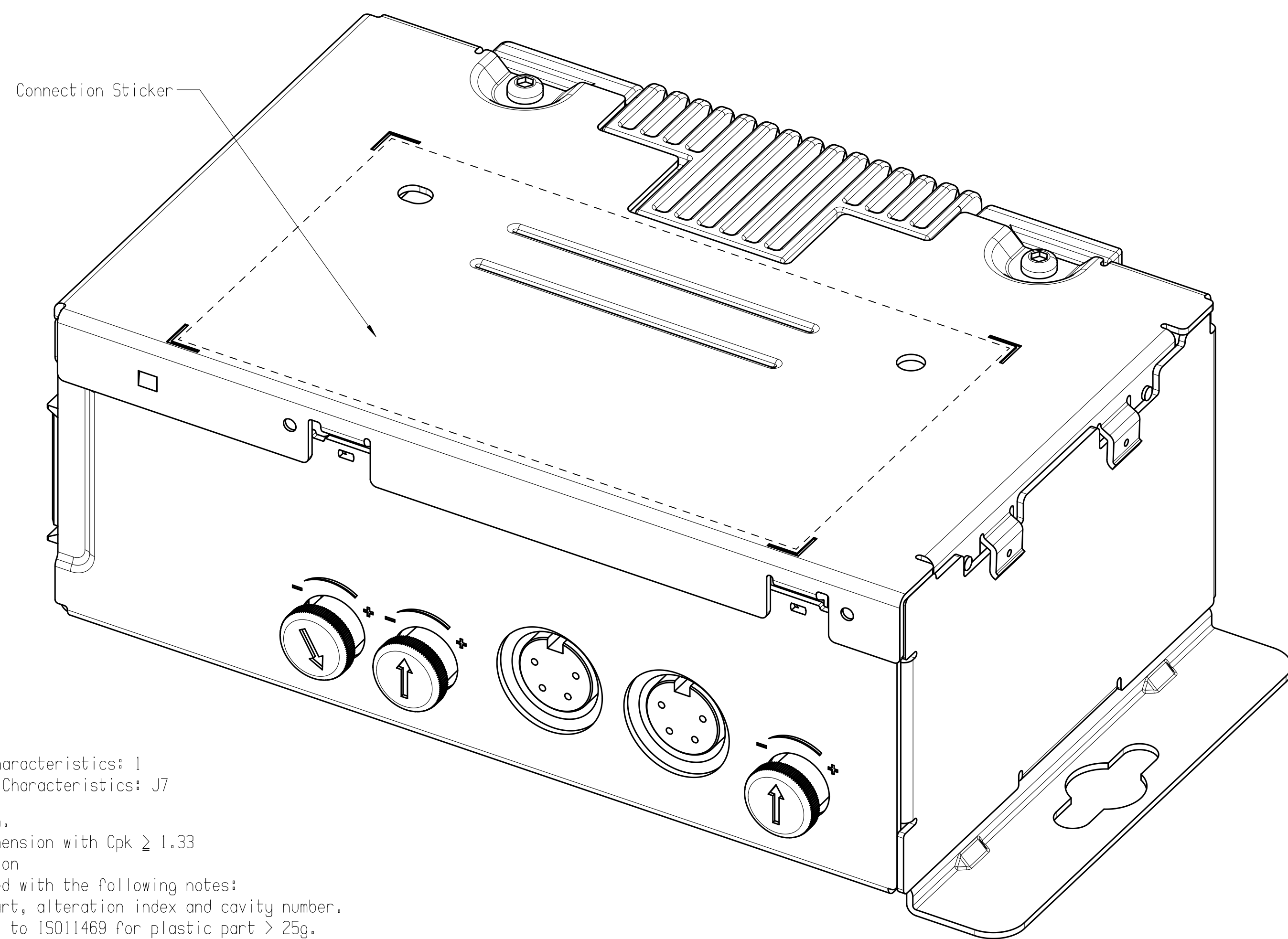
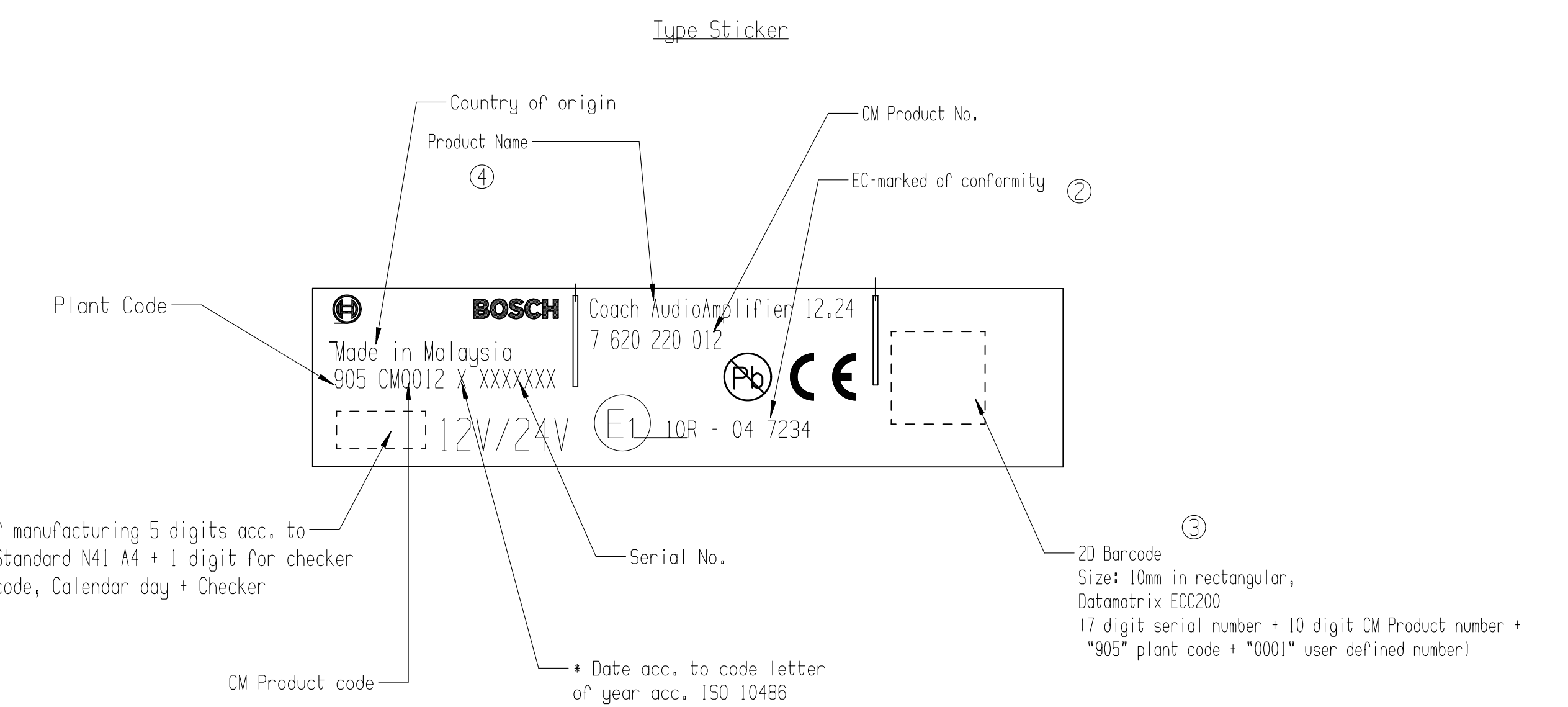


No.	Pin Number	Pin Description
1	A1	NC
2	A2	NC
3	A3	NC
4	A4	NC
5	A5	REMOTE_ON_INPUT (D6)
6	A6	NC
7	A7	UBAT (KL30) [12V/24V]
8	A8	GND (KL31)
9	B1	NC
10	B2	NC
11	B3	RF+
12	B4	RF-
13	B5	LF+
14	B6	LF-
15	B7	NC
16	B8	NC
17	C1	NC
18	C2	NC
19	C3	NC
20	C4	NC
21	C5	NC
22	C6	NC
23	C7	NC
24	C8	NC
25	C9	NC
26	C10	NC
27	C11	NC
28	C12	NC
29	C13	NC
30	C14	NC
31	C15	NC
32	C16	NC
33	C17	NC
34	C18	NC
35	C19	NC
36	C20	NC
37	D1	AUD_INPUT_RIGHT
38	D2	AUD_INPUT_LEFT
39	D3	MIC_VOL_REM
40	D4	MIC_VOL_REM_GND
41	D5	AUD_INPUT_GND
42	D6	REMOTE_ON_INPUT (A5)
43	D7	RADIO_INPUT_R_HIGH+
44	D8	RADIO_INPUT_L_HIGH+
45	D9	RADIO_INPUT_R_HIGH-
46	D10	RADIO_INPUT_L_HIGH-

NC : No Connection



Parts	Material
Housing	Electrolytic Galvanised Steel Sheet, Zinc Coated
Top Cover	Electrolytic Galvanised Steel Sheet, Zinc Coated
Knob	PC Makrolon 2407
Heat Sink	AC40
Microphone Connector	PBT/Resin, Black
Supply Box	PAB6 IResin/ GF30%

Amplifier Weight: 700g ± 50g (4)

Number of Special Characteristics: 1  
Location of Special Characteristics: J7

• Form fit dimension.  
 (1) SPC checked dimension with Cpk ≥ 1.33  
 (2) Control dimension  
 The part to be marked with the following notes:  
 production month, part, alteration index and cavity number.  
 Material marked acc. to ISO11469 for plastic part > 25g.  
 Any process or paint/ink material change has to be approved by PUR.  
 Part has to be correspond with Bosch standard N2580-1, commitment G/A/E.  
 Part Qualification:

EMC: E1: ECE R10 04 7234, CE, FCC

Order No.	Plant	Year	Part	Material	Quantity	Unit	Storage
06 14 238801	2010021	LE1P1	Soltow	9050 RMP/END			
05 00174103	2015004	VLO1P1	WIKP1	9050 RMP/END			
04 00174101	2015002	VLO1P1	WIKP1	9050 RMP/END			
03 113	2018015	VLO1P1	WIKP1	9050 RMP/END			

File acc. to: 150 14405-1:2010-12  
 envelope principle/  
 blue (grünz) (3)

Feedback/Information: Bosch, 73446 Gerlingen, Germany

Suppl. for:  Right/Rev.  Amp/Fliter RESELER/RESNER

DRW 7 620 220 012.EA