

RPM
Stroker Series

SPEAKERS



SM65F4/SM8F4/SM69F4

MANUAL

Introduction

Cerwin Vega Mobile Speakers

Congratulations for purchasing Cerwin Vega Mobile speakers for your car audio system. You have chosen Cerwin Vega Mobile because you deserve the best!

Cerwin Vega Mobile speakers are designed and engineered to reproduce great sound quality for many years of listening enjoyment in your vehicle! We highly recommend that your new speakers be installed by an authorized Cerwin Vega Mobile dealer. Your authorized dealer can professionally assemble / disassemble the interior of your vehicle and set the proper subwoofer placement for ideal sound quality.

If you decide to install the speakers by yourself, please thoroughly read through this manual before getting started. This manual will help familiarize yourself with these speakers and guide you through the installation process and procedures.

Please contact your local authorized Cerwin Vega Mobile dealer if you have any questions regarding the instructions in this manual. If you require additional assistance, please contact the Cerwin Vega Mobile Technical Support Department during business hours at 213-261-4161

SM65F4/SM8F4/SM69F4: Supplied Hardware/Parts

- 1 - Pair Marine Grade Speakers
 - 1 - Pair 1m Dream RGB lighting input wires with Waterproof Terminal
 - 16 - Philips head stainless screws with teflon washers
- Removable Grille Option (Sold separate) :
- A: High Gloss Black UV Coating Ring with 316 Stainless Mesh
 - B: High Gloss White UV Coating Ring with 316 Stainless Mesh

Features

MODEL	TYPE	POWER HANDLING
SM65F4	6.5" 2-Way coaxial speaker	125W RMS/250W MAX
SM8F4	8" 2-Way coaxial speaker	150W RMS/300W MAX
SM69F4	6"X9" 2-Way coaxial speaker	150W RMS/300W MAX

SM65F4/SM8F4/SM69F4 SPECIAL FEATURES

- ❑ 2-Way 25mm Titanium Dome Tweeter Speaker System(Pair)
- ❑ Flush Mount Design
- ❑ IP65 Marine Grade Compliant Specifications, 100% UV Stable
- ❑ Max Xmax Suspension Design Ideal for Marine and Motorcycle Fairings
- ❑ Integrated Digital RGB LED Lighting/RPMDLED Multi-Function Digital RGB LED Lighting Remote Control Available
- ❑ Radial Zip Ring (RZR) Cone For Expanded High Frequency Reproduction
- ❑ High Temp Injection Molded Composite Basket With Proprietary Wire
- ❑ Thermal Molded, UV-Coated, Patent Pending Waterproof Composite Injection Cone

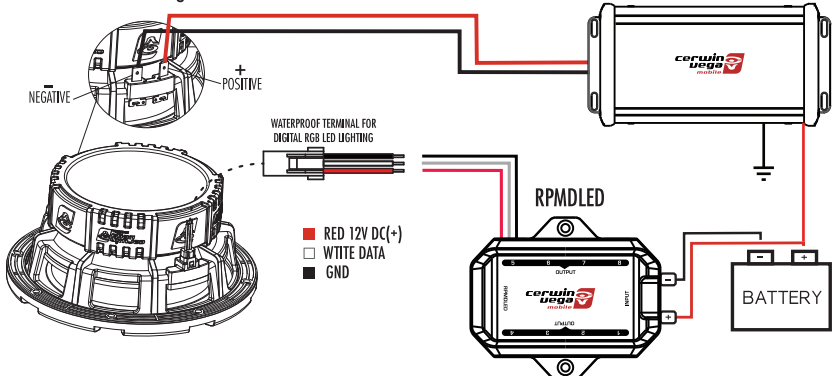
Installation

Installation Considerations:

1. Be sure to carefully read and understand the instructions before attempting to install these speakers.
2. For safety, disconnect the negative battery terminal from the battery prior to beginning the installation.
3. For easier assembly, we suggest you run all wires prior to mounting your speakers in place.
4. Use high quality connectors for a reliable installation and to minimize signal or power loss.
5. Think before you drill! Be careful not to cut or drill into gas tanks, fuel lines, brake or hydraulic lines, vacuum lines or electrical wiring when working on any vehicle. If installation in a boat, take care not to cut or drill through the main hull.
6. Never run wires underneath the vehicle. Running the wires inside the vehicle or hull area provides the best protection.
7. Avoid running wires over or through sharp edges. Use rubber or plastic grommets to protect any wires routed through metal, especially the firewall.

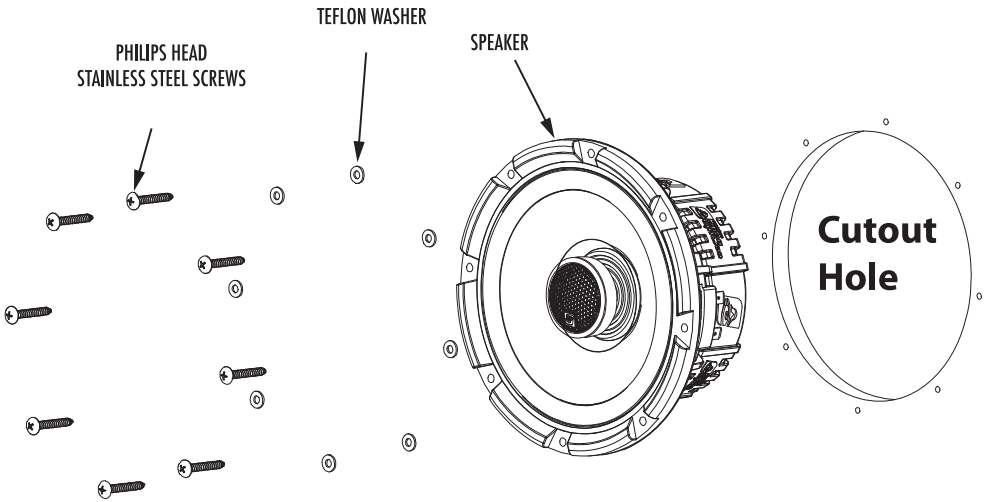
Mounting

1. Determine where the speakers will be mounted. Ensure an area large enough for the speaker to mount evenly. Be sure that the mounting location is deep enough for the speaker to fit; if mounting in a door, operate all functions (windows, locks, etc.) through their entire operating range to ensure there is no obstruction.
2. Refer to the specification chart to determine the proper diameter hole to cut for your speaker model. Cutting and mounting templates can be found at WWW.CERWINVEGAMOBILE.com.
3. Mark the locations for the mounting screws. Drill the holes with a 1/8" bit.
4. Feed the speaker wires through the cutout and connect to the speaker terminals. Be sure to observe proper polarity when connecting the wires. The speaker's positive terminal is indicated with a "+".
5. Fit the speaker and mount into place using eight (8) screws, Black or White ring with stainless mesh option (Sold separate).
6. Tighten the screws until the speaker is snug in place to prevent
7. Digital RGB LED mounting :

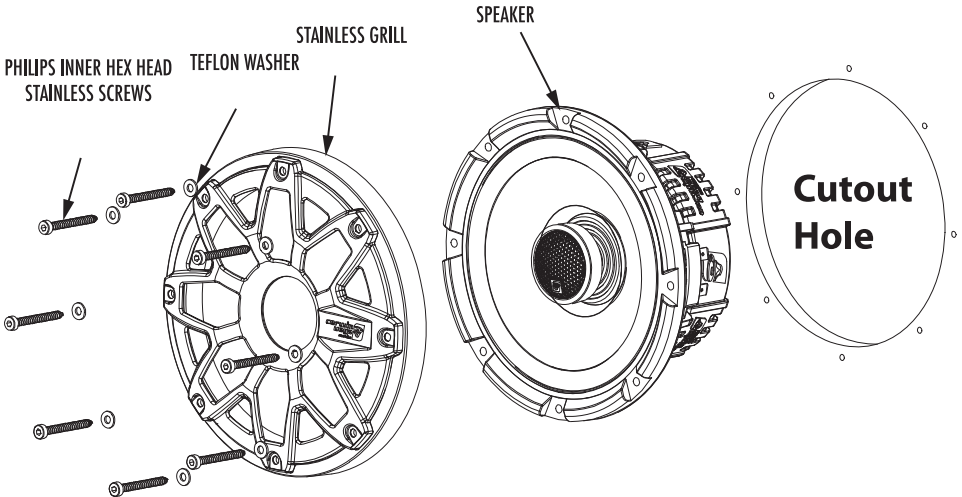


Installation

WITHOUT GRILLE MOUNTING



WITH STAINLESS GRILLE MOUNTING (GRILL SOLD SEPERATE)



STROKER SERIES

Model	SM65F4	SM8F4	SM69F4
Nominal Diameter - inch (mm)	6.5 (165)	8 (203)	6X9 (152X229)
Description	2-Way	2-Way	2-Way
Nominal Impedance (Ohms)	4	4	4
Frequency Response (Hz)	70-18kHz	55-18kHz	60-18kHz
Voice Coil Diameter - inch (mm)	1.75 (44.7)	1.75 (44.7)	1.75 (44.7)
Power Handling - Watts (RMS/Peak)	125/250	150/300	150/300
Fs - Free Air Resonance (Hz)	80	60	70
Qts	0.682	0.802	0.616
Vas - cu. ft. (Liter)	0.724 (20.5)	0.3 (8.5)	0.106 (3.0)
Sensitivity (1W/1M)	92dB	93dB	93dB
Sensitivity (2.83V/1M)	95dB	96dB	96dB
Xmax - inch (mm)	0.16 (4)	0.16 (4)	0.16 (4)
Mounting Diameter	5.63" (143mm)	7.13" (181mm)	8.64"X6.0" (219.5X152.5mm)
Mounting Depth	2.56" (65mm)	3.15" (80mm)	3.15" (80mm)
Grille	OPTION	OPTION	OPTION

Warranty

Thank you for purchasing a Cerwin Vega Mobile product and we hope to provide you with countless hours of listening enjoyment.

Please take a brief moment to register your new product. By registering your new product, you will receive benefits such as:

- Important product notifications that may pertain to your purchase.
- Confirmation and record of ownership in case of loss or theft.
- Knowledgeable customer service and technical assistance pertaining to your product.

Register your new product by completely filling out this Product and Warranty Registration card or register online at www.cerwinvegamobile.com.

Registration is voluntary and failure to register will not diminish your limited warranty rights.

Limited Warranty (U.S.A.)

Cerwin Vega Mobile warrants all of our amplifiers and speakers to be free of defects in materials and workmanship for a period of one (1) year.

This warranty is non-transferable and applies only to the original purchaser from an authorized Cerwin Vega Mobile dealer. If service is required and necessary under this warranty due to manufacturing defect or malfunction, then Cerwin Vega Mobile will repair and/or replace defective product with either new or remanufactured like product at no charge at our discretion.

Damage to product caused by the following will not be covered under this warranty: abuse, accident, misuse, neglect, modifications, repairing attempts, seller/installer misrepresentation.

This warranty does not cover any incidental, consequential, or cosmetic damage due to accidents or normal wear and tear, nor does it cover the cost of removing or reinstallation of the product.

Warranty is void if the product's serial number has been removed, defaced, and/or tampered with.

Warranty Procedure:

We recommend that you contact your Cerwin Vega Mobile authorized dealer where your original purchase was made to initiate all warranty claims. Our authorized dealers can guide you through the warranty procedure to ensure that your claim will be processed in a timely manner. All warranty returns must be accompanied with a proof of purchase (a copy of the original sales receipt) and be shipped freight prepaid to our facility with an RA (Return Authorization) number clearly marked on the outside of the package. Direct returns from consumers or non-authorized dealers will be refused if shipped without a valid RA number authorized by Cerwin Vega Mobile beforehand.

INTERNATIONAL

Products purchased outside of the U.S.A. are covered only by that country's distributor and not by Cerwin Vega Mobile U.S.A.

Please Ship All Warranty Claims With Pre-Authorized RA Number To:

CV&DA Holdings, Inc.
ATTN: Customer Service Department
3761 S. Hill St.
Los Angeles, CA 90007 USA

Please Contact Customer Service for Further Warranty Information:

U.S.A.
Tel: 213-261-4161 / Fax: 213-947-4767



**3761 South Hill Street
Los Angeles 90007, USA
P 213-261-4161 / F 213-947-4767**

WWW.CERWINVEGAMOBILE.COM

**©2020 Cerwin Vega Mobile All rights reserved.
(a division of CV & DA Holdings, Inc.)**