



DIAMOND
AUDIO

TESLA VEHICLE SPECIFIC PRODUCT

S-65C

X-65C

S-65CX

Owners Manual



ABOUT THE DIAMOND AUDIO EXPERIENCE

Congratulations, you have just purchased the finest mobile audio products on the market to date. At Diamond Audio, our products represent the latest advances in acoustic technology in sound reproduction for your vehicle. Diamond Audio products are designed, developed, and engineered using the latest innovative materials and components to provide the finest sound reproduction possible. Every Diamond Audio product has been Klippel verified and tested to ensure the best sounding and most reliable product on the market, if installed properly, Diamond Audio products will provide many years of the ultimate listening experience.

Please note that prolonged exposure to sound pressure levels in excess of 100dB can cause permanent hearing loss. Using Diamond Audio products can exceed that level so please exercise restraint in its operation in order to preserve your ability to enjoy its high fidelity sound for many years to come.

Diamond Audio recommends our products be professionally installed by an authorized Diamond Audio dealer to achieve the best possible system recommendation and installation. This will ensure a true Diamond Audio listening experience and sound you would expect from Diamond Audio products. In doing this you will extend your warranty from one year to two years.

LEGAL NOTICE

- All protected product names and brand names are the property of their respective owners.
- Technical changes and errors are subject to change.

FEATURES

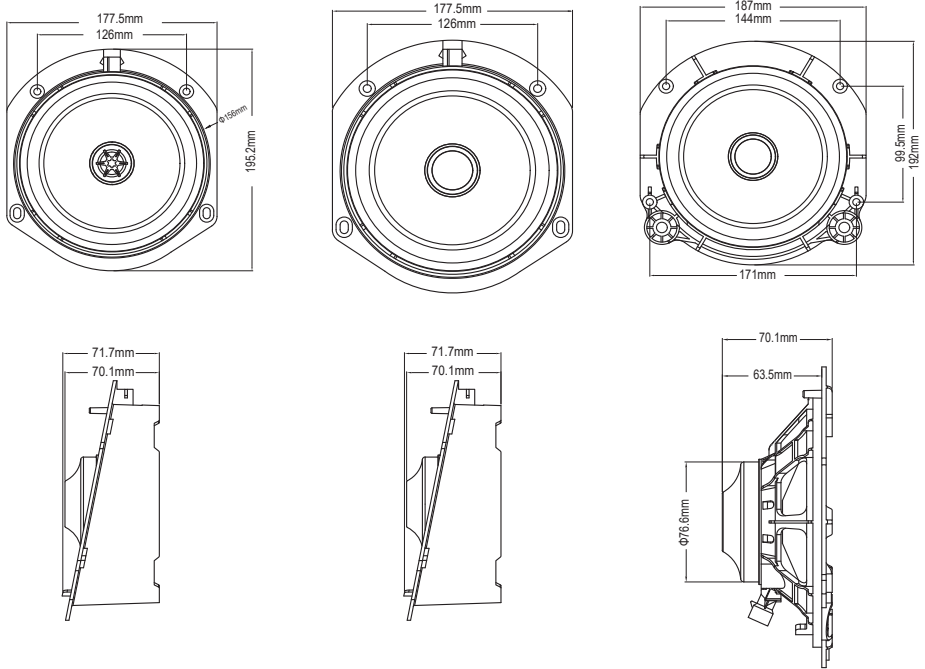
- “6.5” Custom Tooled Precision Basket For Tesla Model S/X
- Premium Sound Enhancement Upgrade To OEM System
- Glass Fiber Reinforced Cone
- 1”/ 26mm High Temp Voice Coil
- Higher Power Handling Design For Additional Amplifier Power Capability

DIMENSIONS AND SPECIFICATIONS

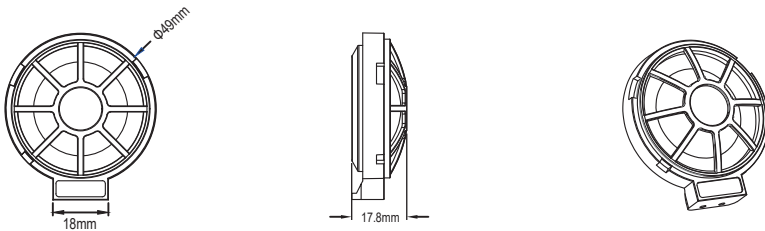
Specifications:	S-65CX	S-65C	X-65C
Total Diameter (A)	6.5 inch/165mm	6.5 inch/165mm	6.5 inch/165mm
Mounting Depth (B)	0.8 inch/20.6mm	0.8 inch/20.6mm	2.5 inch/63.5mm
Impedance	2 Ohm	2 Ohm	2 Ohm
Frequency response	60-20 KHz	60-1.5 KHz	60-1.5 KHz
SPL 1W/1M	90dB	90dB	90dB
Power Watt RMS	70W	70W	70W
Power Watt Maximum	140W	140W	140W
RE	1.8 Ohm	1.8 Ohm	1.8 Ohm
SPL	89dB	89dB	89dB
FS	69 Hz	69 Hz	69 Hz
QMS	3.4	3.4	4.4
QES	0.66	0.66	0.67
QTS	0.55	0.55	0.58
VAS	10.1	10.1	10.5
Specifications:	TWEETER	TWEETER	TWEETER
Total Diameter (A)	/	1.92inch/48.8mm	1.92inch/48.8mm
Mounting Depth	/	0.7inch/17.8mm	0.7inch/17.8mm
Impedance	/	4 Ohm	4 Ohm
Frequency response	/	1280-20 KHz	1280-20 KHz
SPL 1W/1M	/	90dB	90dB
Power Watt RMS	/	20W	20W
Power Watt Maximum	/	40W	40W
RE	/	3.5 ohm	3.5 ohm
FS	/	1280	1280
crossover	6dB/Oct	6dB/Oct	6dB/Oct

**The S-65CX Coaxial Speaker and S-65C Component Speaker are compatible with the Tesla Model S.
The X-65C Component Speaker is compatible with the Tesla Model X.**

COAXIAL/MIDRANGE



TWEETER



(unit:mm)

LIMITED SPEAKER WARRANTY STATEMENT

Diamond Audio (CV & DA HOLDINGS INC.) warrants this product to be free from defects in material and workmanship for a period of one (1) year from the original date of purchase provided it was purchased from an authorized DA retailer within the United States. Product warranty period starts at date of purchase or one year past manufacture date whichever is first. However, upon purchase, completion of the online registration and installation by an authorized DA dealer your warranty period will be extended to two (2) years. This warranty extension offer will only be recognized upon completion of the online registration of your product within 30 days of the date of purchase.

THIS WARRANTY IS NOT TRANSFERABLE AND APPLIES ONLY TO THE ORIGINAL PURCHASER OF THIS PRODUCT IN ITS ORIGINAL INSTALLATION. Original purchaser must reside in the United States and be able to provide proof of purchase and installation with the sales receipt and completion of online registration from the authorized DA retailer that sold and installed the product.

Should a manufacturing defect occur during above said warranty period, DA will replace or repair the defective product with a product of the same or equivalent value and performance.

Damage or failure caused by any of the following is not covered under this warranty policy: negligence, improper use, abuse, product modification, unauthorized repair attempts, accident, acts of God, misrepresentations by DA retailers, and improper/inadequate packaging during return shipping.

Warranty is void if serial numbers have been removed, altered or defaced.

HOW TO OBTAIN WARRANTY SERVICE

In the event a DA product should require service, you should visit the authorized DA retailer you purchased the product from and they can expedite your claim. All claims must fall into the guidelines listed above and be accompanied by a copy of the original sales and installation receipt from that authorized DA retailer.

Product returned for warranty service must be freight-prepaid, properly packaged and clearly marked with the Return Authorization (RA) number issued by DAT. Any product returned to DA that is improperly packaged, does not have a RA number clearly marked on the package, or never received a RA number may be refused upon delivery. DAT does not assume responsibility for lost or misdirected product.

Repair or replacement under this warranty is the exclusive remedy of the consumer. DA shall not be liable for any incidental or consequential damages for breach of any expressed or implied warranty on this product. Some states do not allow the exclusion or limitation of incidental or consequential damages, or allow limitations on how long an implied warranty lasts, so the above limitations or exclusions may not apply to you. This warranty gives you specific legal rights and you may also have other rights that may vary from state to state.

Customers outside the United States should contact their local sales office to obtain information on pricing, exchange unit availability, instructions, service and warranty/non-warranty replacement or repair.

Diamond Audio

3761 S. HILL ST
LOS ANGELES, CA 90007
Tel: 213-261-4161
Fax: 213-947-4767
Web: diamondaudio.com

Service/Tech Support:

213-261-4161

Tech Support Email

techsupport@diamondaudio.com

©2019 Diamond Audio. All rights reserved.
(a division of CV & DA Holdings, Inc.)



DIAMOND
AUDIO

(a division of CV & DA Holdings, Inc.)
3761 South Hill Street
Los Angeles, CA 90007 USA

www.DiamondAudio.com