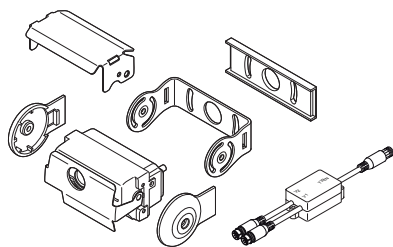


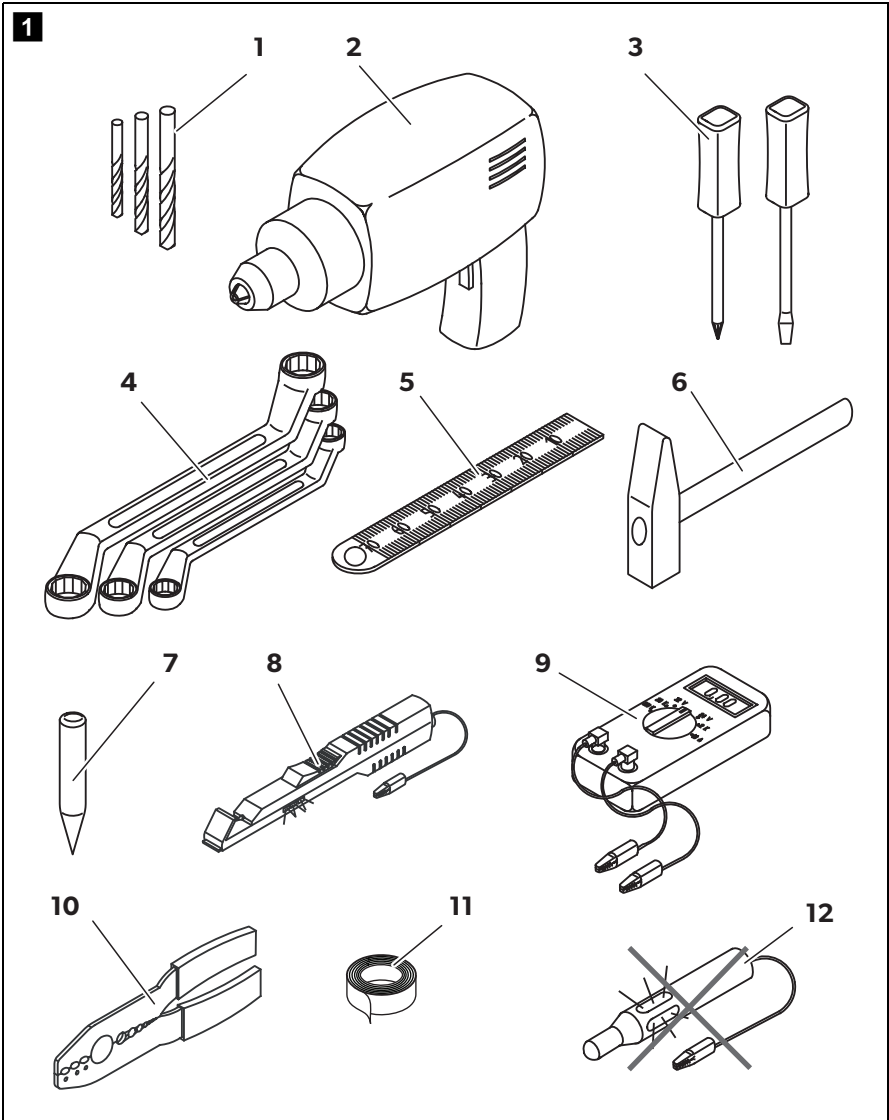


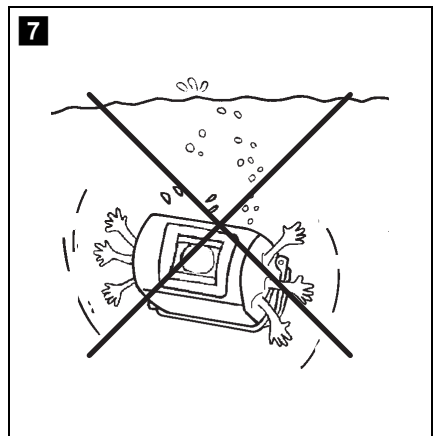
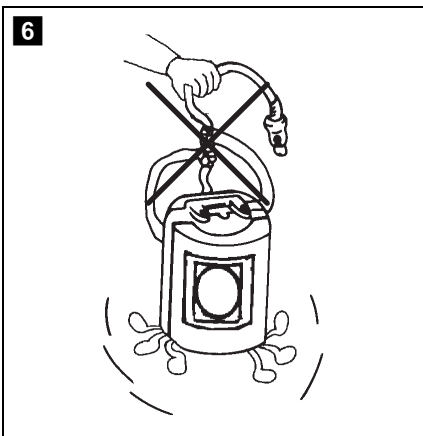
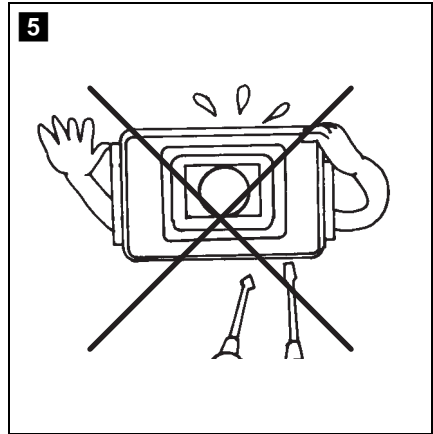
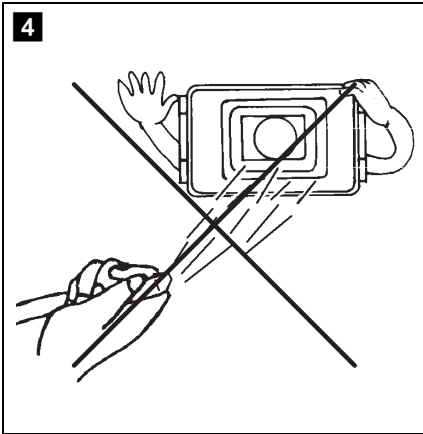
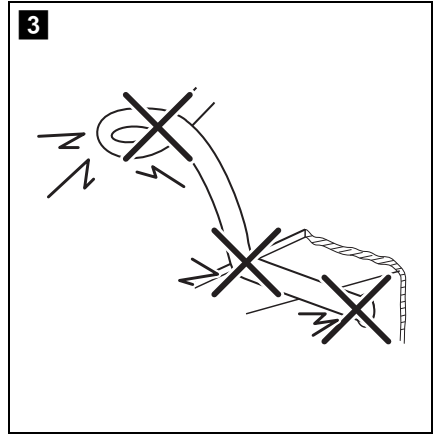
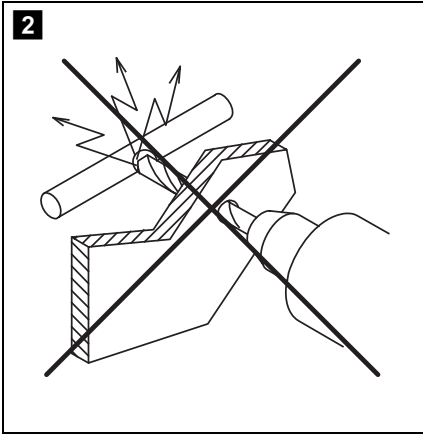
DRIVING SUPPORT PERFECTVIEW

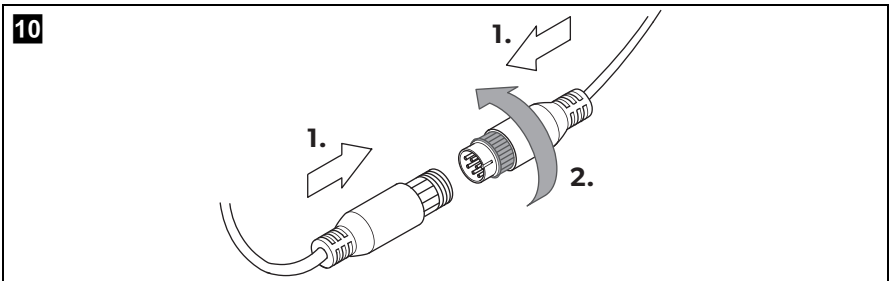
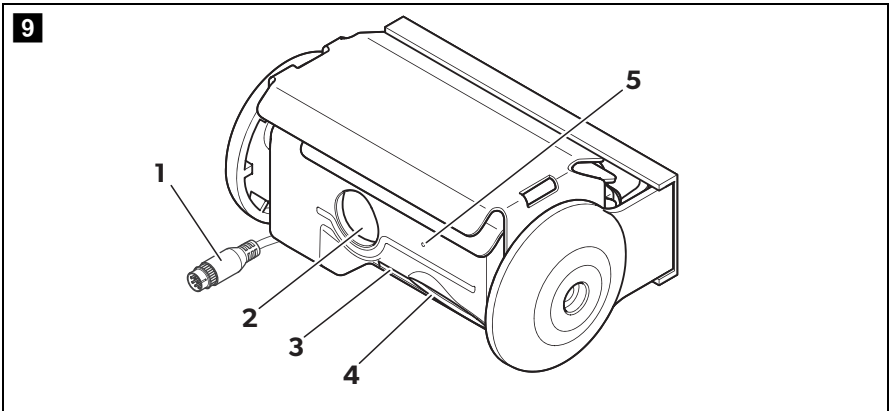
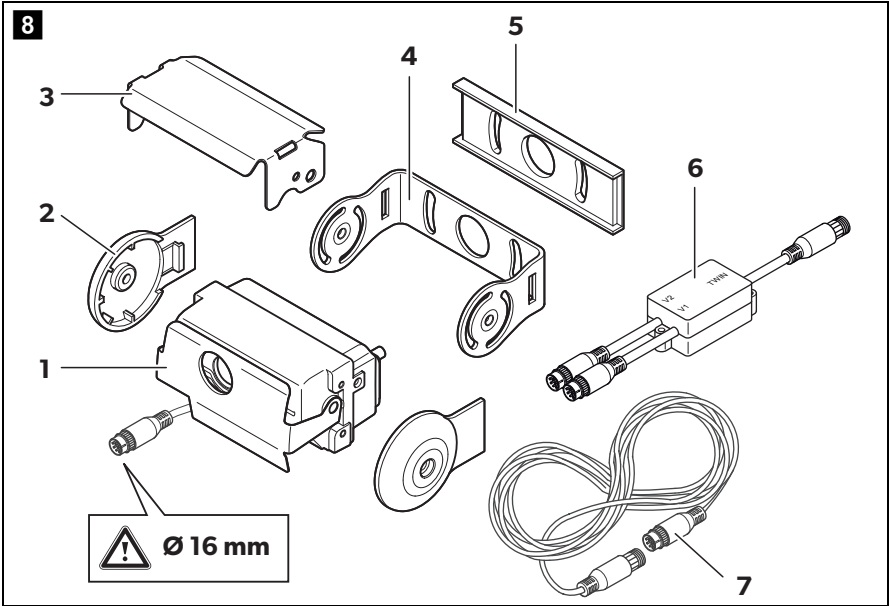


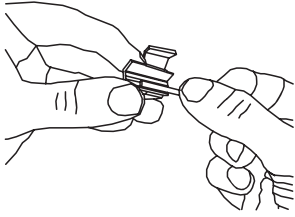
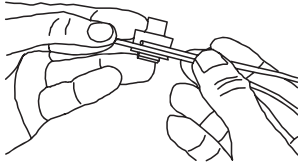
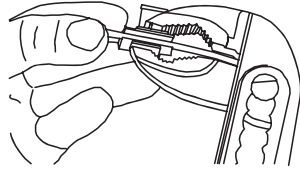
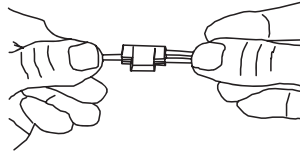
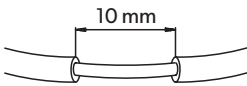
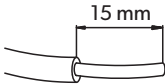
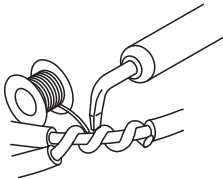
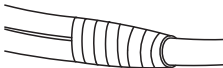
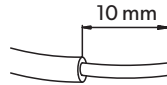
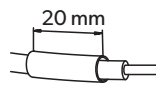
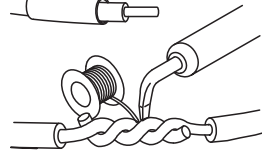
CAM44

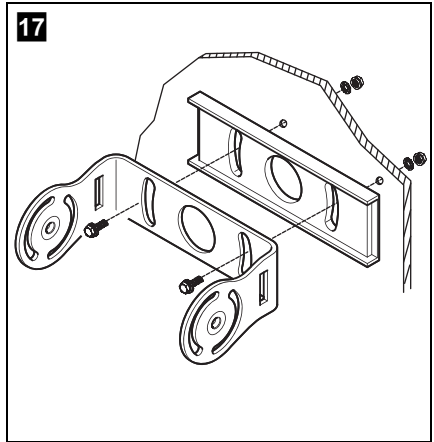
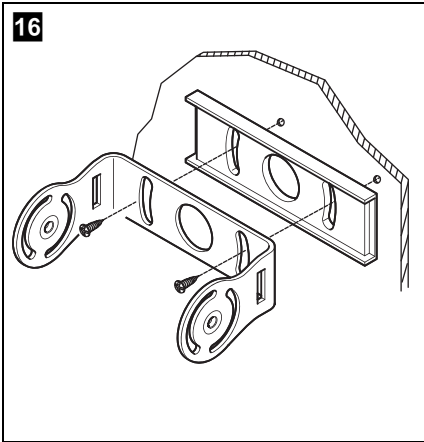
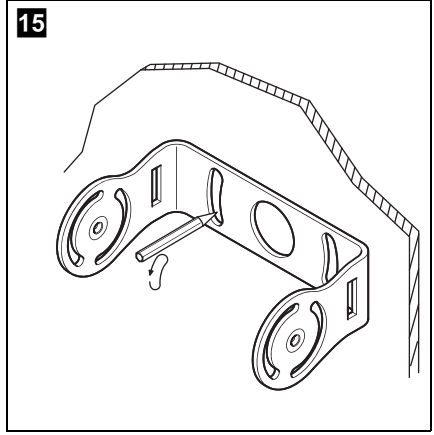
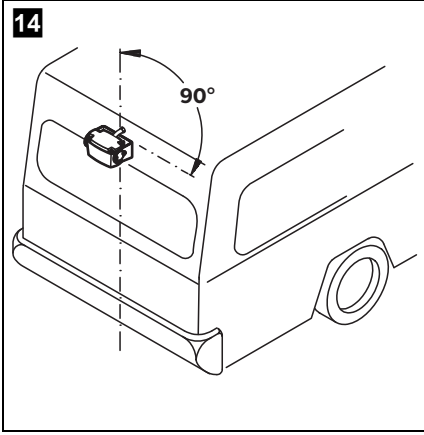
- | | | | |
|-----------|---|-----------|---|
| EN | Rear View Video Camera
Installation and Operating Manual 11 | FI | Peruutusvideokamera
Asennus- ja käyttöohje 181 |
| DE | Rückfahrvideokamera
Montage- und Bedienungsanleitung 28 | RU | Видеокамера заднего вида
Инструкция по монтажу и эксплуатации 197 |
| FR | Caméra vidéo de recul
Instructions de montage
et de service 45 | PL | Kamera cofania
Instrukcja montażu i obsługi. 215 |
| ES | Cámara de vídeo de marcha atrás
Instrucciones de montaje y de uso 63 | SK | Cúvacia videokamera
Návod na montáž a uvedenie
do prevádzky. 233 |
| PT | Câmara de vídeo de marcha atrás
Instruções de montagem e manual de
instruções 81 | CS | Couvací kamera
Návod k montáži a obsluze 249 |
| IT | Videocamera per la retromarcia
Istruzioni di montaggio e d'uso 98 | HU | Tolatócamera
Szerelési és használati útmutató 265 |
| NL | Achteruitrijvideocamera
Montagehandleiding en
gebruiksaanwijzing 116 | | |
| DA | Bakvideokamera
Monterings- og betjeningsvejledning . . . 133 | | |
| SV | Backningsvideokamera
Monterings- och bruksanvisning 149 | | |
| NO | Ryggevideokamera
Monterings- og bruksanvisning 165 | | |

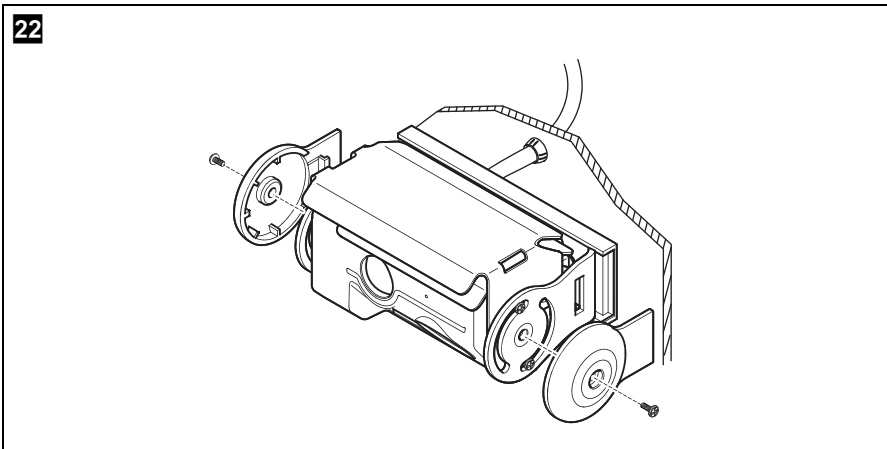
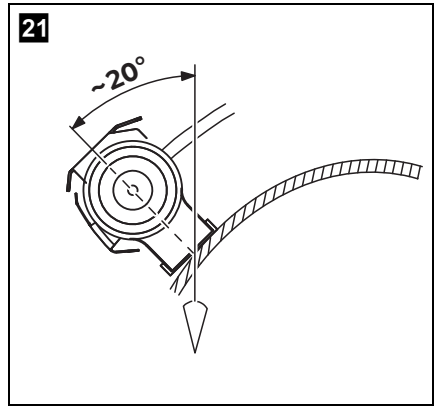
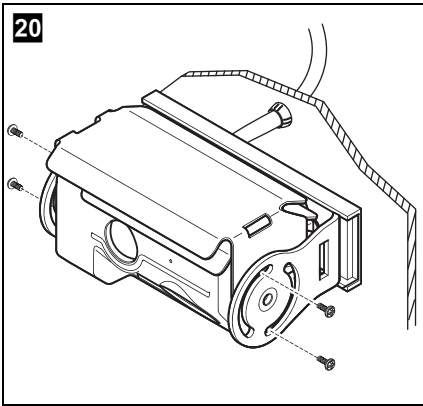
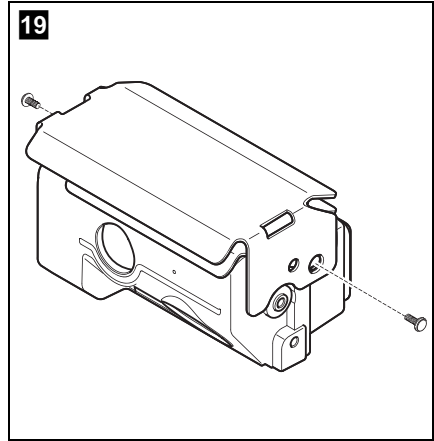
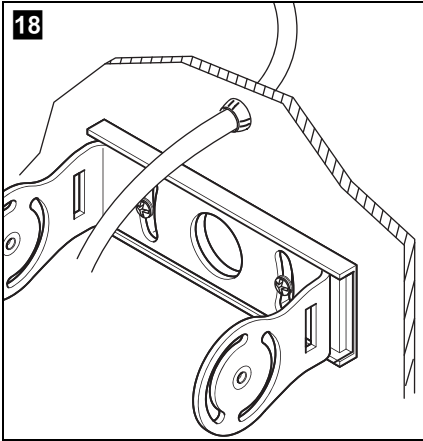




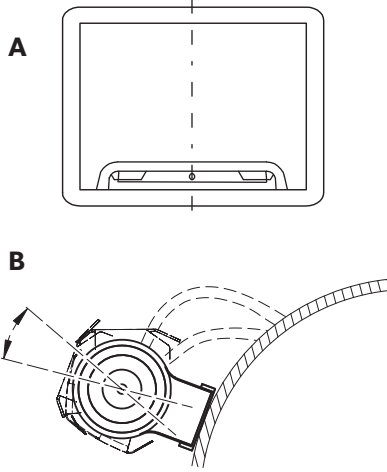


11**A****B****C****D****12****A****B****C****D****13****A****B****C****D**

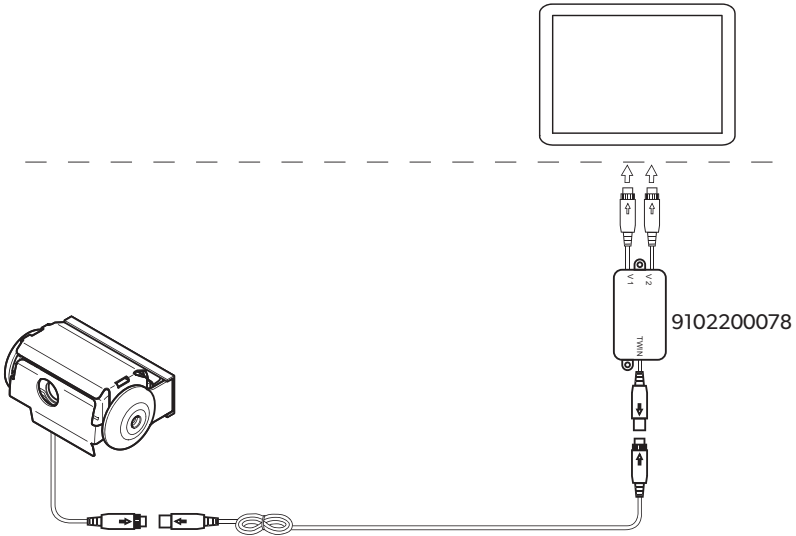




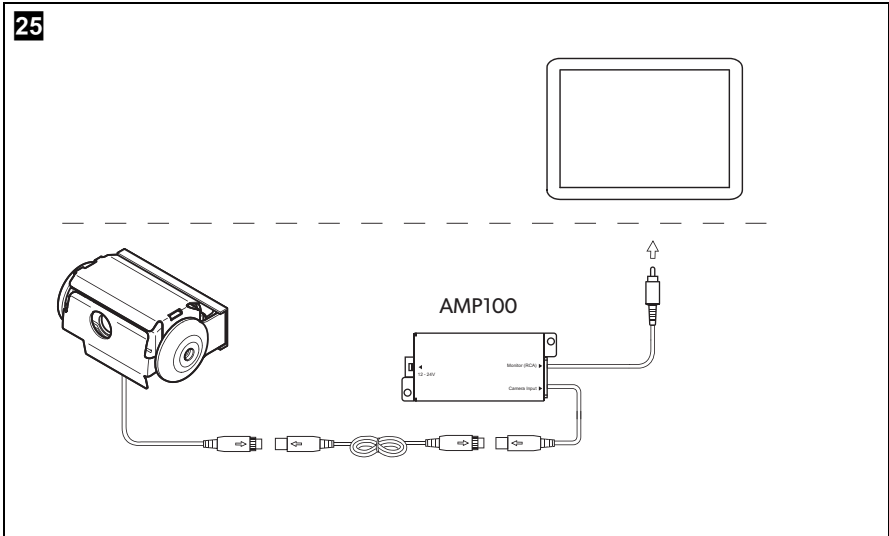
23



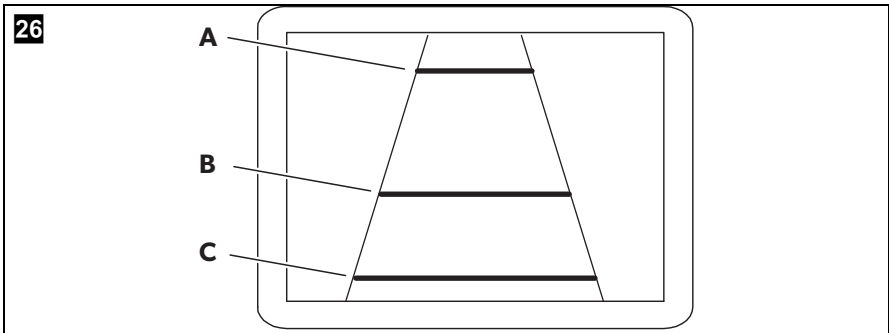
24



25



26



Please read this instruction manual carefully before installation and first use, and store it in a safe place. If you pass on the product to another person, hand over this instruction manual along with it.

Contents

1	Explanation of symbols	12
2	Safety and installation instructions	12
3	Scope of delivery	15
4	Accessories	15
5	Intended use	15
6	Technical description	16
7	Notes on the electrical connections	17
8	Fitting the camera	20
9	Using the camera	26
10	Cleaning and caring for the camera	26
11	Guarantee	26
12	Disposal	27
13	Technical data	27

1 Explanation of symbols

**WARNING!**

Safety instruction: Failure to observe this instruction can cause fatal or serious injury.

**CAUTION!**

Safety instruction: Failure to observe this instruction can lead to injury.

**NOTICE!**

Failure to observe this instruction can cause material damage and impair the function of the product.

**NOTE**

Supplementary information for operating the product.

2 Safety and installation instructions

Please observe the prescribed safety instructions and stipulations from the vehicle manufacturer and service workshops.

The manufacturer accepts no liability for damage in the following cases:

- Faulty assembly or connection
- Damage to the product resulting from mechanical influences and excess voltage
- Alterations to the product without express permission from the manufacturer
- Use for purposes other than those described in the operating manual

Please observe the following instructions:

- To prevent short circuits, always disconnect the negative terminal of the vehicle's electrical system before working on it.
If the vehicle has an additional battery, its negative terminal should also be disconnected.
- Insufficient supply line connections could result in short circuits which
 - Cause cable fires
 - Trigger the airbags
 - Damage electronic control devices
 - Cause electric functions to fail (indicators, brake light, horn, ignition, lights)

- When working on the following cables, only use insulated cable terminals, plugs and flat push-on receptacles:
 - 30 (direct supply from positive battery terminal)
 - 15 (connected positive terminal, behind the battery)
 - 31 (return cable from the battery, earth)
 - 58 (reversing light)

Do **not** use terminal strips.

- Use a crimping tool (fig. **1** 10, page 3) to connect the cables.
- Screw the cable for connections to cable 31 (earth)
 - Screw on the cable using a cable terminal and serrated washer to one of the vehicle's earth bolts or
 - Screw the cable to the bodywork using a cable terminal and a self-tapping screw

Make sure there is a good earth connection.

If you disconnect the negative terminal of the battery, the entire data stored in the volatile memories will be lost.

- The following data must be reset, depending on the vehicle equipment options:
 - Radio code
 - Vehicle clock
 - Timer
 - On-board computer
 - Seat position

You can find instructions for making these settings in the corresponding operating manual.

Observe the following installation instructions:

- Secure the parts of the camera installed in the vehicle in such a way that they cannot become loose under any circumstances (sudden braking, accidents) or cause **injuries to the occupants of the vehicle**.
- Secure any parts of the system covered by the bodywork in such a manner that they cannot become loose or damage other parts and cables or impair vehicle functions (steering, pedals, etc).
- To prevent damage when drilling, make sure there is sufficient space on the other side for the drill head to come out (fig. **2**, page 4).
- Deburr all drill holes and treat them with a rust-protection agent.

- Always follow the safety instructions of the vehicle manufacturer. Some work (e.g. on retention systems such as the AIRBAG etc.) may only be performed by qualified specialists.

Observe the following instructions when working with electrical parts:

- When testing the voltage in electrical cables, only use a diode test lamp (fig. **1** 8, page 3) or a voltmeter (fig. **1** 9, page 3). Test lamps with an illuminant (fig. **1** 12, page 3) consume voltages that are too high and can damage the vehicle's electronic system.
- When making electrical connections, ensure that:
 - They are not kinked or twisted
 - They do not rub on edges
 - They are not laid through sharp-edged ducts without protection (fig. **3**, page 4).
- Insulate all connections.
- Protect the cables from mechanical wear (for example rubbing against existing cables) using cable binders or insulating tape.

The camera is watertight. However, the seals on the camera cannot withstand a high-pressure cleaner (fig. **4**, page 4). Therefore, you should observe the following instructions when handling the camera:

- Do not open the camera, as this impairs the watertightness and the function of the camera (fig. **5**, page 4).
- Do not pull on the cables, as this impairs the watertightness and the function of the camera (fig. **6**, page 4).
- The camera is not suitable for use under water (fig. **7**, page 4)!

3 Scope of delivery

No. in fig. 8, page 5	Quantity	Description	Ref. no.
1	1	Camera with motorised protective cover	
2	2	Cover	
3	1	Camera guard	
4	1	Camera bracket	
5	1	Insulation pad	
6	1	CAM44 adapter box	9102200078
7	1	Extension cables	9102200030
–	1	Fastening material	

4 Accessories

Available as accessory (not included in scope of delivery):

Description	Ref. no.
AMP100 switch box	9600000210

5 Intended use

The CAM44 camera (item no. 9600000043) camera is designed primarily for use in vehicles. It can be used in rear view video systems to observe the space behind the vehicle from the driver's seat when manoeuvring or parking, for example.



WARNING!

Since rear view systems are designed merely as an additional aid for reversing, they do **not relieve you of the duty to take proper care when reversing.**

6 Technical description

The colour camera with integrated microphone is encased in an aluminium housing and transmits image and sound to a monitor via a cable. It has a close-up lens and a long-range lens. The infrared LEDs improve night vision.

The long-distance lens shows the space behind the vehicle as if you were looking through a rear window. You can switch it on when you are not reversing.

The close-up lens (reversing camera) is a wide-angle lens, which shows the area directly behind the vehicle. It is activated when you engage reverse gear.

The camera produces three distance marks in reversing mode which are shown on a connected colour monitor as coloured lines.

The CAM44 camera is equipped with a motorised cover to protect against dirt.



NOTE

The cameras were equipped with a reverse display at the factory. Any monitor that is connected therefore needs a normal picture function.

The camera consists of the following elements:

No. in fig. 9, page 5	Description
1	6-pin connection cable
2	Long-range lens
3	Infrared LEDs
4	Close-up lens (reversing camera)
5	Microphone

7 Notes on the electrical connections

7.1 Laying cables



NOTICE! Risk of damage!

- To prevent damage, when drilling ensure that there is sufficient space on the other side for the drill head to come out.
- Cables and connections which are not properly installed will cause malfunctions or damage to components. Correct installation of cables and connections is the basic prerequisite for lasting and trouble-free operation of the retrofitted components.
- The cables may not be exposed for long periods to solvents such as benzene, as the solvents can damage the cable.

Please therefore observe the following instructions:

- As far as possible, use original openings or alternative openings for the connecting cable duct, e.g. the paneling edges, ventilation grilles or blank panels. If no openings are available, you must drill holes for the cables. Check beforehand that there is sufficient room for the drill head to come out on the other side.
- Wherever possible, lay cables inside the vehicle, as they are better protected there than outside.
If you do need to lay a cable outside the vehicle, ensure that it is well fastened (use additional cable ties, insulating tape etc.).
- To prevent damage to the cables, when laying them, ensure that they are far enough away from hot or moving vehicle components (exhaust pipes, drive shafts, light systems, fans, heater etc.). Use corrugated piping or other protective materials to protect against mechanical wear.
- Screw on the plug connections of the connecting cables to protect against water penetration (fig. **10**, page 5).
- When laying the cables, make sure:
 - They are not kinked or twisted
 - They do not rub on edges
 - They are not laid through sharp-edged ducts without protection (fig. **3**, page 4).
- Attach the cables securely in the vehicles to prevent tripping hazards. Use cable binders, insulating tape or glue the cables in place.

- Protect every through-hole made in the bodywork against water penetration, e.g. by using a cable with a sealant and by spraying the cable and the cable sleeve with sealant.

**NOTE**

Only start sealing through-holes when you have completed all installation work on the camera and have laid the required cable lengths.

7.2 Using branch connectors

To prevent loose connections in the branch connectors, it is important to ensure that the cable cross sections fit into the branch connectors.

To use the branch connectors, proceed as follows:

- Insert the cable to be tapped in the front groove of the cable connector (fig. **11** A, page 6).
- Insert the end of the new cable up to approx. 3/4 of the way into the rear groove (fig. **11** B, page 6).
- Use a pair of combination pliers to close the connector by pressing the metal pin in. This creates an electrical connection (fig. **11** C, page 6).
- Press down the safety cap until it snaps into place.
- Check that the connection is secure by gently tugging the cable (fig. **11** D, page 6).

7.3 Creating clean soldering joints

Proceed as follows to solder a cable to the original cables:

- Strip approx. 10 mm of insulation from the end of the original cable (fig. **12** A, page 6).
- Strip approx. 15 mm of insulation from the end of the cable to be connected (fig. **12** B, page 6).
- Wind the cable to be connected around the original cable and solder the two cables together (fig. **12** C, page 6).
- Insulate the two cables with insulating tape (fig. **12** D, page 6).

Proceed as follows to solder two cables together:

- Strip the two cables (fig. **13** A, page 6).
- Place a shrink sleeve with a length of approx. 20 mm over the cable (fig. **13** B, page 6).
- Twist the cables together and solder them (fig. **13** C, page 6).
- Place a shrink sleeve over the soldered point and heat it briefly (fig. **13** D, page 6).

8 Fitting the camera

8.1 Tools required

For **installation and assembly** you will need the following tools:

- Drill bit set (fig. **1** 1, page 3)
- Drill (fig. **1** 2, page 3)
- Screwdriver (fig. **1** 3, page 3)
- Set of ring or open-ended spanners (see fig. **1** 4, page 3)
- Measuring ruler (fig. **1** 5, page 3)
- Hammer (fig. **1** 6, page 3)
- Centre punch (fig. **1** 7, page 3)

To establish and test the **electrical connection**, the following tools are required:

- Diode test lamp (fig. **1** 8, page 3) or voltmeter (fig. **1** 9, page 3)
- Insulating tape (fig. **1** 11, page 3)
- Cable bushing sleeves (optional)

To **fasten the cables** you may require additional cable binders.

8.2 Fitting the camera



CAUTION!

Select a location for the camera and attach it firmly enough so that it cannot under any circumstances fall off and injure bystanders (e.g. by being knocked off by branches brushing over the roof of the vehicle).



NOTE

If installing the camera alters the vehicle height or the length specified in the vehicle documents, your vehicle must be inspected by the appropriate authorities.

Make sure that you are in possession of vehicle documents verifying that your vehicle has passed this inspection.

Observe the following installation instructions:

- Fix the camera at a height of at least two metres for an adequate view. Make sure that you have a firm place from which to work when installing the camera.
- Make sure that the installation location of the camera is sufficiently firm (e. g. to prevent the camera from being knocked down by branches that may brush the roof of the vehicle).
- Mount the camera horizontally and in the middle of the rear of the vehicle (fig. **14**, page 7).
- Always use the supplied insulation pad (fig. **8** 5, page 5). This prevents residual current caused by a poor earth connections in the vehicle. Residual current can cause lines of interference in the picture or buzzing in the loudspeakers or even damage components.
- The most secure type of attachment is with screws fitted through the body. Please observe the following instructions:
 - There must be sufficient space behind the chosen installation location to be able to carry out the mounting procedure.
 - Suitable measures must be taken to prevent water penetrating through any holes made (e.g. by using screws and sealant and/or spraying the outer attachment parts with a sealant).
 - The location on the body where you wish to attach the camera must be rigid enough to allow the camera to be tightly fastened.
- Check beforehand that there is sufficient space on the other side for the drill head to come out (fig. **2**, page 4).
- If you are not sure about the location you have chosen, ask your vehicle manufacturer or dealer.

**NOTE**

We recommend greasing the threads of the screws to prevent corrosion.

To perform the installation, proceed as follows:

- Hold the camera holder at the chosen location and mark at least two different points for the drill holes (fig. **15**, page 7).
- Using a hammer and centre punch, gently pre-punch the previously marked points to prevent the drill head from slipping off.

If you want to screw on the camera with self-tapping screws (fig. 16, page 7)**NOTICE!**

Self-tapping screws may only be fastened to steel metal with a minimum thickness of 1.5 mm.

- Drill 4 mm diameter holes at the points you just marked.
- Deburr all drill holes and apply rust-protection.
- Stick the double-sided adhesive insulation (fig. 8 5, page 5) to the assembly side of the bracket.
The insulation plate serves as a seal and protects the paint.
- Screw the camera bracket on with the 5 x 20 mm self-tapping screws.

If you would like to attach the camera with threaded screws fitted through the construction (fig. 17, page 7)**NOTICE!**

When tightening the nuts, make sure that they cannot be pulled through the construction.
You may have to use bigger washers or plates.

- Drill 5.5 mm diameter holes at the points you just marked.
- Deburr all drill holes and apply rust-protection.
- Stick the double-sided adhesive insulation (fig. 8 5, page 5) to the assembly side of the bracket.
The insulation plate serves as a seal and protects the paint.
- Screw the camera holder on with the M5 x 20 mm threaded screws.
Depending on the thickness of the construction, you may require longer threaded screws.

Creating a through-hole for the camera connection cable (fig. 18, page 8)



NOTE

If possible, use available openings – such as ventilation grilles – to feed the connection cables through. If there are no existing openings, you must drill a hole with a 16 mm diameter.



NOTICE! Risk of damage!

Ensure that there is sufficient space on the other side for the drill head to come out

- Drill a hole of \varnothing 16 mm near the camera.
- Deburr all drill holes that have been made in the sheet metal and apply rust-protection.
- Place cable sleeves in all sharp-edged ducts.

Attaching the camera and camera guard



NOTICE!

Never mount the camera without the additional camera guard. To mount the camera guard, only use the M3 x 6 mm screws provided. Longer screws will damage the camera.

- Push the camera guard (fig. 8 3, page 5) over the camera in such a way that:
 - The fixing hole of the camera guard (fig. 19, page 8) is over the 3 mm thread of the camera.
 - The two other fixing holes (fig. 19, page 8) are over the 3 mm threads of the camera.
- Secure the camera guard with the two M3 x 6 mm screws in the hole (fig. 19, page 8).
- Push the camera into the bracket (fig. 20, page 8).



NOTICE!

Only use the screws supplied to mount the camera in the camera holder. Longer screws will damage the camera.

- Secure the camera **loosely** with the four M3 x 8 mm screws in the two other fixing holes (fig. 20, page 8).
The camera is now centred.

- Align the camera so that the lens is at an angle of approx. 20° to the vertical axis of the vehicle (fig. **21**, page 8).

**NOTE**

Do not tighten the four M3 x 8 mm screws until you have aligned the camera (see chapter “Checking the function and setting the camera” on page 25).

To do this you must first install and connect a monitor.

8.3 Connecting the camera

**NOTE**

- Lay the camera cable so that should you need to remove the camera, you can access the plug connection between the camera and the extension cable easily. This considerably eases dismantling work.
- To minimise corrosion in the plug, apply a small amount of grease – such as pin grease – inside the plug.

- Guide the camera cable into the vehicle interior.
- Insert the plug of the camera cable into the socket of the extension cable.
- Screw on the plug connections of the connecting cables to protect against water penetration (fig. **10**, page 5).

8.4 Connecting the 9102200078 switchbox (fig. **24**, page 9)

The switchbox is supplied ready for installation.

- Fasten the switchbox at a suitable point.
- Connect the control box electrically as follows:
 - Connect the camera inputs on the monitor to the “V1” and “V2” connections.
 - Connect the system cable from the camera to the “TWIN” connection.

The camera is switched on and off in reverse gear or using the camera selection button on the monitor.

8.5 Connecting the AMP100 switchbox (fig. 25, page 10)



NOTE

If you would like to use both camera modules when driving forwards, you will need to fit the flip switch supplied (see the installation and operating manual for AMP100).

The switch box (not included in delivery) is ready for installation.

- Mount the switchbox as described in the corresponding installation and operating manual.



NOTE

Output "2" on the switchbox is an auxiliary output, e.g. for connecting an external monitor.

- Connect the switchbox electrically as described in the corresponding installation and operating manual.

8.6 Checking the function and setting the camera



NOTE

The distance values of the distance markers (see chapter "Estimating distances" on page 26) only apply when the camera is installed at a height of approx. 230 – 250 cm.

Check the actual installation height once you have installed the camera. If the installation height deviates from these values, determine the actual distance values for the distance markers.

- Check the function of the camera after you have connected it to a monitor.
- Align the camera using the image on the monitor to help you:
The monitor image should show the rear or the bumper of the vehicle at the bottom edge of the screen. The middle of the bumper should be in the middle of the screen (fig. 23, page 9).
- Tighten the four fastening screws of the camera.
- Place the side covers on and secure each one with a fastening screw (fig. 22, page 8).

Settings for contrast and brightness can be made on the monitor.

9 Using the camera

9.1 Estimating distances

The camera produces three distance marks in reversing mode which are shown on a connected colour monitor as coloured lines (fig. **26**, page 10).

The lines make it easier to estimate the distance of the vehicle to an obstacle.

When the camera is installed at a height of approx. 230–250 cm, the lines show the following distances:

Colour	Distance
Green (A)	approx. 3 m
Yellow (B)	approx. 1 m
Red (C)	approx. 0.3 m

10 Cleaning and caring for the camera



NOTICE!

Do not use any sharp or hard objects for cleaning since they may damage the device.

- Clean the camera with a soft, damp cloth from time to time.

11 Guarantee

The statutory warranty period applies. If the product is defective, please contact the manufacturer's branch in your country (see the back of the instruction manual for the addresses) or your retailer.

For repair and guarantee processing, please send the following items:

- Defect components
- A copy of the receipt with purchasing date
- A reason for the claim or description of the fault


12 Disposal

- Place the packaging material in the appropriate recycling waste bins wherever possible.



If you wish to finally dispose of the product, ask your local recycling centre or specialist dealer for details about how to do this in accordance with the applicable disposal regulations.

13 Technical data

	PerfectView CAM44
Ref. no.:	9600000043
Image sensor:	Long-range: 1/4" Color CMOS Sensor approx. 290000 pixels, 648(H) x 488(V) Close-up: 1/3" CMOS, 762(H) x 504(V)
TV system:	PAL
Sensitivity:	< 1 lux or 0.0 lux with IR LED (close-up)
Viewing angle:	Long-distance lens: approx. 50° Close-up lens: approx. 140° diagonal
Microphone sensitivity:	Approx. 56 dB
Storage temperature:	-30 °C to +85 °C
Operating temperature:	-30 °C to +70 °C
Operating voltage:	12 – 16 V $\overline{=}$
Consumption:	max. 4 W
Dimensions W x H x D (with holder):	114 x 74 x 62 mm
Weight:	Approx. 360 g
Certification	

Bitte lesen Sie diese Anleitung vor Einbau und Inbetriebnahme sorgfältig durch und bewahren Sie sie auf. Geben Sie sie im Falle einer Weitergabe des Produktes an den Nutzer weiter.

Inhaltsverzeichnis

1	Erklärung der Symbole	29
2	Sicherheits- und Einbauhinweise	29
3	Lieferumfang	32
4	Zubehör	32
5	Bestimmungsgemäßer Gebrauch	32
6	Technische Beschreibung	33
7	Hinweise zum elektrischen Anschluss	34
8	Kamera montieren	36
9	Kamera verwenden	43
10	Kamera pflegen und reinigen	43
11	Gewährleistung	43
12	Entsorgung	44
13	Technische Daten	44

1 Erklärung der Symbole

**WARNUNG!**

Sicherheitshinweis: Nichtbeachtung kann zu Tod oder schwerer Verletzung führen.

**VORSICHT!**

Sicherheitshinweis: Nichtbeachtung kann zu Verletzungen führen.

**ACHTUNG!**

Nichtbeachtung kann zu Materialschäden führen und die Funktion des Produktes beeinträchtigen.

**HINWEIS**

Ergänzende Informationen zur Bedienung des Produktes.

2 Sicherheits- und Einbauhinweise

Beachten Sie die vom Fahrzeughersteller und vom Kfz-Handwerk vorgeschriebenen Sicherheitshinweise und Auflagen!

Der Hersteller übernimmt in folgenden Fällen keine Haftung für Schäden:

- Montage- oder Anschlussfehler
- Beschädigungen am Produkt durch mechanische Einflüsse und Überspannungen
- Veränderungen am Produkt ohne ausdrückliche Genehmigung vom Hersteller
- Verwendung für andere als die in der Anleitung beschriebenen Zwecke

Beachten Sie deshalb folgende Hinweise:

- Klemmen Sie wegen der Kurzschlussgefahr vor Arbeiten an der Fahrzeugelektrik immer den Minuspol ab.
Bei Fahrzeugen mit Zusatzbatterie müssen Sie an dieser ebenfalls den Minuspol abklemmen.

- Unzureichende Leitungsverbindungen können zur Folge haben, dass durch Kurzschluss
 - Kabelbrände entstehen,
 - der Airbag ausgelöst wird,
 - elektronische Steuerungseinrichtungen beschädigt werden,
 - elektrische Funktionen ausfallen (Blinker, Bremslicht, Hupe, Zündung, Licht).
- Verwenden Sie bei Arbeiten an den folgenden Leitungen nur isolierte Kabelschuhe, Stecker und Flachsteckhülsen:
 - 30 (Eingang von Batterie Plus direkt),
 - 15 (Geschaltetes Plus, hinter Batterie),
 - 31 (Rückleitung ab Batterie, Masse),
 - 58 (Rückfahrcheinwerfer).

Verwenden Sie **keine** Lüsterklemmen.

- Verwenden Sie eine Krimpzange (Abb. **1** 10, Seite 3) zum Verbinden der Kabel.
- Schrauben Sie das Kabel bei Anschlüssen an Leitung 31 (Masse)
 - mit Kabelschuh und Zahnscheibe an eine fahrzeugeigene Masseschraube oder
 - mit Kabelschuh und Blechschraube an das Karosserieblech.

Achten Sie auf eine gute Masseübertragung!

Beim Abklemmen des Minuspols der Batterie verlieren alle flüchtigen Speicher der Komfortelektronik ihre gespeicherten Daten.

- Folgende Daten müssen Sie je nach Fahrzeugausstattung neu einstellen:
 - Radiocode
 - Fahrzeuguhr
 - Zeitschaltuhr
 - Bordcomputer
 - Sitzposition

Hinweise zur Einstellung finden Sie in der jeweiligen Bedienungsanleitung.

Beachten Sie folgende Hinweise bei der Montage:

- Befestigen Sie die im Fahrzeug montierten Teile der Kamera so, dass sie sich unter keinen Umständen (scharfes Abbremsen, Verkehrsunfall) lösen und zu **Verletzungen der Fahrzeuginsassen** führen können.
- Befestigen Sie verdeckt unter Verkleidungen anzubringende Teile des Systems so, dass sie sich nicht lösen oder andere Teile und Leitungen beschädigen und keine Fahrzeugfunktionen (Lenkung, Pedale usw.) beeinträchtigen können.

- Achten Sie beim Bohren auf ausreichenden Freiraum für den Bohreraustritt, um Schäden zu vermeiden (Abb. **2**, Seite 4).
- Entgraten Sie jede Bohrung und behandeln Sie diese mit Rostschutzmittel.
- Beachten Sie immer die Sicherheitshinweise des Fahrzeugherstellers. Einige Arbeiten (z. B. an Rückhaltesystemen wie AIRBAG usw.) dürfen nur von geschultem Fachpersonal durchgeführt werden.

Beachten Sie folgende Hinweise bei der Arbeit an elektrischen Teilen:

- Benutzen Sie zum Prüfen der Spannung in elektrischen Leitungen nur eine Diodenprüflampe (Abb. **1** 8, Seite 3) oder ein Voltmeter (Abb. **1** 9, Seite 3). Prüflampen mit einem Leuchtkörper (Abb. **1** 12, Seite 3) nehmen zu hohe Ströme auf, wodurch die Fahrzeugelektronik beschädigt werden kann.
- Beachten Sie beim Verlegen der elektrischen Anschlüsse, dass diese
 - nicht geknickt oder verdreht werden,
 - nicht an Kanten scheuern,
 - nicht ohne Schutz durch scharfkantige Durchführungen verlegt werden (Abb. **3**, Seite 4).
- Isolieren Sie alle Verbindungen und Anschlüsse.
- Sichern Sie die Kabel gegen mechanische Beanspruchung durch Kabelbinder oder Isolierband, z. B. an vorhandenen Leitungen.

Die Kamera ist wasserdicht. Die Dichtungen der Kamera halten aber nicht einem Hochdruckreiniger stand (Abb. **4**, Seite 4). Beachten Sie deshalb folgende Hinweise zum Umgang mit der Kamera:

- Öffnen Sie die Kamera nicht, da dieses ihre Dichtigkeit und die Funktionsfähigkeit beeinträchtigt (Abb. **5**, Seite 4).
- Ziehen Sie nicht an den Kabeln, da dieses die Dichtigkeit und die Funktionsfähigkeit der Kamera beeinträchtigt (Abb. **6**, Seite 4).
- Die Kamera ist nicht für den Betrieb unter Wasser geeignet (Abb. **7**, Seite 4).

3 Lieferumfang

Nr. Abb. 8, Seite 5	Menge	Bezeichnung	Artikel-Nr.
1	1	Kamera mit motorbetriebener Schutzklappe	
2	2	Abdeckung	
3	1	Kameraschutz	
4	1	Kamerahalter	
5	1	Isolierunterlage	
6	1	Adapterbox CAM44	9102200078
7	1	Verlängerungskabel	9102200030
-	1	Befestigungsmaterial	

4 Zubehör

Als Zubehör erhältlich (nicht im Lieferumfang enthalten):

Bezeichnung	Artikel-Nr.
Schaltbox AMP100	9600000210

5 Bestimmungsgemäßer Gebrauch

Die Kamera CAM44 (Art.-Nr. 9600000043) ist vorrangig für den Einsatz in Fahrzeugen gedacht. Sie ist einsetzbar in Rückfahrvideosystemen, die zur Beobachtung des Bereiches direkt hinter dem Fahrzeug vom Fahrersitz aus dienen, z. B. beim Rangieren oder Einparken.



WARNING!

Rückfahrvideosysteme stellen eine Unterstützung beim Rückwärtsfahren dar, sie entbinden Sie jedoch **nicht** von **der besonderen Vorsichtspflicht beim Rückwärtsfahren**.

6 Technische Beschreibung

Die Farbkamera mit integriertem Mikrofon ist in einem Aluminiumgehäuse untergebracht und überträgt Bild und Ton über ein Kabel zu einem Monitor. Sie besitzt ein Fern- und ein Nahsicht-Objektiv. Durch die Infrarot-LEDs wird die Nachtsicht verbessert.

Das Fernsicht-Objektiv zeigt den Raum hinter dem Fahrzeug, als ob Sie aus einem Rückfenster sehen. Sie können es einschalten, wenn Sie nicht im Rückwärtsgang fahren.

Das Nahsicht-Objektiv (Rückfahrkamera) ist ein Weitwinkel-Objektiv, das den Raum direkt hinter dem Fahrzeug zeigt. Es wird durch Einlegen des Rückwärtsgangs eingeschaltet.

Die Kamera erzeugt im Rückfahrmodus drei Abstandsmarken, die in einem angeschlossenen Farbmonitor als farbige Linien angezeigt werden.

Die Kamera CAM44 ist mit einer motorbetriebenen Schutzklappe gegen Verschmutzung ausgestattet.



HINWEIS

Die Kameras sind werkseitig mit einer spiegelbildlichen Darstellung ausgestattet. Ein angeschlossener Monitor muss daher mit einer Normalbild-Funktion arbeiten.

Die Kamera besteht aus folgenden Elementen:

Nr. in Abb. 9, Seite 5	Bezeichnung
1	6-poliges Anschlusskabel
2	Fernsicht-Objektiv
3	Infrarot-LEDs
4	Nahsicht-Objektiv (Rückfahrkamera)
5	Mikrofon

7 Hinweise zum elektrischen Anschluss

7.1 Kabel verlegen



ACHTUNG! Beschädigungsgefahr!

- Wenn Sie Löcher bohren, prüfen Sie vorher, ob ausreichender Freiraum für den Bohreraustritt vorhanden ist.
- Nicht fachgerechte Kabelverlegungen und Kabelverbindungen führen immer wieder zu Fehlfunktionen oder Beschädigungen von Bauteilen. Eine korrekte Kabelverlegung bzw. Kabelverbindung ist die Grundvoraussetzung für eine dauerhafte und fehlerfreie Funktion der nachgerüsteten Komponenten.
- Die Kabel dürfen nicht über längere Zeit mit Lösungsmitteln wie z. B. Benzin in Berührung kommen, da Lösungsmittel die Kabel beschädigen würden.

Beachten Sie deshalb folgende Hinweise:

- Verwenden Sie für die Durchführung der Anschlusskabel nach Möglichkeit Originaldurchführungen oder andere Durchführungsmöglichkeiten, z. B. Verkleidungskanten, Lüftungsgitter oder Blindschalter. Wenn keine Durchführungen vorhanden sind, müssen Sie für die jeweiligen Kabel entsprechende Löcher bohren. Schauen Sie vorher nach, ob ausreichender Freiraum für den Bohreraustritt vorhanden ist.
- Verlegen Sie die Kabel nach Möglichkeit immer im Fahrzeuginneren, denn dort sind sie besser geschützt als außen am Fahrzeug. Wenn Sie die Kabel trotzdem außerhalb des Fahrzeuges verlegen, achten Sie auf eine sichere Befestigung (durch zusätzliche Kabelbinder, Isolierband usw.).
- Um Beschädigungen am Kabel zu vermeiden, halten Sie beim Verlegen der Kabel immer ausreichend Abstand zu heißen und sich bewegenden Fahrzeugteilen (Auspuffrohre, Antriebswellen, Lichtmaschine, Lüfter, Heizung usw.). Verwenden Sie zum mechanischen Schutz Wellrohr oder ähnliche Schutzmaterialien.
- Verschrauben Sie die Steckverbindungen der Verbindungskabel zum Schutz gegen das Eindringen von Wasser (Abb. **10**, Seite 5).
- Beachten Sie beim Verlegen der Kabel, dass diese
 - nicht stark geknickt oder verdreht werden,
 - nicht an Kanten scheuern,
 - nicht ohne Schutz durch scharfkantige Durchführungen verlegt werden (Abb. **3**, Seite 4).

- Befestigen Sie die Kabel sicher im Fahrzeug, um ein Verfangen (Sturzgefahr) zu vermeiden. Dieses kann erfolgen durch den Einsatz von Kabelbindern, Isolierband oder durch Ankleben mit Klebstoff.
- Schützen Sie jeden Durchbruch an der Außenhaut durch geeignete Maßnahmen gegen Wassereintrich, z. B. durch Einsetzen des Kabels mit Dichtungsmasse und durch Abspritzen des Kabels und der Durchführungstülle mit Dichtungsmasse.

**HINWEIS**

Beginnen Sie mit dem Abdichten der Durchbrüche erst, nachdem alle Einstellarbeiten an der Kamera abgeschlossen sind und die benötigten Längen der Anschlusskabel festliegen.

7.2 Abzweigverbinder verwenden

Um Wackelkontakte bei den Abzweigverbindungen zu vermeiden, achten Sie darauf, dass die Kabelquerschnitte zu den Abzweigverbindern passen. Gehen Sie wie folgt vor, um die Abzweigverbinder zu verwenden:

- Legen Sie das Kabel, das angezapft werden soll, in die vordere Rille des Abzweigverbinders (Abb. **11** A, Seite 6).
- Legen Sie das neue Kabel mit dem Ende zu ca. 3/4 in die hintere Rille (Abb. **11** B, Seite 6).
- Schließen Sie den Verbinder und drücken Sie mit einer Kombizange den Metallsteg in den Verbinder, so dass eine Stromverbindung hergestellt wird (Abb. **11** C, Seite 6).
- Drücken Sie die Schutzkappe herunter und lassen Sie sie am Verbinder einrasten.
- Prüfen Sie die Befestigung der Abzweigverbindung durch Ziehen am Kabel (Abb. **11** D, Seite 6).

7.3 Korrekte Lötverbindungen erstellen

Gehen Sie wie folgt vor, um ein Kabel an Originalleitungen anzulöten:

- Isolieren Sie 10 mm aus der Originalleitung ab (Abb. **12** A, Seite 6).
- Isolieren Sie 15 mm vom anzuschließenden Kabel ab (Abb. **12** B, Seite 6).
- Wickeln Sie das anzuschließende Kabel um die Originalleitung und verlöten Sie die beiden Kabel (Abb. **12** C, Seite 6).
- Isolieren Sie die Kabel mit Isolierband (Abb. **12** D, Seite 6).

Gehen Sie wie folgt vor, um zwei Kabel miteinander zu verbinden:

- Isolieren Sie beide Kabel ab (Abb. **13** A, Seite 6).
- Ziehen Sie einen Schrumpfschlauch von ca. 20 mm Länge über ein Kabel (Abb. **13** B, Seite 6).
- Verdrehen Sie beide Kabel miteinander und verlöten Sie sie (Abb. **13** C, Seite 6).
- Schieben Sie den Schrumpfschlauch über die Lötstelle und erwärmen sie ihn leicht (Abb. **13** D, Seite 6).

8 Kamera montieren

8.1 Benötigtes Werkzeug

Für **Einbau und Montage** benötigen Sie folgende Werkzeuge:

- Satz Bohrer (Abb. **1** 1, Seite 3)
- Bohrmaschine (Abb. **1** 2, Seite 3)
- Schraubendreher (Abb. **1** 3, Seite 3)
- Satz Ring- oder Maulschlüssel (Abb. **1** 4, Seite 3)
- Maßstab (Abb. **1** 5, Seite 3)
- Hammer (Abb. **1** 6, Seite 3)
- Körner (Abb. **1** 7, Seite 3)

Für den **elektrischen Anschluss** und seine Überprüfung benötigen Sie folgende Hilfsmittel:

- Diodenprüflampe (Abb. **1** 8, Seite 3) oder Voltmeter (Abb. **1** 9, Seite 3)
- Isolierband (Abb. **1** 11, Seite 3)
- Ggf. Kabeldurchführungstüllen

Zur **Befestigung der Kabel** benötigen Sie ggf. noch weitere Kabelbinder.

8.2 Kamera montieren



VORSICHT!

Wählen Sie den Platz der Kamera so und befestigen Sie diese so sicher, dass unter keinen Umständen in der Nähe stehende Personen verletzt werden können, z. B. weil über das Fahrzeugdach streifende Äste die Kamera abreißen.



HINWEIS

Wenn durch den Anbau der Kamera die in den Fahrzeugpapieren eingetragene Fahrzeughöhe oder Fahrzeuglänge verändert wird, muss eine neue Abnahme durch die zuständigen Stellen (TÜV, DEKRA usw.) erfolgen. Lassen Sie die neue Abnahme durch Ihr zuständiges Straßenverkehrsamt in die Fahrzeugpapiere eintragen.

Beachten Sie folgende Hinweise bei der Montage:

- Bringen Sie die Kamera für einen vernünftigen Blickwinkel in mindestens zwei Metern Höhe an.
Achten Sie bei der Montage auf einen ausreichend standfesten Arbeitsplatz.
- Achten Sie darauf, dass der Montageort der Kamera ausreichende Festigkeit bietet (z. B. können sich über das Fahrzeugdach streifende Äste in der Kamera verfangen).
- Montieren Sie die Kamera waagrecht und mittig am Heck des Fahrzeuges (Abb. **14**, Seite 7).
- Verwenden Sie unbedingt die mitgelieferte Isolierunterlage (Abb. **8** 5, Seite 5). Hierdurch werden Fehlerströme aufgrund schlechter Masseverbindungen im Fahrzeug verhindert. Streifen im Bild oder Brummen im Lautsprecher bis hin zu Beschädigungen sind Folgen von Fehlerströmen.
- Die sicherste Art der Befestigung sind Schrauben, die durch den Aufbau gehen. Beachten Sie dabei folgende Hinweise:
 - Hinter der gewählten Montageposition muss ausreichend Freiraum für die Montage vorhanden sein.
 - Jeder Durchbruch muss durch geeignete Maßnahmen gegen Wassereinbruch geschützt werden (z. B. durch Einsetzen der Schrauben mit Dichtungsmasse und/oder Abspritzen der äußeren Befestigungsteile mit Dichtungsmasse).
 - Der Aufbau an der Befestigungsstelle muss genügend Festigkeit bieten, damit sich der Kamerahalter genügend fest anziehen lässt.
- Kontrollieren Sie vorher, ob ausreichender Freiraum für den Bohreraustritt vorhanden ist (Abb. **2**, Seite 4).

- Wenn Sie sich nicht sicher über den von Ihnen gewählten Montageort sind, erkundigen Sie sich beim Aufbauhersteller oder dessen Vertretung.

**HINWEIS**

Um die Korrosion der Schrauben zu minimieren, fetten Sie die Gewinde ein.

Gehen Sie bei der Montage wie folgt vor:

- Halten Sie den Kamerahalter an den gewählten Montageort und markieren Sie mindestens zwei verschiedene Bohrpunkte (Abb. **15**, Seite 7).
- Körnen Sie an den zuvor angezeichneten Punkten mit Hammer und Körner vor, um ein Verlaufen des Bohrers zu verhindern.

Wenn Sie die Kamera mit Blechschrauben anschrauben möchten (Abb. **16, Seite 7):****ACHTUNG!**

Die Befestigung mit Blechschrauben darf nur in Stahlblechen mit einer Mindestdicke von 1,5 mm erfolgen.

- Bohren Sie an den zuvor angezeichneten Punkten jeweils ein Loch von \varnothing 4 mm.
- Entgraten Sie alle Bohrlöcher und versehen Sie sie mit Rostschutz.
- Kleben Sie die doppelseitig klebende Isolierunterlage (Abb. **8** 5, Seite 5) auf die Montageseite der Halterung.
Die Isolierplatte dient auch als Dichtung und Lackschutz.
- Schrauben Sie den Kamerahalter mit den Blechschrauben 5 x 20 mm an.

Wenn Sie die Kamera mit Gewindeschrauben durch den Aufbau befestigen möchten (Abb. 17, Seite 7)



ACHTUNG!

Achten Sie darauf, dass sich die Muttern beim Anziehen nicht durch den Aufbau ziehen können. Verwenden Sie ggf. größere Unterlegscheiben oder Blechplatten.

- Bohren Sie an den zuvor angezeichneten Punkten jeweils ein Loch von $\varnothing 5,5$ mm.
- Entgraten Sie alle Bohrlöcher und versehen Sie sie mit Rostschutz.
- Kleben Sie die doppelseitig klebende Isolierunterlage (Abb. 8 5, Seite 5) auf die Montageseite der Halterung.
Die Isolierplatte dient auch als Dichtung und Lackschutz.
- Schrauben Sie den Kamerahalter mit den Gewindeschrauben M5 x 20 mm an.
Je nach Aufbaustärke benötigen Sie längere Gewindeschrauben.

Durchbruch für das Anschlusskabel der Kamera anfertigen (Abb. 18, Seite 8)



HINWEIS

Verwenden Sie für die Durchführung der Anschlusskabel nach Möglichkeit vorhandene Durchführungsmöglichkeiten, z. B. Lüftungsgitter. Wenn keine Durchführungen vorhanden sind, müssen Sie ein Loch von $\varnothing 16$ mm bohren.



ACHTUNG! Beschädigungsgefahr!

Kontrollieren Sie vorher, ob ausreichender Freiraum für den Bohrer-austritt vorhanden ist.

- Bohren Sie in der Nähe der Kamera ein Loch von $\varnothing 16$ mm.
- Entgraten Sie alle Bohrlöcher, die im Blech gefertigt sind, und versehen Sie sie mit Rostschutz.
- Versehen Sie alle scharfkantigen Durchführungen mit einer Durchführungstülle.

Kamera und Kameraschutz befestigen



ACHTUNG!

Montieren Sie die Kamera nie ohne den zusätzlichen Kameraschutz. Verwenden Sie zur Montage des Kameraschutzes nur die mitgelieferten Schrauben M3 x 6 mm. Längere Schrauben beschädigen die Kamera.

- Schieben Sie den Kameraschutz (Abb. **8**, 3, Seite 5) so über die Kamera
 - dass die Befestigungsbohrung des Kameraschutzes (Abb. **19**, Seite 8) über dem 3-mm-Gewinde der Kamera liegt
 - dass die beiden anderen Befestigungsbohrungen (Abb. **19**, Seite 8) über den 3-mm-Gewinden der Kamera liegen.
- Befestigen Sie den Kameraschutz mit den beiden Schrauben M3 x 6 mm in der Befestigungsbohrung (Abb. **19**, Seite 8).
- Schieben Sie die Kamera in den Kamerahalter (Abb. **20**, Seite 8) ein.



ACHTUNG!

Verwenden Sie zur Montage der Kamera im Kamerahalter nur die mitgelieferten Schrauben. Längere Schrauben beschädigen die Kamera.

- Befestigen Sie die Kamera **lose** mit den vier Schrauben M3 x 8 mm in beiden anderen Befestigungsbohrungen (Abb. **20**, Seite 8).
Die Kamera ist nun zentriert.
- Richten Sie die Kamera so aus, dass das Objektiv einen Winkel von ca. 20° zur senkrechten Achse des Fahrzeugs bildet (Abb. **21**, Seite 8).



HINWEIS

Die vier Schrauben M3 x 8 mm werden erst festgezogen, wenn Sie die Kamera ausgerichtet haben (siehe Kapitel „Funktion prüfen und Kamera einstellen“ auf Seite 42). Hierzu müssen Sie aber ggf. erst noch einen Monitor montieren und elektrisch anschließen.

8.3 Kamera anschließen



HINWEIS

- Verlegen Sie das Kamerakabel so, dass Sie bei einem eventuell notwendigen Ausbau der Kamera leicht an die Steckerverbindung zwischen Kamera und Verlängerungskabel kommen. Die Demontage wird dadurch erheblich vereinfacht.
- Um Korrosion im Stecker zu minimieren, geben Sie etwas Fett, z. B. Polfett, in einen der Stecker.

- Führen Sie das Kamerakabel ins Fahrzeuginnere.
- Stecken Sie den Stecker des Kamerakabels in die Steckbuchse des Verlängerungskabels.
- Verschrauben Sie die Steckverbindung zum Schutz gegen das Eindringen von Wasser (Abb. **10**, Seite 5).

8.4 Schaltbox 9102200078 anschließen (Abb. **24**, Seite 9)

Die Schaltbox ist montagefertig vorbereitet.

- Befestigen Sie die Schaltbox an einer geeigneten Stelle.
- Schließen Sie die Schaltbox elektrisch wie folgt an:
 - Schließen Sie die Kameraeingänge des Monitores an die Anschlüsse „V1“ und „V2“ an.
 - Schließen Sie das Systemkabel der Kamera am Anschluss „TWIN“ an.

Die Kamera wird über den Rückwärtsgang oder die Kamerawahltaste am Monitor ein- bzw. ausgeschaltet.

8.5 Schaltbox AMP100 anschließen (Abb. 25, Seite 10)



HINWEIS

Wenn Sie beide Kameramodule bei der Vorwärtsfahrt nutzen möchten, müssen Sie den mitgelieferten Kippschalter montieren (siehe Montage- und Bedienungsanleitung für AMP100).

Die Schaltbox (nicht im Lieferumfang enthalten) ist montagefertig vorbereitet.

- Montieren Sie die Schaltbox wie in der zugehörigen Montage- und Bedienungsanleitung beschrieben.



HINWEIS

Der Ausgang „2“ der Schaltbox ist ein Hilfsausgang, um z. B. einen Fremdmonitor anzuschließen.

- Schließen Sie die Schaltbox elektrisch an wie in der zugehörigen Montage- und Bedienungsanleitung beschrieben.

8.6 Funktion prüfen und Kamera einstellen



HINWEIS

Die Entfernungswerte der Abstandsmarken (siehe Kapitel „Entfernungen einschätzen“ auf Seite 43) gelten nur dann, wenn die Kamera in einer Höhe von ca. 230–250 cm montiert wurde. Überprüfen Sie nach dem Einbau der Kamera die tatsächliche Montagehöhe. Weicht die Montagehöhe von diesen Werten ab, ermitteln Sie die tatsächlichen Entfernungswerte für die Abstandsmarken.

- Prüfen Sie die Funktion der Kamera, nachdem Sie sie an einen Monitor angeschlossen haben.
- Richten Sie die Kamera gegebenenfalls anhand des Monitorbildes aus:
Das Monitorbild sollte am unteren Bildrand das Heck bzw. die Stoßstange Ihres Fahrzeuges zeigen. Die Mitte der Stoßstange sollte auch in der Mitte des Monitorbildes sein (Abb. 23, Seite 9).
- Ziehen Sie die vier Befestigungsschrauben der Kamera fest.
- Setzen Sie die seitlichen Abdeckungen auf und sichern Sie diese mit jeweils einer Befestigungsschraube (Abb. 22, Seite 8).

Einstellungen wie Kontrast und Helligkeit nehmen Sie am Monitor vor.

9 Kamera verwenden

9.1 Entfernungen einschätzen

Die Kamera erzeugt im Rückfahrmodus drei Abstandsmarken, die in einem angeschlossenen Farbmonitor als farbige Linien angezeigt werden (Abb. **26**, Seite 10).

Die Linien erleichtern die Einschätzung der Entfernung des Fahrzeuges zu einem Hindernis.

Wenn die Kamera in einer Höhe von ca. 230–250 cm montiert ist, zeigen die Linien folgende Entfernungen an:

Farbe	Entfernung
grün (A)	ca. 3 m
gelb (B)	ca. 1 m
rot (C)	ca. 0,3 m

10 Kamera pflegen und reinigen



ACHTUNG!

Keine scharfen oder harten Mittel zur Reinigung verwenden, da dies zu einer Beschädigung des Geräts führen kann.

- Reinigen Sie die Kamera gelegentlich mit einem weichen, feuchten Tuch.

11 Gewährleistung

Es gilt die gesetzliche Gewährleistungsfrist. Sollte das Produkt defekt sein, wenden Sie sich bitte an die Niederlassung des Herstellers in Ihrem Land (Adressen siehe Rückseite der Anleitung) oder an Ihren Fachhändler.

Zur Reparatur- bzw. Gewährleistungsbearbeitung müssen Sie Folgendes einschicken:

- defekte Komponenten,
- eine Kopie der Rechnung mit Kaufdatum,
- einen Reklamationsgrund oder eine Fehlerbeschreibung.


12 Entsorgung

- Geben Sie das Verpackungsmaterial möglichst in den entsprechenden Recycling-Müll.



Wenn Sie das Produkt endgültig außer Betrieb nehmen, informieren Sie sich bitte beim nächsten Recyclingcenter oder bei Ihrem Fachhändler über die zutreffenden Entsorgungsvorschriften.

13 Technische Daten

	PerfectView CAM44
Art.-Nr.:	9600000043
Bildsensor:	Fernsicht: 1/4" Color CMOS Sensor, ca. 290000 Pixel, 648(H) x 488(V) Nahsicht: 1/3" CMOS, 762(H) x 504(V)
TV-System:	PAL
Empfindlichkeit:	< 1 Lux oder 0,0 Lux mit IR LED (Nahsicht)
Blickwinkel:	Fernsicht-Objektiv: ca. 50° Nahsicht-Objektiv: ca. 140° diagonal
Mikrofonempfindlichkeit:	ca. 56 dB
Lagertemperatur:	-30 °C bis +85 °C
Betriebstemperatur:	-30 °C bis +70 °C
Betriebsspannung:	12-16 V===
Verbrauch:	max. 4 W
Abmessungen B x H x T (mit Halter):	114 x 74 x 62 mm
Gewicht:	ca. 360 g
Zulassungen:	

Veillez lire attentivement cette notice avant le montage et la mise en service. Veillez ensuite la conserver. En cas de passer le produit, veuillez le transmettre au nouvel acquéreur.

Sommaire

1	Explication des symboles	46
2	Consignes de sécurité et instructions de montage	46
3	Contenu de la livraison	49
4	Accessoires	49
5	Usage conforme	49
6	Description technique	50
7	Remarques concernant le raccordement électrique	51
8	Montage de la caméra	54
9	Utilisation de la caméra	60
10	Entretien et nettoyage de la caméra	61
11	Garantie	61
12	Retraitement	61
13	Caractéristiques techniques	62

1 Explication des symboles

**AVERTISSEMENT !**

Consigne de sécurité : le non-respect de ces consignes peut entraîner la mort ou de graves blessures.

**ATTENTION !**

Consigne de sécurité : le non-respect de ces consignes peut entraîner des blessures.

**AVIS !**

Le non-respect de ces consignes peut entraîner des dommages matériels et des dysfonctionnements du produit.

**REMARQUE**

Informations complémentaires sur l'utilisation du produit.

2 Consignes de sécurité et instructions de montage

Respectez les consignes de sécurité et autres prescriptions imposées par le fabricant du véhicule et par les professionnels de l'automobile !

Le fabricant décline toute responsabilité pour des dommages dans les cas suivants :

- des défauts de montage ou de raccordement
- des influences mécaniques et des surtensions ayant endommagé le matériel
- des modifications apportées au produit sans autorisation explicite de la part du fabricant
- une utilisation différente de celle décrite dans la notice

Veillez donc à respecter les consignes suivantes :

- Débranchez toujours la borne négative avant de procéder à des travaux sur les éléments électriques du véhicule afin d'éviter tout risque de court-circuit.
Sur les véhicules équipés d'une batterie supplémentaire, vous devez également débrancher le pôle négatif de cette dernière.

- Tout branchement électrique inadéquat peut entraîner un court-circuit causant
 - la combustion de câbles,
 - le déclenchement de l'airbag,
 - l'endommagement des dispositifs électroniques de commande,
 - la défaillance des fonctions électriques (clignotants, stops, klaxon, allumage, éclairage).
- Pour tous les travaux sur les lignes électriques suivantes, n'utilisez que des cosses de câble, fiches et alvéoles pour contacts plats isolés :
 - 30 (entrée directe pôle positif de la batterie),
 - 15 (pôle positif connecté, derrière la batterie),
 - 31 (circuit de retour à partir de la batterie, masse),
 - 58 (feu de recul).

N'utilisez **pas** de dominos.

- Utilisez une pince à sertir (fig. **1** 10, page 3) pour relier les câbles.
- Pour les raccordements à la ligne électrique 31 (masse), vissez le câble
 - à une vis de masse du véhicule, avec une cosse et une rondelle crantée, ou bien
 - à la carrosserie, avec une cosse et une vis à tôle.

Veillez à un bon transfert de masse !

Lorsque vous débranchez le pôle négatif de la batterie, les mémoires volatiles de l'électronique de confort perdent toutes les données enregistrées.

- Vous devez procéder à un nouveau réglage des données suivantes en fonction de l'équipement du véhicule :
 - code radio ;
 - horloge du véhicule ;
 - minuterie ;
 - ordinateur de bord ;
 - position du siège.

Les consignes de réglage se trouvent dans les instructions de montage correspondantes.

Veillez respecter les consignes suivantes lors du montage :

- Fixez les pièces de la caméra installées dans le véhicule de manière à ce qu'elles ne puissent en aucun cas (freinage violent, accident) se détacher et **blessers les occupants du véhicule**.
- Fixez les pièces du système sous l'habillage de telle sorte qu'elles ne puissent pas se détacher, endommager d'autres pièces ou connexions, ni gêner le fonctionnement du véhicule (direction, pédales, etc.).

- Avant de percer des trous, assurez-vous que vous disposez d'un espace suffisant de l'autre côté du trou à percer afin que la mèche n'occasionne aucun dégât (fig. **2**, page 4).
- Ebavurez tous les trous et protégez-les avec un enduit anticorrosif.
- Respectez toujours les consignes de sécurité du fabricant du véhicule. Certains travaux (p. ex. au niveau des systèmes de retenue, AIRBAG, etc.) doivent être effectués uniquement par un personnel spécialisé ayant reçu une formation correspondante.

Veillez respecter les consignes suivantes pour les travaux sur les éléments électriques :

- Pour le contrôle de la tension des lignes électriques, n'utilisez qu'une lampe étalon à diodes (fig. **1** 8, page 3) ou un voltmètre (fig. **1** 9, page 3). Les lampes étalons avec corps lumineux (fig. **1** 12, page 3) absorbent des courants trop élevés qui pourraient endommager les systèmes électroniques du véhicule.
- Lors de l'installation des raccordements électriques, veillez à ce que ceux-ci
 - ne soient ni pliés, ni tordus,
 - ne frottent pas contre des arêtes,
 - ne soient pas placés dans des passages à arêtes vives sans protection (fig. **3**, page 4).
- Isolez toutes les connexions et tous les raccords.
- Protégez les câbles contre toute contrainte mécanique en les fixant par exemple aux lignes existantes à l'aide de serre-câbles ou de ruban vinyle.

La caméra est étanche. Les joints de la caméra ne résistent cependant pas à un nettoyeur à haute pression (fig. **4**, page 4). Veillez donc à respecter les consignes suivantes en manipulant la caméra :

- N'ouvrez jamais la caméra afin de ne pas compromettre son étanchéité ni son fonctionnement (fig. **5**, page 4).
- Ne tirez jamais sur les câbles pour ne pas compromettre l'étanchéité ni le fonctionnement de la caméra (fig. **6**, page 4).
- La caméra n'est pas prévue pour être utilisée dans l'eau (fig. **7**, page 4) !

3 Contenu de la livraison

N° dans fig. 8, page 5	Quantité	Désignation	N° d'article
1	1	Caméra avec couvercle de protection motorisé	
2	2	Cache	
3	1	Protection de caméra	
4	1	Support de caméra	
5	1	Plaque isolante	
6	1	Boîtier adaptateur CAM44	9102200078
7	1	Câble de rallonge	9102200030
-	1	Matériel de fixation	

4 Accessoires

Disponible en accessoires (non compris dans la livraison) :

Désignation	N° d'article
Boîte de commande AMP100	9600000210

5 Usage conforme

La caméra CAM44 (n° d'art. 9600000043) est conçue principalement pour être installée dans des véhicules. Elles peuvent être utilisées sur les systèmes vidéo de recul qui permettent de surveiller, depuis le siège du conducteur, la zone située directement derrière le véhicule, p. ex. pour manoeuvrer ou pour se garer.



AVERTISSEMENT !

Les systèmes vidéo de recul vous apportent une aide supplémentaire en marche arrière, mais ces appareils **ne** vous dégagent **pas du devoir de prudence qui vous incombe lorsque vous conduisez en marche arrière.**

6 Description technique

La caméra couleur à micro incorporé est logée dans un boîtier en aluminium et transmet image et son à l'écran grâce à un câble. Elle est équipée d'un objectif panoramique et d'un objectif gros plan. Les LED infrarouge améliorent la vue de nuit.

L'objectif panoramique donne vue sur la zone à l'arrière du véhicule comme dans un rétroviseur. Vous pouvez l'activer lorsque vous ne conduisez pas en marche arrière.

L'objectif gros plan (caméra de recul) est un objectif grand angle donnant vue sur la zone située immédiatement à l'arrière du véhicule. Il se déclenche lors du passage de la marche arrière.

En mode marche arrière, la caméra crée trois marques de distance qui s'affichent sous forme de lignes colorées sur un moniteur couleur raccordé.

La caméra CAM44 est équipée d'un couvercle de protection motorisé contre la saleté.



REMARQUE

Les caméras sont équipées en usine d'une représentation en miroir. Si vous raccordez un moniteur, celui-ci doit donc fonctionner en représentation normale.

La caméra se compose des éléments suivants :

N° dans fig. 9, page 5	Désignation
1	Câble de raccordement à 6 pôles
2	Objectif panoramique
3	LED infrarouge
4	Objectif gros plan (caméra de recul)
5	Microphone

7 Remarques concernant le raccordement électrique

7.1 Pose des câbles



AVIS ! Risque d'endommagement !

- Avant de percer des trous, vérifiez qu'il y a un espace suffisant de l'autre côté du trou pour le passage de la mèche.
- Toute erreur de pose ou de branchement des câbles entraîne presque toujours des perturbations et des détériorations des composants. Une pose et un branchement corrects des câbles sont indispensables au fonctionnement durable et fiable des composants que vous installez.
- Veillez à ce que les câbles ne soient pas en contact avec des solvants tels que l'essence pour une durée prolongée. Ces solvants endommageraient les câbles.

Veillez donc respecter les consignes suivantes :

- Pour la pose des câbles de raccordement, utilisez si possible des passages existants ou d'autres possibilités de passage telles que les arêtes de garnitures, grilles d'aération ou interrupteurs aveugles. Si aucun passage n'est disponible, vous devrez percer des trous pour y faire passer les câbles. Vérifiez avant le perçage qu'il y a un espace suffisant pour la sortie de la mèche de l'autre côté du trou.
- Dans la mesure du possible, ne posez les câbles qu'à l'intérieur du véhicule. Ils y seront mieux protégés qu'à l'extérieur.
Si vous devez malgré tout faire passer les câbles à l'extérieur du véhicule, veillez à ce qu'ils soient solidement fixés (en utilisant des serre-fils supplémentaires, du ruban vinyle, etc.).
- Installez les câbles à une distance suffisante des éléments chauds et/ou mobiles du véhicule (tuyaux d'échappement, arbres de transmission, dynamo, ventilateurs, chauffage, etc.) qui pourraient les endommager. Pour assurer la protection mécanique des câbles, veillez utiliser des tubes ondulés ou autres matériaux de protection.
- Vissez les raccords enfichables des câbles de raccordement afin de les protéger contre les infiltrations d'eau (fig. **10**, page 5).

- Lors de la pose des câbles, veillez à ce que ceux-ci
 - ne soient ni fortement pliés, ni tordus,
 - ne frottent pas contre des arêtes,
 - ne soient pas placés dans des passages à arêtes vives sans protection (fig. **3**, page 4).
- Fixez soigneusement les câbles à l'intérieur du véhicule pour éviter que quelqu'un ne trébuche dessus (risque de chute). Pour cela, utilisez des serre-câbles, du ruban vinyle ou fixez le câble avec de la colle.
- Veillez à protéger chaque trou percé dans la carrosserie en prenant des mesures appropriées contre toute infiltration d'eau, par exemple en appliquant du mastic sur le câble et sur le passe-câble.

**REMARQUE**

Les opérations d'étanchéification des ouvertures ne doivent être entreprises que lorsque tous les réglages de position de la caméra ont été effectués et que les longueurs de câbles de raccordement nécessaires sont définies.

7.2 Utilisation de cosses de dérivation

Pour éviter les faux contacts au niveau des cosses de dérivation, veuillez vous assurer que le diamètre des fils correspond parfaitement aux cosses utilisées.

Procédez de la manière suivante pour utiliser les cosses de dérivation :

- Placez le câble qui doit fournir le courant dans la rainure antérieure de la cosse de dérivation (fig. **11** A, page 6).
- Placez l'extrémité du nouveau câble aux 3/4 dans la rainure postérieure (fig. **11** B, page 6).
- Fermez la cosse et pressez avec une pince universelle la partie métallique à l'intérieur de la cosse, afin que le raccordement électrique se fasse (fig. **11** C, page 6).
- Rabattez le clapet protecteur jusqu'à encliquetage.
- Vérifiez la solidité du raccord en tirant les câbles de part et d'autre de la cosse (fig. **11** D, page 6).

7.3 Soudure correcte des connexions

Procédez de la manière suivante pour souder un câble à des lignes existantes :

- Dénudez 10 mm de la ligne existante (fig. **12** A, page 6).
- Dénudez 15 mm du câble à raccorder (fig. **12** B, page 6).
- Torsadez le câble à raccorder autour de la ligne existante et soudez les deux câbles (fig. **12** C, page 6).
- Isolez les câbles avec du ruban vinyle (fig. **12** D, page 6).

Procédez de la manière suivante pour souder deux câbles entre eux :

- Dénudez les extrémités des deux câbles (fig. **13** A, page 6).
- Passez une gaine thermorétractable d'environ 20 mm de long sur l'un des deux câbles (fig. **13** B, page 6).
- Torsadez les câbles sur eux-mêmes et soudez-les (fig. **13** C, page 6).
- Faites glisser la gaine thermorétractable au-dessus de la soudure et chauffez-la légèrement (fig. **13** D, page 6).

8 Montage de la caméra

8.1 Outils nécessaires

Pour la **mise en place et le montage**, vous devez disposer des outils suivants :

- Jeu de mèches (fig. **1** 1, page 3)
- Perceuse (fig. **1** 2, page 3)
- Tournevis (fig. **1** 3, page 3)
- Jeu de clés à œil ou de clés plates (fig. **1** 4, page 3)
- Mètre (fig. **1** 5, page 3)
- Marteau (fig. **1** 6, page 3)
- Pointeau (fig. **1** 7, page 3)

Pour le **raccordement électrique** et le contrôle de celui-ci, vous devez disposer du matériel suivant :

- Lampe étalon à diode (fig. **1** 8, page 3) ou voltmètre (fig. **1** 9, page 3)
- Ruban vinyle (fig. **1** 11, page 3)
- Si nécessaire : passe-câbles

Pour la **fixation des câbles** vous aurez éventuellement besoin de serre-fils supplémentaires.

8.2 Montage de la caméra



ATTENTION !

La caméra doit être placée et fixée de manière à ce qu'en aucun cas des personnes se trouvant à proximité ne puissent être blessées (éviter par exemple que des branches effleurant le toit du véhicule ne puissent faire tomber la caméra).



REMARQUE

Si le montage de la caméra entraîne une modification de la hauteur ou de la longueur du véhicule mentionnées sur les papiers du véhicule, le véhicule doit être recontrôlé et approuvé par les services compétents (centres de contrôle technique, etc.).

Faites inscrire sur les papiers du véhicule les modifications ainsi approuvées par les autorités compétentes.

Veillez respecter les consignes suivantes lors du montage :

- La caméra doit être installée à une hauteur de 2 mètres minimum pour offrir un angle de vue suffisant.
Veillez à effectuer les travaux de montage à un endroit stable.
- Veillez à ce que l'emplacement de la caméra lui garantisse une stabilité suffisante (au cas où, par exemple, des branches effleurant le toit resteraient accrochées à la caméra).
- Montez la caméra en position horizontale et centrale à l'arrière du véhicule (fig. **14**, page 7).
- Utilisez impérativement la plaque isolante fournie (fig. **8** 5, page 5). Ceci permet d'empêcher les courants de fuite dus à des connexions à la masse défectueuses dans le véhicule. Les courants de fuite peuvent être à l'origine de raies de l'image, de ronflements du haut-parleur ou même de détériorations.
- Pour assurer une sécurité maximale, il convient de fixer les éléments à l'aide de vis traversant la carrosserie. Lorsque vous procédez à la fixation, veillez respecter les consignes suivantes :
 - Veillez à ce qu'un espace suffisant soit disponible de l'autre côté de l'emplacement choisi afin que vous puissiez procéder au montage.
 - N'oubliez pas, pour chaque trou percé, de prendre des mesures adéquates afin d'éviter toute infiltration d'eau (par exemple en appliquant du mastic sur chaque vis et/ou en recouvrant de mastic les pièces de fixation extérieures).
 - Il faut choisir pour la fixation un endroit suffisamment solide de la carrosserie afin de pouvoir bien visser le support de la caméra.
- Vérifiez avant le perçage que vous disposez d'un espace suffisant de l'autre côté du trou pour le passage de la mèche (fig. **2**, page 4).
- Si vous avez le moindre doute quant au choix de l'emplacement de montage, veillez vous adresser au fabricant de la carrosserie ou à un concessionnaire agréé.



REMARQUE

Afin de minimiser la corrosion des vis, veillez graisser leur filetage.

Procédez au montage de la façon suivante :

- Placez le support de la caméra sur l'emplacement de montage choisi et marquez au moins deux points de perçage distincts (fig. **15**, page 7).
- A l'aide du marteau, donnez un léger coup de pointe sur les points préalablement marqués afin d'éviter tout décentrage de la mèche.

Si vous souhaitez fixer la caméra à l'aide de vis à tôle (fig. 16, page 7)**AVIS !**

La fixation avec des vis à tôle n'est autorisée que sur les tôles en acier d'une épaisseur de 1,5 mm minimum.

- ▶ Percez sur chaque point préalablement tracé un trou de \varnothing 4 mm.
- ▶ Ebavurez tous les trous percés et protégez-les avec un enduit anticorrosif.
- ▶ Collez la plaque isolante adhésive double face (fig. 8 5, page 5) sur la surface de montage du support.
La plaque isolante sert également de joint et protège la peinture.
- ▶ Vissez le support de la caméra à l'aide des vis à tôle 5 x 20 mm.

Si vous souhaitez fixer la caméra à l'aide de vis filetées traversant la carrosserie (fig. 17, page 7)**AVIS !**

Veillez à ce que les écrous ne risquent pas de passer à travers la carrosserie lorsque vous les serrez.
Utilisez si nécessaire des plaques de tôle ou des rondelles de grande taille.

- ▶ Percez sur chaque point préalablement tracé un trou de \varnothing 5,5 mm.
- ▶ Ebavurez tous les trous percés et protégez-les avec un enduit anticorrosif.
- ▶ Collez la plaque isolante adhésive double face (fig. 8 5, page 5) sur la surface de montage du support.
La plaque isolante sert également de joint et protège la peinture.
- ▶ Vissez le support de la caméra à l'aide des vis filetées M5 x 20 mm.
Vous aurez éventuellement besoin de vis d'une longueur supérieure en fonction de l'épaisseur de la carrosserie.

Orifice destiné au câble de raccordement de la caméra (fig. 18, page 8)



REMARQUE

Faites passer, dans la mesure du possible, les câbles de raccordement par des ouvertures déjà existantes (ex. : grille d'aération). Si aucun passage n'est disponible, vous devez percer un trou de \varnothing 16 mm.



AVIS ! Risque d'endommagement !

Vérifiez avant le perçage qu'il y a un espace suffisant de l'autre côté du trou pour le passage de la mèche.

- Percez à proximité de la caméra un trou de \varnothing 16 mm.
- Ebavurez tous les trous pratiqués dans la tôle et protégez-les avec un enduit anticorrosif.
- Placez un passe-câbles dans chaque passage présentant des arêtes vives.

Fixation de la caméra et de la protection de la caméra



AVIS !

Ne montez jamais la caméra sans son cache de protection. Utilisez uniquement les vis M3 x 6 mm fournies pour monter le cache de protection de la caméra. Des vis de longueur supérieure endommageraient la caméra.

- Placez le cache de protection de la caméra (fig. 8 3, page 5) sur la caméra
 - de manière à ce que l'orifice de fixation du cache de protection de la caméra (fig. 19, page 8) soit situé au-dessus du filetage 3 mm de la caméra
 - de manière à ce que les deux autres orifices de fixation (fig. 19, page 8) soient situés au-dessus du filetage 3 mm de la caméra
- Fixez la protection de la caméra en vissant les deux vis M3 x 6 mm dans l'orifice de fixation (fig. 19, page 8).
- Placez la caméra dans le support (fig. 20, page 8).



AVIS !

Pour monter la caméra sur son support, veuillez utiliser uniquement les vis fournies. Des vis de longueur supérieure endommageraient la caméra.

- Fixez la caméra **sans serrer** à l'aide des quatre vis M3 x 8 mm dans les deux autres orifices de fixation (fig. **20**, page 8).
La caméra est maintenant centrée.
- Orientez la caméra de manière à ce que l'objectif forme un angle d'environ 20° par rapport à l'axe vertical du véhicule (fig. **21**, page 8).

**REMARQUE**

Ne serrez les quatre vis M3 x 8 mm qu'une fois que vous avez orienté la caméra dans la bonne position (voir chapitre « Vérification du fonctionnement et réglage de la caméra », page 60).
Pour cela, vous devez d'abord, le cas échéant, monter et brancher un écran.

8.3 Raccordement de la caméra

**REMARQUE**

- Posez le câble de la caméra de telle manière que la connexion reliant la caméra au câble de rallonge soit facilement accessible au cas où un démontage de la caméra serait nécessaire. Cette précaution simplifie énormément le démontage.
- Pour minimiser le risque de corrosion de la connexion, lubrifiez légèrement l'un des connecteurs à l'aide d'une graisse spéciale.

- Placez le câble de la caméra à l'intérieur du véhicule.
- Enfoncez le connecteur du câble de la caméra dans la prise femelle du câble de rallonge.
- Vissez les raccords enfichables des câbles de raccordement afin de les protéger contre les infiltrations d'eau (fig. **10**, page 5).

8.4 Raccordement de la boîte de commande 9102200078 (fig. 24, page 9)

La boîte de commande est livrée prête au montage.

- Fixez la boîte de commande à un emplacement adéquat.
- Effectuez le raccordement électrique de la boîte de commande de la manière suivante :
 - Raccordez les entrées caméra du moniteur aux raccords « V1 » et « V2 ».
 - Raccordez le câble système de la caméra au raccord « TWIN ».

La caméra est allumée et éteinte par la marche arrière ou la touche de sélection de la caméra située sur le moniteur.

8.5 Raccordement de la boîte de commande AMP100 (fig. 25, page 10)



REMARQUE

Si vous souhaitez utiliser les deux modules de la caméra lors de la marche avant, vous devez monter le commutateur à bascule compris dans la livraison (voir instructions de montage et d'utilisation pour AMP100).

La boîte de commande (non comprise à la livraison) est prête à être montée.

- Montez la boîte de commande comme décrit dans les instructions de montage et d'utilisation correspondantes.



REMARQUE

La sortie « 2 » de la boîte de commande est une sortie auxiliaire permettant de raccorder un moniteur externe par exemple.

- Effectuez le raccordement électrique de la boîte de commande comme décrit dans les instructions de montage et d'utilisation correspondantes.

8.6 Vérification du fonctionnement et réglage de la caméra



REMARQUE

Les valeurs des marques de distance (voir chapitre « Estimation des distances », page 60) sont valables uniquement si la caméra a été montée à une hauteur d'env. 230 à 250 cm.

Vérifiez après le montage de la caméra la hauteur effective de montage. Si la hauteur de montage diffère de ces valeurs, déterminez les valeurs effectives des marques de distance.

- Vérifiez le fonctionnement de la caméra après l'avoir raccordée à un écran.
- Orientez si nécessaire la caméra en fonction de l'image affichée par l'écran : l'arrière ou le pare-chocs arrière de votre véhicule doit apparaître au bas de l'image. La partie centrale du pare-chocs doit apparaître au centre de l'écran (fig. 23, page 9).
- Serrez les quatre vis de fixation de la caméra.
- Posez les caches latéraux et fixez-les avec une vis de fixation (fig. 22, page 8).

Effectuez les réglages du contraste et de la luminosité sur l'écran.

9 Utilisation de la caméra

9.1 Estimation des distances

En mode marche arrière, la caméra crée trois marques de distance qui s'affichent sous forme de lignes colorées sur un moniteur couleur raccordé (fig. 26, page 10).

Les lignes facilitent l'estimation de la distance entre le véhicule et un obstacle.

Si la caméra est montée à une hauteur d'env. 230 à 250 cm, les lignes indiquent les distances suivantes :

Couleur	Distance
vert (A)	env. 3 m
jaune (B)	env. 1 m
rouge (C)	env. 0,3 m

10 Entretien et nettoyage de la caméra



AVIS !

N'utilisez aucun objet coupant ou dur pour le nettoyage de l'appareil. Cela risquerait de l'endommager.

- Nettoyez de temps en temps la caméra avec un tissu doux et humide.

11 Garantie

Le délai légal de garantie s'applique. Si le produit s'avérait défectueux, veuillez vous adresser à la filiale du fabricant située dans votre pays (voir adresses au verso du présent manuel) ou à votre revendeur spécialisé.

Pour toute réparation ou autre prestation de garantie, veuillez joindre à l'appareil les documents suivants :

- composants défectueux,
- une copie de la facture avec la date d'achat,
- le motif de la réclamation ou une description du dysfonctionnement.


12 Retraitement

- Jetez les emballages dans les conteneurs de déchets recyclables prévus à cet effet.



Lorsque vous mettez votre produit définitivement hors service, informez-vous auprès du centre de recyclage le plus proche ou auprès de votre revendeur spécialisé sur les prescriptions relatives au retraitement des déchets.

13 Caractéristiques techniques

	PerfectView CAM44
N° art. :	9600000043
Capteur d'image :	Vision de loin: capteur 1/4" Color CMOS, env. 290000 pixels, 648(H) x 488(V) Vision de près: 1/3" CMOS, 762(H) x 504(V)
Système TV :	PAL
Sensibilité :	< 1 Lux ou 0,0 Lux avec LED IR (vision de près)
Angle de vue :	Objectif panoramique : env. 50° Objectif gros plan : env. 140° en diagonale
Sensibilité du microphone :	env. 56 dB
Température de stockage :	-30 °C à +85 °C
Température de fonctionnement :	-30 °C à +70 °C
Tension de service :	12 - 16 V==
Consommation :	max. 4 W
Dimensions L x h x l (avec support) :	114 x 74 x 62 mm
Poids :	env. 360 g
Certifications :	

Lea detenidamente estas instrucciones antes de llevar a cabo la instalación y puesta en funcionamiento, y consérvelas en un lugar seguro. En caso de vender o entregar el producto a otra persona, entregue también estas instrucciones.

Índice

1	Aclaración de los símbolos	64
2	Indicaciones relativas a la seguridad y al montaje	64
3	Volumen de entrega	67
4	Accesorios	67
5	Uso adecuado	67
6	Descripción técnica	68
7	Indicaciones relativas a la conexión eléctrica	69
8	Montaje de la cámara	71
9	Utilizar la cámara	79
10	Mantenimiento y limpieza de la cámara	79
11	Garantía legal	79
12	Gestión de residuos	80
13	Datos técnicos	80

1 Aclaración de los símbolos

**¡ADVERTENCIA!**

Indicación de seguridad: su incumplimiento puede acarrear la muerte o graves lesiones.

**¡ATENCIÓN!**

Indicación de seguridad: su incumplimiento puede acarrear lesiones.

**¡AVISO!**

Su incumplimiento puede acarrear daños materiales y perjudicar el correcto funcionamiento del producto.

**NOTA**

Información adicional para el manejo del producto.

2 Indicaciones relativas a la seguridad y al montaje

¡Tenga en cuenta las indicaciones de seguridad y la documentación suministrada por el fabricante y el taller del vehículo!

El fabricante declina toda responsabilidad ante daños ocurridos en los siguientes casos:

- errores de montaje o de conexión
- daños en el producto debido a influencias mecánicas y sobretensiones
- modificaciones realizadas en el producto sin el expreso consentimiento del fabricante
- utilización del aparato para fines distintos a los descritos en las instrucciones

Por ello, observe las siguientes indicaciones:

- Debido al peligro de cortocircuito, antes de trabajar en el sistema eléctrico del vehículo desemborne siempre el polo negativo.
Desemborne también el polo negativo en aquellos vehículos con baterías de refuerzo.

- La realización de conexiones eléctricas incorrectas puede provocar que por un cortocircuito:
 - se incendien los cables,
 - se dispare el airbag,
 - resulten dañados los dispositivos electrónicos de control,
 - queden sin funcionamiento determinadas funciones eléctricas (intermitentes, luz de freno, claxon, encendido, luz).
- Al trabajar en las siguientes líneas, utilice sólo terminales de cable, clavijas y manguitos de enchufe plano que estén provistos de aislamiento:
 - 30 (entrada del polo positivo directo de la batería),
 - 15 (polo positivo conectado, detrás de la batería),
 - 31 (línea de retorno desde la batería, masa),
 - 58 (luz de marcha atrás).

No utilice regletas.

- Utilice una crimpadora (fig. **1** 10, página 3) para empalmar los cables.
- En el caso de conexiones a la línea 31 (masa), atornille el cable
 - con terminal de cable y arandela dentada a un tornillo de masa del vehículo, o bien,
 - con terminal de cable y tornillo para chapa a la chapa de la carrocería.Asegúrese de que se produzca una correcta transmisión a masa.

Tenga en cuenta que al desembornar el polo negativo de la batería se perderán todos los datos almacenados en las memorias volátiles de la electrónica de confort.

- Dependiendo del equipamiento del vehículo, deberá volver a ajustar los siguientes datos:
 - código de la radio
 - reloj del vehículo
 - temporizador
 - ordenador de a bordo
 - posición del asiento

Las indicaciones para realizar los ajustes se encuentran en las instrucciones de uso correspondientes.

Tenga en cuenta las siguientes indicaciones durante el montaje:

- Fije firmemente las partes de la cámara montadas en el vehículo, a fin de que no se puedan soltar bajo ninguna circunstancia (frenados bruscos, accidentes) y ocasionen **heridas a los ocupantes del vehículo**.

- Fije ocultas bajo revestimientos las partes del sistema que se deban montar, de manera que no puedan soltarse o dañar otras piezas ni cables, y de manera que no puedan afectar a las funciones del vehículo (dirección, pedales, etc.).
- A fin de evitar que se produzcan daños al utilizar el taladro, asegúrese de disponer de suficiente espacio para la salida de la broca (fig. **2**, página 4).
- Lije las perforaciones y aplíqueles un antioxidante.
- Respete siempre las indicaciones de seguridad del fabricante del vehículo. Algunos trabajos (p. ej. en los sistemas de retención como AIRBAG, etc.) sólo los puede realizar personal especializado y con la debida formación.

Tenga en cuenta las siguientes indicaciones al trabajar en los componentes eléctricos:

- Para comprobar la tensión en las líneas eléctricas, utilice solamente un diodo de comprobación (fig. **1** 8, página 3) o un voltímetro (fig. **1** 9, página 3). Las lámparas de prueba con un elemento luminoso (fig. **1** 12, página 3) consumen mucha corriente, lo cual puede dañar el sistema electrónico del vehículo.
- Al tender los cables eléctricos tenga en cuenta que éstos
 - no se doblen ni se tuerzan,
 - no rocen con bordes,
 - no se instalen sin protección en canales de paso con bordes afilados (fig. **3**, página 4).
- Aísle todos los empalmes y conexiones.
- Asegure los cables frente a tracciones mecánicas mediante abrazaderas para cables o cinta aislante, fijándolos, por ejemplo, a las líneas eléctricas ya existentes.

La cámara es impermeable al agua. Sin embargo, las juntas de la cámara no resisten los efectos de un limpiador de alta presión (fig. **4**, página 4). Por ello, tenga en cuenta también las siguientes indicaciones de uso para la cámara:

- No abra la cámara, puesto que afectará a la estanqueidad y a la capacidad funcional (fig. **5**, página 4).
- No tire de los cables, puesto que influirá en la estanqueidad y en la capacidad funcional de la cámara (fig. **6**, página 4).
- La cámara no está concebida para utilizarla bajo agua (fig. **7**, página 4).

3 Volumen de entrega

N.º en fig. 8, página 5	Cantidad	Denominación	N.º de artículo
1	1	Cámara con tapa protectora accionada por motor	
2	2	Cubierta	
3	1	Protección de la cámara	
4	1	Soporte de la cámara	
5	1	Base de aislamiento	
6	1	Caja adaptadora de CAM44	9102200078
7	1	Cable alargador	9102200030
-	1	Material de fijación	

4 Accesorios

Disponible como accesorio (no incluido en el alcance del suministro):

Denominación	N.º de artículo
Caja de distribución AMP100	9600000210

5 Uso adecuado

La cámara CAM44 (n.º art. 9600000043) está pensada especialmente para su uso en vehículos. Se puede utilizar en sistemas de video para marcha atrás que sirven para observar el área situada directamente detrás del vehículo, p. ej., al maniobrar o al aparcar.



¡ADVERTENCIA!

Los sistemas de video para marcha atrás suponen una ayuda en las maniobras de marcha atrás, pero ello **no excluye** que se deban tomar las **precauciones necesarias durante la marcha atrás**.

6 Descripción técnica

La cámara a color con micrófono incorporado está situada dentro de una carcasa de aluminio y transmite la imagen y el sonido al monitor a través de un cable. Dispone de un objetivo para distancias largas y de otro para distancias cortas. La visibilidad nocturna mejora gracias a los LEDs infrarrojos.

El objetivo para distancias largas registra el área situada detrás del vehículo como si lo estuviese viendo desde una ventana trasera. Lo puede conectar cuando se des-plaza marcha atrás.

El objetivo para distancias cortas (cámara de marcha atrás) en un gran angular que registra el área situada justo detrás del vehículo. Se conecta al engranar la marcha atrás.

En el modo marcha atrás, la cámara genera tres marcas de distancia que se muestran como líneas de colores en un monitor a color conectado.

La cámara CAM44 está equipada con una tapa protectora accionada por motor que la protege de la suciedad.



NOTA

Las cámaras vienen equipadas de fábrica para representar la imagen como vista en un espejo. Por ello, el monitor que esté conectado tiene que trabajar con una función de imagen normal.

La cámara consta de los siguientes elementos:

N.º en fig. 9, página 5	Denominación
1	Cable de conexión de 6 polos
2	Objetivo para distancias largas
3	LEDs infrarrojos
4	Objetivo para distancias cortas (cámara de marcha atrás)
5	Micrófono

7 Indicaciones relativas a la conexión eléctrica

7.1 Tendido de cables



¡AVISO! ¡Peligro de ocasionar daños materiales!

- Si perfora agujeros, compruebe primero si existe el espacio libre suficiente para la salida del taladro.
- La colocación y conexión de cables no realizadas por personal técnico, tienen como consecuencia el mal funcionamiento o daños en los componentes. Una conexión y colocación correctas de los cables, es requisito fundamental para un funcionamiento duradero y correcto de los accesorios instalados.
- Los cables no deben estar durante largo tiempo en contacto con disolventes, como p. ej. gasolina, ya que el disolvente dañaría el cable.

Por ello, observe las siguientes indicaciones:

- Para pasar el cable de conexión utilice, siempre que sea posible, canales de paso originales u otras posibilidades, como p. ej. aristas revestidas, rejillas de ventilación o interruptores falsos. Si no existe ningún canal de paso previo, deberá realizar los correspondientes agujeros para cada cable. Antes, compruebe si hay suficiente espacio libre para la salida del taladro.
- Si es posible, tienda los cables siempre en el interior del vehículo, pues allí están mejor protegidos que fuera del mismo.
Si a pesar de ello tiende los cables por fuera, preste atención a que queden bien fijos (con abrazaderas adicionales para cables, cinta aislante, etc.).
- A fin de evitar daños en los cables, al instalarlos, mantenga una distancia suficiente respecto a las piezas del vehículo que estén calientes y en movimiento (tubos de escape, ejes de accionamiento, dínamo, ventiladores, calefacción, etc.). Como protección mecánica utilice tubo ondulado o material protector de semejantes características.
- Atornille los conectores del cable de conexión para protegerlo frente a la entrada de agua (fig. **10**, página 5).
- Al instalar los cables tenga en cuenta que:
 - no se doblen ni se retuerzan,
 - no rocen con bordes,
 - no se instalen sin protección en canales de paso con bordes afilados (fig. **3**, página 4).

- Fije los cables al vehículo de un modo seguro, para evitar que se enganche el pie (peligro de caída). A este fin, utilice abrazaderas para cable, cinta aislante o péguelos con pegamento.
- Proteja cada abertura del revestimiento exterior con las medidas adecuadas para evitar que penetre agua, p. ej. colocando el cable con pasta para juntas y rociando el cable y el tubo protector con pasta para juntas.

**NOTA**

Comience a sellar las aberturas sólo cuando haya finalizado todos los trabajos de ajuste en la cámara y cuando haya determinado las longitudes necesarias del cable de alimentación.

7.2 Utilización de los conectores de derivación

Para evitar contactos flojos en los conectores de derivación, asegúrese de que las secciones de cable sean adecuadas a dichos conectores.

Para utilizar estos conectores proceda del modo siguiente:

- ▶ Coloque el cable a partir del cual se vaya a realizar la conexión en la ranura delantera del conector de derivación (fig. **11** A, página 6).
- ▶ Coloque el cable nuevo con el extremo introducido aprox. 3/4 en la ranura trasera (fig. **11** B, página 6).
- ▶ Cierre el conector y, con unos alicates universales, inserte el nervio metálico en el conector, de modo que se establezca una conexión eléctrica (fig. **11** C, página 6).
- ▶ Presione la cubierta protectora hacia abajo y deje que encaje en el conector.
- ▶ Compruebe la sujeción de los conectores de derivación tirando del cable (fig. **11** D, página 6).

7.3 Realización correcta de conexiones por soldadura

Proceda como se indica a continuación para soldar un cable a líneas originales:

- ▶ Pele 10 mm el aislamiento de la línea original (fig. **12** A, página 6).
- ▶ Pele 15 mm el aislamiento del cable que vaya a conectar (fig. **12** B, página 6).
- ▶ Arrolle el cable que vaya a conectar alrededor del cable original y suelde ambos cables (fig. **12** C, página 6).
- ▶ Aísle los cables con cinta aislante (fig. **12** D, página 6).

Proceda como se indica a continuación para conectar dos cables:

- Pele los dos cables (fig. **13** A, página 6).
- Pase un tubo retráctil de aprox. 20 mm de longitud sobre un cable (fig. **13** B, página 6).
- Retuerza los dos cables entre sí y suéldelos (fig. **13** C, página 6).
- Desplace el tubo retráctil sobre el punto de soldadura y caliéntelo ligeramente (fig. **13** D, página 6).

8 Montaje de la cámara

8.1 Herramientas necesarias

Para realizar la **instalación y el montaje** son necesarias las siguientes herramientas:

- Juego de brocas (fig. **1** 1, página 3)
- Taladradora (fig. **1** 2, página 3)
- Destornillador (fig. **1** 3, página 3)
- Juego de llaves poligonales o de boca (fig. **1** 4, página 3)
- Regla graduada (fig. **1** 5, página 3)
- Martillo (fig. **1** 6, página 3)
- Punzón para marcar (fig. **1** 7, página 3)

Para realizar la **conexión eléctrica** y su comprobación, necesitará los siguientes medios auxiliares:

- Diodo de comprobación (fig. **1** 8, página 3) o voltímetro (fig. **1** 9, página 3)
- Cinta aislante (fig. **1** 11, página 3)
- Si fuese necesario, tubos protectores para los cables

Para la **fijación de los cables** podrá necesitar adicionalmente abrazaderas para cables.

8.2 Montaje de la cámara



¡ATENCIÓN!

Elija un lugar de montaje para la cámara y fíjela de tal forma que en ningún caso puedan resultar heridas las personas que se encuentren cerca (p. ej. por ramas que arranquen la cámara al rozar el techo del vehículo).



NOTA

Puede ocurrir que al montar la cámara, la altura o la longitud del vehículo que aparece en la ficha técnica del vehículo se vean modificadas. En tal caso, las autoridades competentes (ITV, DEKRA, etc.) deberán realizar una nueva comprobación.

Asegúrese de que las autoridades de tráfico competentes registren en la ficha técnica del vehículo la nueva comprobación realizada.

Tenga en cuenta las siguientes indicaciones durante el montaje:

- A fin de obtener un buen ángulo de visión, coloque la cámara a una altura de por lo menos dos metros.
Al realizar el montaje, preste atención a que el lugar ofrezca la suficiente estabilidad.
- Preste atención a que el lugar de montaje de la cámara ofrezca la solidez necesaria (p. ej., es posible que las ramas que pasen por encima del vehículo se queden enganchadas en la cámara).
- Monte la cámara centrada y horizontalmente en la parte trasera del vehículo (fig. 14, página 7).
- Es absolutamente necesario utilizar la base de aislamiento que se suministra (fig. 8 5, página 5). De esta forma, se evitará que se produzca una corriente de falla derivada de una conexión a masa insuficiente en el vehículo. Las rayas en la imagen o los zumbidos del altavoz, incluso otros daños, son consecuencia de la corriente de falla.
- La fijación más segura es mediante tornillos que atraviesen la estructura. Por ello, observe las siguientes indicaciones:
 - Asegúrese de que detrás del lugar de montaje elegido haya suficiente espacio libre para poder montar la cámara.
 - Cada abertura se debe proteger con medidas adecuadas para que no penetre agua (p. ej. utilizando tornillos con pasta para juntas y/o rociando las partes externas de sujeción con pasta para juntas).
 - El punto de sujeción de la estructura debe ser lo suficientemente firme como para poder apretar suficientemente el soporte de la cámara.

- Antes de taladrar, asegúrese de que haya espacio libre suficiente para la salida de la broca (fig. **2**, página 4).
- Si no está seguro de la idoneidad del lugar de montaje elegido, consulte al fabricante de la estructura o a su representante.

**NOTA**

Para minimizar la corrosión de los tornillos, se recomienda engrasar las roscas.

Para el montaje proceda de la siguiente manera:

- Coloque el soporte de la cámara en el lugar de montaje elegido y marque al menos 2 puntos de perforación distintos (fig. **15**, página 7).
- Puncée con el martillo y el punzón en los puntos previamente marcados, para evitar posibles desviaciones del taladro.

Si atornilla la cámara con tornillos para chapa (fig. **16, página 7)****¡AVISO!**

La sujeción con tornillos para chapa sólo puede realizarse en chapas de acero con un grosor mínimo de 1,5 mm.

- Realice una perforación de \varnothing 4 mm en los puntos que había marcado anteriormente.
- Lije todas las perforaciones realizadas y aplíqueles un antioxidante.
- Fije la base de aislamiento, adhesiva por las dos caras, (fig. **8** 5, página 5) en el lateral de montaje del soporte.
La placa de aislamiento también sirve de junta y protege la pintura.
- Atornille el soporte de la cámara con los tornillos para chapa 5 x 20 mm.

Si desea fijar la cámara a la estructura mediante tornillos roscados (fig. 17, página 7)**¡AVISO!**

Asegúrese de que al apretar las tuercas, éstas no se incrusten en la estructura.

En caso necesario, utilice arandelas y planchas de chapa de mayor tamaño.

- Realice una perforación de \varnothing 5,5 mm en los puntos que había marcado anteriormente.
- Lije todas las perforaciones realizadas y aplíqueles un antioxidante.
- Fije la base de aislamiento, adhesiva por las dos caras, (fig. 8 5, página 5) en el lateral de montaje del soporte.
La placa de aislamiento también sirve de junta y protege la pintura.
- Atornille el soporte de la cámara con los tornillos roscados M5 x 20 mm.
Según sea el grosor de la estructura, necesitará tornillos roscados de mayor o menor longitud.

Realizar la apertura para el paso del cable de alimentación de la cámara (fig. 18, página 8)**NOTA**

Como canal de paso para el cable de conexión utilice, siempre que sea posible, posibilidades ya existentes, como p. ej., rejillas de ventilación. Si no existe ninguna posibilidad de paso, deberá perforar un agujero de \varnothing 16 mm.

**¡AVISO! ¡Peligro de ocasionar daños materiales!**

Previamente, compruebe si hay espacio libre suficiente para la salida del taladro.

- Perfore un agujero de \varnothing 16 mm cerca de la cámara.
- Lije todas las perforaciones realizadas en la chapa y aplíqueles un antioxidante.
- Coloque en todos los canales de paso con aristas afiladas un tubo protector.

Fijar la cámara y su protección



¡AVISO!

No monte nunca la cámara sin la protección adicional. Para el montaje de la protección utilice únicamente los tornillos M3 x 6 mm suministrados. Unos tornillos más largos dañarían la cámara.

- ▶ Deslice la protección de la cámara (fig. **8**, 3, página 5) sobre la cámara de forma que:
 - el orificio de sujeción de la protección de la cámara (fig. **19**, página 8) quede encima de la rosca de 3 mm de la cámara;
 - los otros dos orificios de sujeción (fig. **19**, página 8) queden encima de la rosca de 3 mm de la cámara.
- ▶ Fije la protección de la cámara con los dos tornillos M3 x 6 mm en los orificios de sujeción (fig. **19**, página 8).
- ▶ Inserte la cámara en el soporte (fig. **20**, página 8).



¡AVISO!

Para montar la cámara en el soporte, utilice sólo los tornillos que se suministran. Unos tornillos más largos dañarían la cámara.

- ▶ Fije la cámara **ligeramente** completamente la cámara con los cuatro tornillos M3 x 8 mm en los otros dos orificios de sujeción (fig. **20**, página 8).
Ahora la cámara está centrada.
- ▶ Oriente la cámara de tal manera que el objetivo forme un ángulo de aprox. 20° respecto al eje vertical del vehículo (fig. **21**, página 8).



NOTA

No apriete los cuatro tornillos M3 x 8 mm hasta que no haya orientado la cámara (véase capítulo “Comprobación del funcionamiento y ajuste de la cámara” en la página 78).

Para ello deberá montar primero un monitor y conectarlo eléctricamente.

8.3 Conexión de la cámara

**NOTA**

- Coloque el cable de la cámara de tal modo que, en caso de desmontaje de la cámara, pueda llegar con facilidad a la conexión de enchufe entre la cámara y el cable alargador. Con ello, el desmontaje se facilita considerablemente.
- Para reducir la corrosión de la clavija, se recomienda aplicar grasa, p. ej. grasa para polos, en una de las dos partes de la conexión.

- Lleve el cable de la cámara hasta el interior del vehículo.
- Conecte la clavija del cable de la cámara a la hembra del cable alargador.
- Atornille los conectores del cable de conexión para protegerlo frente a la entrada de agua (fig. 10, página 5).

8.4 Conectar la caja de distribución 9102200078 (fig. 24, página 9)

La caja de distribución (no incluida en el volumen de entrega) se suministra lista para su montaje.

- Fije la caja de distribución en un lugar adecuado.
- Conecte eléctricamente la caja de distribución como se indica a continuación:
 - Conecte las entradas de cámara del monitor a las conexiones "V1" y "V2".
 - Conecte el cable del sistema de cámara a la conexión "TWIN".

La cámara se enciende o apaga por medio de la marcha atrás o de la tecla de selección prevista en el monitor para seleccionar la cámara.

8.5 Conectar la caja de distribución AMP100 (fig. 25, página 10)

**NOTA**

Si desea utilizar los dos módulos de la cámara durante la marcha adelante, deberá montar el conmutador basculante suministrado (véanse las instrucciones de montaje y de uso para AMP100).

La caja de distribución se suministra lista para su montaje.

- Monte la caja de distribución como se describe en las correspondientes instrucciones de montaje y uso.

**NOTA**

La salida "2" de la caja de distribución es una salida auxiliar para, por ejemplo, conectar otro monitor.

- Conecte la caja de distribución como se describe en las correspondientes instrucciones de montaje y uso.

8.6 Comprobación del funcionamiento y ajuste de la cámara



NOTA

Los valores de las marcas de distancia (véase capítulo “Estimar las distancias” en la página 79) sólo son válidos si la cámara se ha montado a una altura de aprox. 230 – 250 cm. Una vez montada la cámara, compruebe la altura de montaje resultante. Si la altura de montaje difiere de estos valores, deberá calcular los valores de distancia reales para las marcas de distancia.

- Compruebe el funcionamiento de la cámara tras haberla conectado a un monitor.
- En caso necesario, oriente la cámara según la imagen del monitor:
En el margen inferior de la imagen del monitor debe visualizarse la parte trasera o el parachoques del vehículo. El centro del parachoques debe estar también en el centro de la imagen del monitor (fig. 23, página 9).
- Apriete los cuatro tornillos de fijación de la cámara.
- Coloque las cubiertas laterales y sujete cada una con un tornillo de fijación (fig. 22, página 8).

Realice los ajustes de contraste y brillo en el monitor.

9 Utilizar la cámara

9.1 Estimar las distancias

En el modo marcha atrás, la cámara genera tres marcas de distancia que se muestran como líneas de colores en un monitor a color conectado (fig. 26, página 10).

Estas líneas facilitan la estimación de la distancia del vehículo a un obstáculo.

Si la cámara está montada a una altura de 230 – 250 cm, las líneas indican las siguientes distancias:

Color	Distancia
verde (A)	aprox. 3 m
amarillo (B)	aprox. 1 m
rojo (C)	aprox. 0,3 m

10 Mantenimiento y limpieza de la cámara



¡AVISO!

No utilice ningún instrumento afilado o duro en la limpieza, ya que podría dañar el aparato.

- Limpie la cámara con un paño húmedo y suave cuando sea necesario.

11 Garantía legal

Rige el plazo de garantía legal. Si el producto presenta algún defecto, diríjase a la sucursal del fabricante de su país (ver direcciones en el dorso de estas instrucciones) o a su establecimiento especializado.

Para la tramitación de la reparación y de la garantía debe enviar lo siguiente:

- componentes defectuosos,
- una copia de la factura con fecha de compra,
- el motivo de la reclamación o una descripción de la avería.


12 Gestión de residuos

► Deseche el material de embalaje en el contenedor de reciclaje correspondiente.



Cuando vaya a desechar definitivamente el producto, infórmese en el centro de reciclaje más cercano o en un comercio especializado sobre las normas pertinentes de eliminación de materiales.

13 Datos técnicos

	PerfectView CAM44
Art. nº:	9600000043
Sensor de imagen:	Distancias largas: 1/4" Sensor Color CMOS, aprox. 290000 píxeles, 648(H) x 488(V) Distancias cortas: 1/3" CMOS, 762(H) x 504(V)
Norma TV:	PAL
Sensibilidad:	< 1 lux ó 0,0 lux con LED IR (distancias cortas)
Ángulo de visión:	Objetivo para distancias largas: aprox. 50° Objetivo de distancias cortas: aprox. 140° diagonal
Sensibilidad del micrófono:	aprox. 56 dB
Temperatura de almacenamiento:	-30 °C hasta +85 °C
Temperatura de funcionamiento:	-30 °C hasta +70 °C
Tensión de funcionamiento:	12 – 16 V===
Consumo:	máx. 4 W
Dimensiones A x H x P (con soporte):	114 x 74 x 62 mm
Peso:	aprox. 360 g
Homologaciones:	

Por favor, leia atentamente este manual antes da montagem e colocação em funcionamento do aparelho e guarde-o em local seguro. Em caso de transmissão do produto, entregue o manual ao novo utilizador.

Índice

1	Explicação dos símbolos	82
2	Indicações de segurança e de montagem	82
3	Material fornecido	85
4	Acessórios	85
5	Utilização adequada	85
6	Descrição técnica	86
7	Indicações sobre a ligação elétrica	87
8	Montar a câmara	89
9	Utilizar a câmara	96
10	Conservar e limpar a câmara	96
11	Garantia	96
12	Eliminação	97
13	Dados técnicos	97

1 Explicação dos símbolos

**AVISO!**

Indicação de segurança: o incumprimento pode provocar a morte ou ferimentos graves.

**PRECAUÇÃO!**

Indicação de segurança: o incumprimento pode provocar ferimentos.

**NOTA!**

O incumprimento pode causar danos materiais e pode prejudicar o funcionamento do produto.

**OBSERVAÇÃO**

Informações suplementares sobre a operação do produto.

2 Indicações de segurança e de montagem

Cumpra as advertências de segurança e o especificado na literatura do fabricante automóvel e das associações profissionais!

O fabricante não se responsabiliza por danos nos seguintes casos:

- Erros de montagem ou de conexão
- Danos no produto resultantes de influências mecânicas e sobretensões
- Alterações ao produto sem autorização expressa do fabricante
- Utilização para outras finalidades que não as descritas no manual de instruções

Preste, por isso, atenção às seguintes indicações:

- Antes de efetuar trabalhos no sistema elétrico do veículo, desligue sempre o pólo negativo devido a perigo de curto-circuito.
No caso de veículos com bateria adicional a mesma também deve ser desligada do pólo negativo.

- Conexões insuficientes podem ter como consequência um curto-circuito
 - queimaduras de cabos,
 - o airbag dispara,
 - dispositivos de comando eletrónicos são danificados,
 - falhas de funções elétricas (pisca-pisca, luz de travagem, buzina, ignição, luzes).
- Em trabalhos nos seguintes cabos, utilize apenas terminais de cabos, fichas e mangas para fichas planas isolados.
 - 30 (entrada do positivo da bateria direta)
 - 15 (positivo ligado, por detrás da bateria)
 - 31 (cabo de retorno a partir da bateria, terra)
 - 58 (faróis de marcha-atrás).

Não utilize quaisquer barras de junção.

- Utilize um alicate de crimpar (fig. **1** 10, página 3) para ligar os cabos.
- Aparafuse o cabo por ligações ao cabo 31 (terra)
 - com terminal de cabo e arruela dentada a um parafuso terra do veículo ou
 - com terminal de cabos e parafuso perfurantes para chapa à chapa da carroçaria.

Tenha atenção a uma boa transmissão à terra!

Ao retirar o borne do pólo negativo da bateria todas as memórias voláteis da eletrónica de conforto perdem os seus dados memorizados.

- De acordo com a versão do veículo, terá de configurar novamente os seguintes dados:
 - Código do rádio
 - Relógio do veículo
 - Temporizador
 - Computador de bordo
 - Posição de utilização

No respetivo manual de instruções encontrará indicações relativas à regulação.

Durante a montagem, respeite as seguintes indicações:

- Fixe as peças da câmara montadas no veículo de forma a que não se soltem em circunstância alguma (travagem busca, acidente de viação) o que poderia causar **ferimentos aos ocupantes do veículo**.
- Fixe os componentes do sistema instalados por debaixo de revestimentos de modo a que não se soltem ou danifiquem outros componentes e cabos e não limitem as funções do veículo (direção, pedais, etc.).

- Durante a perfuração, certifique-se de que existe espaço suficiente para a saída da broca de modo a evitar danos (fig. **2**, página 4).
- Remova as rebarbas de cada furo e coloque nos furos um produto anticorrosão.
- Preste sempre atenção às indicações de segurança do fabricante automóvel. Alguns trabalhos (p.ex. sistemas de retenção como AIRBAG, etc.) apenas podem ser realizados por técnicos qualificados.

Respeite as seguintes indicações durante o trabalho em peças elétricas:

- Para verificar a tensão em ligações elétricas utilize apenas uma lâmpada de verificação do díodo (fig. **1** 8, página 3) ou um voltímetro (fig. **1** 9, página 3). Lâmpadas de verificação (fig. **1** 12, página 3) com um corpo luminoso consomem correntes muito elevadas, pelo que a eletrónica do veículo pode ser danificada.
- Ao colocar as ligações elétricas tenha atenção para que estas
 - não fiquem dobradas ou torcidas,
 - não sejam friccionados de encontro aos cantos,
 - não passem sem proteção através de guias de passagem com arestas afiadas (fig. **3**, página 4).
- Isole todos os cabos e ligações.
- Proteja os cabos contra desgaste mecânico através de abraçadeiras ou fita isolante, p.ex. nos cabos existentes.

A câmara é estanque. No entanto as vedações da câmara não resistem a um aparelho de limpeza a alta pressão (fig. **4**, página 4). Preste, por isso, atenção às seguintes indicações sobre o manuseamento da câmara:

- Não abra a câmara, uma vez que isso afeta a sua estanqueidade e a capacidade de funcionamento (fig. **5**, página 4).
- Não puxe pelos cabos, uma vez que isso afeta a estanqueidade e a capacidade de funcionamento da câmara (fig. **6**, página 4).
- A câmara não é adequada para ser utilizada debaixo de água (fig. **7**, página 4).

3 Material fornecido

N.º fig. 8, página 5	Quant.	Designação	N.º de artigo
1	1	Câmara com tampa protetora acionada por motor	
2	2	Cobertura	
3	1	Proteção da câmara	
4	1	Suporte da câmara	
5	1	Base de isolamento	
6	1	Caixa adaptadora CAM44	9102200078
7	1	Cabo de extensão	9102200030
-	1	Material de fixação	

4 Acessórios

Disponível como acessório (não incluído no material fornecido):

Designação	N.º de artigo
Caixa de distribuição AMP100	9600000210

5 Utilização adequada

A câmara CAM44 (n.º art. 9600000043) foi idealizada predominantemente para a utilização em veículos. Esta pode ser utilizada em sistemas de vídeo de marcha-atrás que sirvam para controlar a área diretamente por detrás do veículo a partir do lugar do motorista, por ex. ao fazer manobras ou ao estacionar.



AVISO!

Os sistemas de vídeo de marcha-atrás oferecem uma ajuda adicional nas manobras de marcha-atrás, **não** o dispensando, no entanto, **de ser extremamente prudente durante as manobras de marcha-atrás.**

6 Descrição técnica

A câmara a cores com microfone incorporado está alojada numa caixa de alumínio e transmite imagem e som através de um cabo para um monitor. A câmara dispõe de uma objetiva para distâncias longas e outra objetiva para distâncias mais curtas. Os LED de infravermelhos melhoram a visão noturna.

A objetiva para distâncias longas exhibe o espaço por detrás do veículo, tal como seria visualizado a partir da janela de trás. Esta pode ser ligada sempre que fizer marcha-atrás.

A objetiva para distâncias curtas (câmara de marcha-atrás) é uma objetiva de grande ângulo, que exhibe o espaço diretamente por detrás do veículo. Esta objetiva é ligada ao meter a marcha-atrás.

No modo de marcha-atrás, a câmara cria três marcas de distância que são apresentadas em forma de linhas num monitor a cores que esteja ligado.

A câmara CAM44 está equipada com tampa protetora acionada por motor que a proteja contra eventuais sujidades.



OBSERVAÇÃO

As câmaras vêm equipada de fábrica com uma uma exibição em espelho. Por isso, um monitor que esteja ligado à câmara tem de trabalhar com uma função de imagem normal.

A câmara é composta pelos seguintes elementos:

N.º na fig. 9, página 5	Designação
1	Cabo de ligação de 6 polos
2	Objetiva para distâncias longas
3	LED de infravermelhos
4	Objetiva para distâncias curtas (câmara de marcha-atrás)
5	Microfone

7 Indicações sobre a ligação elétrica

7.1 Passar os cabos



NOTA! Perigo de danos!

- Antes de fazer furos, verifique se existe espaço livre suficiente para a saída da broca.
- A passagem e a ligação de cabos não adequadas provocam sempre falhas de funcionamento ou danos nos componentes. A passagem ou ligação de cabos correta é uma condição fundamental para um funcionamento duradouro e sem falhas dos componentes reequipados.
- Os cabos não podem entrar em contacto durante muito tempo com solventes, como por ex., benzina, uma vez que ficariam danificados.

Preste, por isso, atenção às seguintes indicações:

- Utilize para a passagem do cabo de ligação, se possível, passagens originais ou outras possibilidades de passagem, por ex. cantos de revestimento, grades de ventilação ou interruptores cegos. Se não estiverem disponíveis quaisquer passagens, terá de perfurar os respetivos furos para cada cabo. Confira antes se está disponível espaço livre suficiente para a saída da broca.
- Sempre que possível, passe os cabos através do interior do veículo, pois aí estão mais protegidos do que no exterior.
Caso, mesmo assim, passe os cabos pelo exterior do veículo, tenha atenção para que fiquem bem presos (mediante abraçadeiras para cabos ou fita isolante etc.).
- Para evitar danos no cabo, ao passar os cabos, mantenha sempre uma distância suficiente em relação a peças do veículo quentes ou em movimento (tubos de escape, eixos de transmissão, alternador, ventiladores, aquecimento, etc.). Para proteção mecânica utilize tubo ondulado ou materiais de proteção semelhantes.
- Aparafuse os conectores do cabo de ligação para ficarem protegidos contra a entrada de água (fig. 10, página 5).
- Ao passar os cabos, tenha atenção para que estes
 - não fiquem muito dobrados ou torcidos,
 - não sejam friccionados de encontro aos cantos,
 - não passem sem proteção através de guias de passagem com arestas afiadas (fig. 3, página 4).
- Fixe os cabos no veículo de modo seguro para evitar um enrolamento (perigo de queda). Isto pode ser realizado através da utilização de abraçadeiras, fita isolante ou cola.

- Proteja cada fenda do revestimento exterior com medidas adequadas para evitar que penetre água, por ex. através da colocação do cabo com massa vedante e através da pulverização do cabo e do bloco de ligação com massa vedante.

**OBSERVAÇÃO**

Comece a selar as fendas apenas quando tiver finalizado todos os trabalhos de ajuste na câmara e quando tiver determinado os comprimentos necessários do cabo de ligação.

7.2 Utilização de conectores de derivação

Para evitar maus contactos nos conectores de derivação, certifique-se de que as seções de cabo são adequadas para esses conectores de derivação.

Para utilizar os conectores proceda do seguinte modo:

- ▶ Coloque o cabo, a partir do qual se vai realizar a conexão na ranhura dianteira do conector de derivação (fig. **11** A, página 6).
- ▶ Coloque o cabo novo com a extremidade inserida aprox. 3/4 na ranhura traseira (fig. **11** B, página 6).
- ▶ Feche o conector e com um alicate universal pressione a aleta metálica no conector, de modo a estabelecer uma ligação elétrica (fig. **11** C, página 6).
- ▶ Pressione a capa protetora para baixo e encaixe-a no conector.
- ▶ Verifique a fixação dos conectores de derivação, puxando o cabo (fig. **11** D, página 6).

7.3 Realização correta de juntas de solda

Proceda da seguinte maneira para soldar um cabo a fios originais:

- ▶ Retire 10 mm de isolamento do fio original (fig. **12** A, página 6).
- ▶ Retire 15 mm de isolamento do cabo a ser ligado (fig. **12** B, página 6).
- ▶ Enrole o cabo a ser ligado à volta do fio original e solde ambos os cabos (fig. **12** C, página 6).
- ▶ Isole o cabo com fita isoladora (fig. **12** D, página 6).

Proceda da seguinte maneira para ligar os cabos um ao outro.

- Retire o isolamento a ambos os cabos (fig. **13** A, página 6).
- Passe um tubo retrátil com um comprimento aprox. de 20 mm sobre um cabo (fig. **13** B, página 6).
- Torça os cabos entre si e solde-os (fig. **13** C, página 6).
- Passe o tubo retrátil sobre o ponto de soldadura e aqueça-o ligeiramente (fig. **13** D, página 6).

8 Montar a câmara

8.1 Ferramenta necessária

Para a **instalação e montagem** são necessárias as seguintes ferramentas:

- Conjunto de brocas (fig. **1** 1, página 3)
- Berbequim (fig. **1** 2, página 3)
- Chave de parafusos (fig. **1** 3, página 3)
- Conjunto de chaves em estrela ou chaves de bocas (fig. **1** 4, página 3)
- Régua (fig. **1** 5, página 3)
- Martelo (fig. **1** 6, página 3)
- Punções (fig. **1** 7, página 3)

Para a **ligação elétrica** e respetiva verificação são necessárias as seguintes ferramentas de apoio:

- Lâmpada de verificação do díodo (fig. **1** 8, página 3) ou voltímetro (fig. **1** 9, página 3)
- Fita isoladora (fig. **1** 11, página 3)
- Eventualmente blocos de ligações para passagem de cabos.

Para a **fixação dos cabos** necessita, eventualmente, de mais abraçadeiras.

8.2 Montar a câmara



PRECAUÇÃO!

Selecione o local da câmara e fixe-a de forma segura, de modo a que, em caso algum, pessoas que se encontrem nas proximidades possam ficar feridas, por ex. se ramos por cima do tejadilho roçarem na câmara.



OBSERVAÇÃO

Se, devido à montagem da câmara, a altura ou o comprimento do veículo registado nos respetivos documentos for alterado, deve ser realizada uma nova aprovação por parte das entidades competentes (TÜV, DEKRA, etc.) (organismos de inspeção alemães).

Dirija-se à entidade rodoviária competente para que esta aprove as alterações ao veículo.

Durante a montagem, respeite as seguintes indicações:

- Coloque a câmara para um ângulo de visão razoável a uma altura de pelo menos dois metros.
Preste atenção na montagem para que exista um espaço de trabalho estável suficiente.
- Preste atenção para que o local de montagem da câmara ofereça estabilidade suficiente (por ex. ramos que passam por cima do tejadilho podem enrolar-se na câmara).
- Monte a câmara na posição horizontal e ao centro na traseira do veículo (fig. 14, página 7).
- A utilização da base de isolamento juntamente fornecida é indispensável (fig. 8 5, página 5). Deste modo, são evitadas falhas de corrente devido a uma deficiente ligação à terra no veículo. Faixas de interferência na imagem ou ruídos no altifalante, incluindo outros danos devem-se a falhas de corrente.
- A forma mais segura de fixação são parafusos que atravessam a estrutura. Preste neste caso atenção às seguintes indicações:
 - Por detrás da posição de montagem selecionada deve existir espaço livre suficiente para a montagem.
 - Cada fenda tem de ficar protegida com medidas adequadas para evitar que penetre água, (p.ex. através da colocação dos parafusos com massa vedante e/ou através da pulverização dos elementos de fixação exteriores com massa vedante).
 - A estrutura tem de oferecer estabilidade suficiente no ponto de fixação para que o suporte da câmara possa ser suficientemente apertado.

- Verifique antes se existe espaço livre suficiente para a saída da broca (fig. **2**, página 4).
- Se não se sentir seguro acerca do local de montagem por si selecionado, informe-se junto do fabricante da estrutura ou do respetivo representante.

**OBSERVAÇÃO**

Para minimizar a corrosão dos parafusos, lubrifique a rosca.

Para a montagem, proceda do seguinte modo:

- Segure o suporte da câmara no local de montagem selecionado e marque no mínimo dois pontos de perfuração diferentes (fig. **15**, página 7).
- Efetue uma punção nos pontos anteriormente assinalados com martelo e punção para evitar que a broca deslize.

Se pretender aparafusar a câmara com parafusos perfurantes para chapa (fig. **16, página 7)****NOTA!**

A fixação com parafusos perfurantes para chapa apenas pode ser realizada em chapas de aço com uma espessura mínima de 1,5 mm.

- Faça um furo de \varnothing 4 mm nos pontos marcados anteriormente.
- Remova as rebarbas de todos os furos e coloque nos furos um produto anticorrosão.
- Cole a base isolante adesiva de dupla face (fig. **8** 5, página 5) no lado de montagem do suporte.
A placa isoladora serve de junta e também protege a pintura.
- Aparafuse o suporte da câmara com os parafusos perfurantes para chapa 5 x 20 mm.

Se pretender fixar a câmara com parafusos roscados através da estrutura (fig. 17, página 7)**NOTA!**

Preste atenção para que ao apertar as porcas, estas não possam ser puxadas através da estrutura.

Utilize eventualmente anilhas ou placas de chapa maiores.

- ▶ Faça um furo de \varnothing 5,5 mm nos pontos marcados anteriormente.
- ▶ Remova as rebarbas de todos os furos e coloque nos furos um produto anticorrosão.
- ▶ Cole a base isolante adesiva de dupla face (fig. 8 5, página 5) no lado de montagem do suporte.
A placa isoladora serve de junta e também protege a pintura.
- ▶ Aparafuse o suporte da câmara com os parafusos roscados de M5 x 20 mm.
Consoante a espessura da estrutura, pode necessitar de parafusos roscados mais compridos.

Realizar a fenda para o cabo de ligação da câmara (fig. 18, página 8)**OBSERVAÇÃO**

Utilize para a passagem do cabo de ligação, se possível, possibilidades de passagem existentes, por ex. grelhas de ventilação. Se não existirem quaisquer passagens, terá de fazer um furo com um \varnothing de 16 mm.

**NOTA! Perigo de danos!**

Verifique antes se existe espaço livre suficiente para a saída da broca.

- ▶ Faça um furo nas proximidades da câmara com um \varnothing de 16 mm.
- ▶ Remova as rebarbas de todos os furos realizados na chapa e coloque nos furos um produto anticorrosão.
- ▶ Coloque em todas as passagens pontiagudas um bloco de ligação para a passagem dos cabos.

Fixar a câmara e a proteção da câmara



NOTA!

Nunca monte a câmara sem a respetiva proteção adicional. Utilize para a montagem da proteção da câmara apenas os parafusos M3 x 6 mm juntamente fornecidos. Parafusos mais compridos danificam a câmara.

- ▶ Empurre a proteção da câmara (fig. **8** 3, página 5) sobre a câmara de modo a que
 - o orifício de fixação da proteção da câmara (fig. **19**, página 8) fique acima da rosca de 3 mm existente na câmara
 - os outros dois orifícios de fixação (fig. **19**, página 8) fiquem acima da rosca de 3 mm existente na câmara.
- ▶ Fixe a proteção da câmara com os dois parafusos M3 x 6 mm nos orifícios de fixação (fig. **19**, página 8).
- ▶ Insira a câmara no suporte da câmara (fig. **20**, página 8).



NOTA!

Para montar a câmara no suporte utilize apenas os parafusos juntamente fornecidos. Parafusos mais compridos danificam a câmara.

- ▶ Fixe a câmara **ligeiramente** com os quatro parafusos M3 x 8 mm nos outros dois orifícios de fixação (fig. **20**, página 8).
A câmara esta agora centrada.
- ▶ Alinhe a câmara de forma a que a objetiva forme um ângulo de aprox. 20° em relação ao eixo vertical do veículo (fig. **21**, página 8).



OBSERVAÇÃO

Os quatro parafusos M3 x 8 mm apenas são apertados depois de a câmara estar centrada (ver capítulo “Verificar funcionamento e configurar a câmara” na página 95).

Para tal, deverá montar primeiro um monitor e efetuar a respetiva ligação elétrica.

8.3 Efetuar a ligação da câmara



OBSERVAÇÃO

- Passe o cabo da câmara de forma a que, em caso de uma desmontagem eventualmente necessária, se possa aceder facilmente à ligação de ficha entre a câmara e o cabo de extensão. A desmontagem ficará deste modo consideravelmente simplificada.
- De forma a minimizar a corrosão na ficha, aplique um pouco de massa lubrificante, por ex. massa própria para pinos, numa das fichas.

- Conduza o cabo da câmara para o interior do veículo.
- Insira a ficha do cabo da câmara na tomada do cabo de extensão.
- Aparafuse o encaixe para proteção contra a penetração de água (fig. 10, página 5)

8.4 Conetar a caixa de distribuição 9102200078 (fig. 24, página 9)

A caixa de distribuição é fornecida pronta a ser montada.

- Fixe a caixa de distribuição num local adequado.
- Efetua a ligação elétrica da caixa de distribuição da seguinte forma:
 - Conete as entradas da câmara do monitor às conexões “V1” e “V2”.
 - Conete o cabo do sistema da câmara e à conexão “TWIN”.

A câmara liga e desliga-se através da marcha atrás ou da tecla de seleção existente na mesma.

8.5 Conetar a caixa de distribuição AMP100 (fig. 25, página 10)



OBSERVAÇÃO

Caso pretenda utilizar os dois módulos da câmara ao circular em marcha à frente, deverá montar o comutador basculante juntamente fornecido (consulte o manual de montagem e operação para AMP100).

A caixa de distribuição vem (não incluído no material fornecido) pronta a ser montada.

- ▶ Monte a caixa de distribuição como descrito no manual de montagem e operação.



OBSERVAÇÃO

A saída "2" da caixa de distribuição é uma saída auxiliar que serve, p.ex. para ligar um segundo monitor.

- ▶ Conete a caixa de distribuição como descrito no manual de montagem e operação.

8.6 Verificar funcionamento e configurar a câmara



OBSERVAÇÃO

Os valores das marcas de distância (consulte capítulo "Calcular distância" na página 96) apenas são válidos, se a câmara tiver sido montada a uma altura de aprox. 230 – 250 cm.

Depois de a câmara estar montada, verifique a real altura de montagem. Caso a altura de montagem difira desses valores, determine os reais valores de distância das marcas de distância.

- ▶ Verifique o funcionamento da câmara, após a mesma ser ligada a um monitor.
- ▶ Se necessário, alinhe a câmara com base na imagem do monitor:
A imagem do monitor deverá mostrar na margem inferior da imagem a traseira ou o para-choques do seu veículo. O centro do para-choques também deverá estar ao centro da imagem do monitor (fig. 23, página 9).
- ▶ Aperte bem os quatro parafusos de fixação da câmara.
- ▶ Coloque as coberturas laterais e fixe cada uma com um parafuso de fixação (fig. 22, página 8).

Realize os ajustes de contraste e brilho no monitor.

9 Utilizar a câmara

9.1 Calcular distância

No modo de marcha-atrás, a câmara cria três marcas de distância que são apresentadas em forma de linhas num monitor a cores que esteja ligado (fig. 26, página 10).

As linhas facilitam o cálculo da distância do veículo em relação a um obstáculo.

Se a câmara estiver montada a uma altura de 230 – 250 cm, as linhas apresentam as seguintes distâncias:

Cor	Distância
verde (A)	aprox. 3 m
amarelo (B)	aprox. 1 m
vermelho (C)	aprox. 0,3 m

10 Conservar e limpar a câmara

**NOTA!**

Não utilize materiais afiados ou duros para a limpeza, uma vez que podem causar danos no aparelho.

► De vez em quando, limpe a câmara com um pano macio humedecido.

11 Garantia

É válido o prazo de garantia legal. Se o produto estiver com defeito, por favor, dirija-se à representação do fabricante no seu país (endereços, ver verso do manual) ou ao seu revendedor.

Para fins de reparação ou de garantia, terá de enviar os seguintes documentos:

- componentes com defeito,
- uma cópia da fatura com a data de aquisição,
- um motivo de reclamação ou uma descrição da falha.


12 Eliminação

- Sempre que possível, coloque o material de embalagem no respectivo contentor de reciclagem.



Para colocar o aparelho definitivamente fora de funcionamento, por favor, informe-se junto do centro de reciclagem mais próximo ou revendedor sobre as disposições de eliminação aplicáveis.

13 Dados técnicos

PerfectView CAM44	
N.º art.:	9600000043
Sensor de imagem:	Visualização ao longe: 1/4" Color CMOS Sensor, aprox. 290000 Pixel, 648(H) x 488(V) Visualização ao perto: 1/3" CMOS, 762(H) x 504(V)
Sistema de TV:	PAL
Sensibilidade:	< 1 Lux ou 0,0 Lux com LED IV (visualização ao perto)
Ângulo de visão:	Objetiva para distâncias longas: aprox. 50° Objetiva para distâncias curtas: aprox 140° diagonal
Sensibilidade do microfone:	aprox. 56 dB
Temperatura de armazenamento:	-30 °C a +85 °C
Temperatura de funcionamento:	-30 °C a +70 °C
Tensão de funcionamento:	12 – 16 V $\overline{=}$
Consumo:	máx. 4 W
Dimensões L x A x P (com suporte):	114 x 74 x 62 mm
Peso:	aprox. 360 g
Certificações:	

Prima di effettuare il montaggio e la messa in funzione leggere accuratamente questo manuale di istruzioni, conservarlo e in caso di trasmissione del prodotto, consegnarlo all'utente successivo.

Indice

1	Spiegazione dei simboli	99
2	Indicazioni di sicurezza e di montaggio	99
3	Dotazione	102
4	Accessori	102
5	Uso conforme alla destinazione	102
6	Descrizione tecnica.	103
7	Indicazioni per l'allacciamento elettrico	104
8	Montaggio della telecamera	106
9	Impiego della telecamera.	113
10	Cura e pulizia della telecamera	113
11	Garanzia	114
12	Smaltimento	114
13	Specifiche tecniche.	115

1 Spiegazione dei simboli

**AVVERTENZA!**

Avviso di sicurezza: la mancata osservanza di questo avviso può causare ferite gravi anche mortali.

**ATTENZIONE!**

Avviso di sicurezza: la mancata osservanza di questo avviso può essere causa di lesioni.

**AVVISO!**

La mancata osservanza di questa nota può causare danni materiali e compromettere il funzionamento del prodotto.

**NOTA**

Informazioni integranti relative all'impiego del prodotto.

2 Indicazioni di sicurezza e di montaggio

Osservare le indicazioni di sicurezza e le direttive previste dal produttore del veicolo e dagli specialisti del settore!

Il produttore non si assume nessuna responsabilità per danni nei seguenti casi:

- errori di montaggio o di allacciamento
- danni al prodotto dovuti a influenze meccaniche o a sovratensioni
- modifiche al prodotto senza esplicita autorizzazione del produttore
- impiego per altri fini rispetto a quelli descritti nel manuale di istruzioni

Osservare perciò le seguenti indicazioni:

- Per scongiurare il pericolo di un cortocircuito, staccare sempre il polo negativo, prima di eseguire qualsiasi lavoro al sistema elettrico del veicolo.
È necessario staccare il polo negativo della batteria anche quando si tratta di veicoli con batteria ausiliare.

- Collegamenti elettrici inadeguati possono provocare in caso di cortocircuito:
 - bruciatura di cavi,
 - attivazione dell'airbag,
 - danneggiamento ai dispositivi elettronici di comando,
 - guasti delle funzioni elettriche (lampeggiatore, luce di arresto, segnalatore acustico, accensione, luce di marcia).
- Per l'esecuzione dei lavori alle seguenti linee, impiegare solamente spine, spine femmina piatte e capicorda isolati:
 - 30 (ingresso diretto del polo positivo della batteria),
 - 15 (polo positivo inserito, dietro batteria),
 - 31 (cavo di ritorno dalla batteria, a massa),
 - 58 (proiettore di retromarcia).

Non impiegare morsetti.

- Impiegare una pinza a crimpare (fig. **1** 10, pagina 3) per collegare i cavi.
- Collegare il cavo con viti agli allacciamenti sulla linea 31 (a massa)
 - con capocorda e rosetta elastica dentata piana ad una vite di massa propria del veicolo o
 - con capocorda e vite autofilettante alla lamiera della carrozzeria.

Accertarsi che ci sia un buon collegamento di massa!

Quando si stacca il polo negativo della batteria tutte le memorie volatili del sistema dell'elettronica per funzioni comfort perdono i dati memorizzati.

- A seconda dell'equipaggiamento del veicolo devono essere reimpostati i seguenti dati per:
 - codice radio
 - orologio
 - timer
 - computer di bordo
 - posizione sedile

Per indicazioni relative all'impostazione, consultare le istruzioni per l'uso valide di volta in volta.

Osservare le seguenti indicazioni per il montaggio.

- Fissare i componenti della telecamera montati nel veicolo in modo che non possano staccarsi, (ad es. in caso di frenate brusche o incidenti) e non possano portare al **ferimento dei passeggeri**.
- Fissare i componenti del sistema non a vista da applicare sotto il rivestimento in modo tale che non possano staccarsi o danneggiare altri componenti e cavi e compromettere le funzioni del veicolo (sterzo, pedali ecc.).

- Durante i lavori di trapanatura, assicurarsi che ci sia spazio sufficiente per l'uscita del trapano per evitare eventuali danni (fig. **2**, pagina 4).
- Sbavare ogni foro e trattarlo con antiruggine.
- Osservare sempre le indicazioni di sicurezza del produttore del veicolo. Alcuni lavori (ad es. ai sistemi di arresto quali AIRBAG ecc.) devono essere eseguiti esclusivamente da personale qualificato addestrato.

Osservare le seguenti indicazioni durante l'esecuzione dei lavori ai componenti elettrici.

- Per il controllo della tensione nelle linee elettriche utilizzare unicamente una lampada campione a diodi (fig. **1** 8, pagina 3) oppure un voltmetro (fig. **1** 9, pagina 3).
Le lampade campione con una lampadina (fig. **1** 12, pagina 3) assorbono correnti troppo elevate rischiando così di danneggiare il sistema elettronico del veicolo.
- Durante la disposizione degli allacciamenti elettrici fare in modo che questi
 - non vengano torti o piegati,
 - non sfreghino contro spigoli,
 - non vengano posati in canaline con spigoli vivi senza protezione (fig. **3**, pagina 4).
- Isolare tutti i collegamenti e gli allacciamenti.
- Con fascette serracavi o con nastro isolante fissare i cavi, ad es. alle linee disponibili, per proteggerli dalle sollecitazioni meccaniche.

La telecamera è a tenuta stagna. Le guarnizioni della telecamera però non resistono al getto di una idropulitrice (fig. **4**, pagina 4). È opportuno perciò osservare le seguenti indicazioni per l'impiego della telecamera:

- Non aprire la telecamera in quanto ne verrebbero compromesse la tenuta e la funzionalità (fig. **5**, pagina 4).
- Non tirare i cavi perché la tenuta e la funzionalità della telecamera verrebbero compromesse (fig. **6**, pagina 4).
- La telecamera non è adatta per l'impiego sott'acqua (fig. **7**, pagina 4).

3 Dotazione

N. in fig. 8, pagina 5	Quantità	Denominazione	N. articolo
1	1	telecamera con copertura di protezione a motore	
2	2	copertura	
3	1	calotta di protezione della telecamera	
4	1	supporto della telecamera	
5	1	supporto isolante	
6	1	scatola adattatore CAM44	9102200078
7	1	cavo di prolunga	9102200030
-	1	materiale di fissaggio	

4 Accessori

Disponibile come accessorio (non in dotazione):

Denominazione	N. articolo
Scatola di comando AMP100	9600000210

5 Uso conforme alla destinazione

La telecamera CAM44 (n. art. 9600000043) è concepita principalmente per l'impiego in veicoli. Possono essere applicate in videosistemi di retromarcia che servono a controllare dal sedile di guida la zona direttamente dietro il veicolo, ad es. durante le manovre o la fase di parcheggio.



AVVERTENZA!

I videosistemi di retromarcia rappresentano un aiuto nelle manovre di retromarcia, tuttavia **non** esulano **il conducente dal dovere di guidare con particolare prudenza durante le manovre di retromarcia.**

6 Descrizione tecnica

La telecamera a colori con microfono integrato è alloggiata in una scatola in alluminio e trasmette immagini e suoni attraverso un cavo collegato ad un monitor. È dotata di un obiettivo a focale lunga e di uno a focale corta. I LED a raggi infrarossi consentono una migliore visibilità notturna.

L'obiettivo a focale lunga indica lo spazio dietro il veicolo come se il conducente guardasse dal finestrino posteriore. È possibile inserirlo se non si stanno svolgendo manovre di retromarcia.

L'obiettivo a focale corta (telecamera per la retromarcia) è un obiettivo grandangolare che indica lo spazio direttamente dietro il veicolo. Viene inserito quando si inserisce la retromarcia.

La telecamera genera nella modalità retromarcia tre contrassegni di distanza, che vengono visualizzati come linee colorate su un monitor a colori collegato.

La telecamera CAM44 è equipaggiata con una copertura di protezione a motore contro lo sporco.



NOTA

Le telecamere sono dotate in fabbrica di un'immagine speculare. Un monitor collegato deve perciò lavorare con un'immagine reale.

La telecamera è costituita dai seguenti elementi:

N. alla fig. 9, pagina 5	Denominazione
1	cavo di allacciamento a 6 poli
2	obiettivo a focale lunga
3	LED a raggi infrarossi
4	obiettivo a focale corta (telecamera per retromarcia)
5	microfono

7 Indicazioni per l'allacciamento elettrico

7.1 Posa dei cavi



AVVISO! Pericolo di danni!

- Prima di effettuare dei fori, assicurarsi che ci sia spazio sufficiente per l'uscita della punta da trapano.
- Pose e collegamenti dei cavi non eseguiti a regola d'arte portano sempre a malfunzionamenti o danni degli elementi costruttivi. Un'esecuzione corretta della posa e del collegamento dei cavi rappresenta il presupposto essenziale per un funzionamento duraturo e corretto dei componenti dell'equipaggiamento ausiliario.
- I cavi non devono venire in contatto per un periodo prolungato con solventi come ad es. benzina, poiché possono esserne danneggiati.

Osservare perciò le seguenti indicazioni.

- Per il passaggio del cavo di allacciamento impiegare, a seconda delle possibilità, canaline originali o altri tipi di aperture, ad es. spigoli dei pannelli interni, griglie di aerazione oppure interruttori finti. Se non ci sono aperture disponibili, occorre realizzare fori corrispondenti per i vari cavi. Verificare prima che ci sia uno spazio sufficiente per l'uscita del trapano.
- Quando è possibile, posare i cavi sempre all'interno del veicolo perché qui sono più protetti che al suo esterno. Se tuttavia i cavi devono essere posati all'esterno del veicolo, assicurarsi che siano fissati in modo sicuro (mediante fascette serracavi supplementari, nastro isolante e simili).
- Per evitare danni al cavo, nel posarlo fare in modo che ci sia sempre una distanza sufficiente da elementi caldi e rotanti del veicolo (tubi di scarico, alberi motore, alternatore, ventola, riscaldamento e simili). Per proteggere le parti meccaniche utilizzare un tubo ondulato o materiali di protezione simili.
- Per proteggere dalla penetrazione d'acqua, avvitare i collegamenti a spina dei cavi di collegamento (fig. **10**, pagina 5).
- Durante la posa dei cavi assicurarsi che questi
 - non vengano torti o piegati eccessivamente,
 - non sfreghino contro spigoli,
 - non vengano posati in canaline con spigoli vivi senza protezione (fig. **3**, pagina 4).
- Fissare i cavi in modo sicuro nel veicolo per evitare che si impiglino (pericolo di caduta). A questo scopo utilizzare fascette serracavi, nastro isolante o adesivi.

- Prendere le dovute precauzioni per proteggere ogni apertura realizzata nella carrozzeria in modo che non penetri acqua, ad es. mediante l'introduzione del cavo con materiale sigillante e spruzzando mastice sul cavo e sulla boccia passacavo.

**NOTA**

Iniziare l'impermeabilizzazione delle aperture solo dopo aver terminato di impostare la telecamera e aver stabilito le lunghezze necessarie dei cavi di allacciamento.

7.2 Impiego dei connettori di derivazione

Per evitare contatti difettosi nei collegamenti di derivazione è importante che le sezioni dei cavi siano adatte ai connettori di derivazione.

Per utilizzare i connettori di derivazione, procedere come segue.

- Poggiare il cavo di derivazione nella scanalatura anteriore del connettore di derivazione (fig. **11** A, pagina 6).
- Inserire l'estremità del nuovo cavo per ca. i 3/4 nella scanalatura posteriore (fig. **11** B, pagina 6).
- Chiudere il connettore e stringere con una pinza universale il pin in metallo posizionato al suo interno in modo da stabilire un collegamento di corrente (fig. **11** C, pagina 6).
- Premere il tappo di protezione verso il basso e farlo arrestare sul connettore.
- Controllare se il collegamento di derivazione è fissato bene tirando il cavo (fig. **11** D, pagina 6).

7.3 Creazione di collegamenti saldati corretti

Per saldare un cavo alle linee originali, procedere come segue.

- Rimuovere 10 mm dell'isolamento dalla linea originale (fig. **12** A, pagina 6).
- Rimuovere 15 mm dell'isolamento dal cavo da allacciare (fig. **12** B, pagina 6).
- Avvolgere il cavo che deve essere allacciato alla linea originale e saldare entrambi i cavi (fig. **12** C, pagina 6).
- Isolare i cavi con nastro isolante (fig. **12** D, pagina 6).

Per unire due cavi, procedere come segue.

- Rimuovere l'isolamento da entrambi i cavi (fig. **13** A, pagina 6).

- Posare un tubo termoretraibile di ca. 20 mm di lunghezza sopra un cavo (fig. **13** B, pagina 6).
- Torcere entrambi i cavi e saldarli insieme (fig. **13** C, pagina 6).
- Spingere il tubo termoretraibile sopra il giunto saldato e scaldarlo leggermente (fig. **13** D, pagina 6).

8 Montaggio della telecamera

8.1 Attrezzi necessari

Per l'**installazione e il montaggio** sono necessari i seguenti attrezzi:

- set di punte per trapano (fig. **1** 1, pagina 3)
- trapano (fig. **1** 2, pagina 3)
- cacciaviti (fig. **1** 3, pagina 3)
- set di chiavi ad anello o chiavi fisse (fig. **1** 4, pagina 3)
- metro (fig. **1** 5, pagina 3)
- martello (fig. **1** 6, pagina 3)
- punzone (fig. **1** 7, pagina 3)

Per l'**allacciamento elettrico** e per il controllo dello stesso sono necessari i seguenti ausili:

- lampada campione a diodi (fig. **1** 8, pagina 3) o voltmetro (fig. **1** 9, pagina 3)
- nastro isolante (fig. **1** 11, pagina 3)
- evt. boccole passacavi

Per il **fissaggio dei cavi** sono necessarie eventualmente anche altre fascette serracavi.

8.2 Montaggio della telecamera



ATTENZIONE!

Scegliere l'ubicazione della telecamera e fissarla saldamente in modo tale da impedire in qualsiasi situazione che possano venire ferite persone che si trovano nelle vicinanze, per es. se la telecamera viene staccata da rami bassi che strisciano sul tetto del veicolo.



NOTA

Se con l'installazione della telecamera vengono modificate l'altezza o la lunghezza del veicolo rispetto a quelle indicate nella carta di circolazione, è necessario fare eseguire un nuovo collaudo dagli enti competenti (TÜV, DEKRA e simili).

Far registrare il nuovo collaudo sulla carta di circolazione dall'ente per la circolazione stradale competente.

Osservare le seguenti indicazioni per il montaggio.

- Applicare la telecamera ad almeno due metri di altezza, per ottenere un angolo di visibilità ragionevole.
Durante il montaggio assicurarsi che si disponga di una superficie di ampiezza e stabilità sufficienti per lavorare.
- Assicurarsi che la telecamera sia montata in modo sufficientemente stabile (ad es. è possibile che passando sotto ad alberi i rami si possano impigliare nella telecamera sul tetto).
- Allineare la telecamera in orizzontale e disporla centralmente sulla parte posteriore del veicolo (fig. 14, pagina 7).
- Impiegare sempre la piastra isolante fornita in dotazione (fig. 8 5, pagina 5). In questo modo si evita la formazione di correnti di dispersione dovute ad un cattivo collegamento a massa nel veicolo. Le righe sulle immagini e il ronzio degli altoparlanti sono le conseguenze dovute alle correnti di dispersione.
- Il modo migliore per fissare la telecamera è con viti che passano attraverso la carrozzeria. Osservare quindi le seguenti indicazioni:
 - Dietro alla posizione scelta per il montaggio ci deve essere sufficiente spazio per permettere il montaggio.
 - Tenere presente che ogni apertura deve essere protetta con misure adeguate contro la penetrazione d'acqua (ad es. utilizzando viti con mastice e/o spruzzando mastice sui componenti di fissaggio esterni).
 - La struttura corrispondente alla zona di fissaggio deve offrire sufficiente solidità in modo che il supporto della telecamera possa essere stretto adeguatamente.

- Prima controllare che ci sia uno spazio sufficiente per l'uscita del trapano (fig. **2**, pagina 4).
- Se si nutrono dubbi sulla sicurezza del luogo di montaggio prescelto, consigliamo di richiedere informazioni presso il costruttore della carrozzeria o presso una filiale.

**NOTA**

Per ridurre al minimo la corrosione delle viti, lubrificare la filettatura.

Per eseguire il montaggio procedere come segue.

- Tenere il supporto della telecamera sul luogo di montaggio prescelto e contrassegnare almeno due diversi punti per la trapanatura (fig. **15**, pagina 7).
- Punzonare i punti precedentemente contrassegnati usando martello e punzoni per impedire una deviazione del trapano.

Per avvitare la telecamera con viti per lamiera (fig. **16, pagina 7)****AVVISO!**

Il fissaggio con viti per lamiera deve essere eseguito solo in lamiere d'acciaio con uno spessore minimo di 1,5 mm.

- Su tutti i punti precedentemente contrassegnati realizzare un foro del \varnothing di 4 mm.
- Sbavare ogni foro e trattarlo con protezione antiruggine.
- Incollare la piastra isolante biadesiva (fig. **8** 5, pagina 5) sul lato di montaggio del supporto. La piastra isolante ha anche lo scopo di impermeabilizzare e proteggere la verniciatura.
- Avvitare il supporto della telecamera con le viti per lamiera 5 x 20 mm.

Per fissare la telecamera con viti maschianti attraverso la carrozzeria del veicolo (fig. 17, pagina 7)



AVVISO!

Assicurarsi che durante il serraggio i dadi non trapassino la carrozzeria. Impiegare eventualmente rondelle di spessore maggiore o piastre in lamiera.

- Su tutti i punti precedentemente contrassegnati realizzare un foro del \varnothing di 5,5 mm.
- Sbavare ogni foro e trattarlo con protezione antiruggine.
- Incollare la piastra isolante biadesiva (fig. 8 5, pagina 5) sul lato di montaggio del supporto.
La piastra isolante ha anche lo scopo di impermeabilizzare e proteggere la verniciatura.
- Avvitare il supporto della telecamera con le viti maschianti M5 x 20 mm.
A seconda dello spessore della carrozzeria sono necessarie viti maschianti più lunghe.

Creazione dell'apertura per il passaggio del cavo di allacciamento della telecamera (fig. 18, pagina 8)



NOTA

Per il passaggio del cavo di allacciamento, utilizzare, a seconda delle possibilità, aperture già esistenti, per es. griglie di aerazione. Se non ci sono aperture disponibili, occorre realizzare un foro del \varnothing di 16 mm.



AVVISO! Pericolo di danni!

Prima controllare che ci sia uno spazio sufficiente per l'uscita del trapano.

- Realizzare un foro del \varnothing di 16 mm in prossimità della telecamera.
- Sbavare ogni foro realizzato sulla lamiera e trattarlo con antiruggine.
- Dotare tutte le canaline con spigoli vivi di una boccola passacavo.

Fissaggio della telecamera e della relativa calotta di protezione



AVVISO!

Non montare mai la telecamera senza la calotta di protezione supplementare. Per il montaggio della calotta di protezione della telecamera utilizzare solo le viti M3 x6 comprese nella fornitura. Viti più lunghe danneggiano la telecamera.

- Spingere la protezione della telecamera (fig. **8** 3, pagina 5) sopra la telecamera
 - in modo che il foro di fissaggio della protezione della telecamera (fig. **19**, pagina 8) poggi sopra il filetto di 3 mm della telecamera,
 - in modo che gli altri due fori di fissaggio (fig. **19**, pagina 8) poggino sopra i filetti di 3 mm della telecamera.
- Avvitare la protezione della telecamera con entrambe le viti M3 x 6 mm nel foro di fissaggio (fig. **19**, pagina 8).
- Inserire la telecamera nel relativo supporto (fig. **20**, pagina 8).



AVVISO!

Per montare la telecamera nel relativo supporto impiegare unicamente le viti comprese nella fornitura. Viti più lunghe danneggiano la telecamera.

- Fissare la telecamera avvitandola **senza bloccarla** con le quattro viti M3 x 8 mm negli altri due fori di fissaggio (fig. **20**, pagina 8).
La telecamera è ora centrata.
- Orientare la telecamera in modo tale che l'obiettivo formi un angolo di circa 20° con l'asse verticale del veicolo (fig. **21**, pagina 8).



NOTA

Serrare le quattro viti M3 x 8 mm solo dopo avere regolato l'inclinazione della telecamera (vedi capitolo "Verifica del funzionamento e della regolazione della telecamera" a pagina 112).

In questo caso però è necessario eventualmente montare prima un monitor e poi eseguire l'allacciamento elettrico.

8.3 Allacciamento della telecamera



NOTA

- Posare il cavo della telecamera in modo tale da arrivare senza difficoltà alla connessione a spina fra la telecamera e il cavo di prolunga nel caso in cui si debba eventualmente smontare la telecamera. Lo smontaggio viene in questo modo notevolmente facilitato.
- Per ridurre al minimo il grado di corrosione nella spina, consigliamo di spalmare su una delle spine uno strato di grasso, ad es. grasso per poli della batteria.

- Far passare il cavo della telecamera all'interno del veicolo.
- Inserire la spina del cavo della telecamera nella presa del cavo di prolunga (fig. 10 A, pagina 5).
- Per proteggere dalla penetrazione d'acqua, avvitare i collegamenti a spina dei cavi di collegamento (fig. 10, pagina 5).

8.4 Collegamento della scatola di comando 9102200078 (fig. 24, pagina 9)

La scatola di comando è pronta per il montaggio.

- Fissare la scatola di comando in un posto adatto.
- Allacciare la scatola di comando alla corrente nel modo seguente.
 - Allacciare gli ingressi della telecamera del monitor agli allacciamenti "V1" e "V2".
 - Allacciare il cavo di sistema della telecamera al collegamento "TWIN".

La telecamera viene accesa o spenta mediante la retromarcia o il tasto di selezione telecamera posto sul motore.

8.5 Collegamento della scatola di comando AMP100 (fig. 25, pagina 10)



NOTA

Se si desidera utilizzare entrambi i moduli della telecamera durante la marcia in avanti è necessario montare il commutatore a levetta in dotazione (vedi le Istruzioni di montaggio e d'uso per AMP100).

La scatola di comando (non inclusa nella fornitura) è pronta per il montaggio.

- Montare la scatola di comando come descritto nelle Istruzioni di montaggio e d'uso allegate.

**NOTA**

L'uscita "2" della scatola di comando deve essere collegata utilizzando ad es. un monitor esterno.

- Collegare la scatola di comando alla rete elettrica come descritto nelle Istruzioni di montaggio e d'uso allegate.

8.6 Verifica del funzionamento e della regolazione della telecamera

**NOTA**

I valori di distanza dei contrassegni di distanza (vedi fig. **26**, pagina 10) sono validi solamente se la telecamera è stata montata a un'altezza di ca. 230–250 cm. Dopo l'installazione della telecamera controllare l'altezza di montaggio effettiva. Se l'altezza di montaggio dovesse differire da questi valori, rilevare gli effettivi valori di distanza per i contrassegni di distanza.

- Verificare il funzionamento della telecamera dopo averla collegata ad un monitor.
- Eventualmente orientare la telecamera sulla base dell'immagine del monitor: l'immagine sul monitor deve indicare sul margine inferiore la parte posteriore o il paraurti del proprio veicolo. La parte centrale del paraurti dovrebbe trovarsi al centro del monitor (fig. **23**, pagina 9).
- Per fissare la telecamera, serrare le quattro viti di fissaggio.
- Montare le coperture laterali e fissarle ognuna con una vite di fissaggio (fig. **22**, pagina 8).

Effettuare le regolazioni quali contrasto e luminosità direttamente sul monitor.

9 Impiego della telecamera

9.1 Valutazione delle distanze

La telecamera genera nella modalità retromarcia tre contrassegni di distanza, che vengono visualizzati come linee colorate su un monitor a colori collegato (fig. 26, pagina 10).

Le linee facilitano la valutazione della distanza del veicolo rispetto a un ostacolo.

Se la telecamera è montata ad un'altezza di ca. 230 – 250 cm, le linee indicano le seguenti distanze:

Colore	Distanza
verde (A)	ca. 3 m
giallo (B)	ca. 1 m
rosso (C)	ca. 0,3 m

10 Cura e pulizia della telecamera



AVVISO!

Per la pulizia non impiegare detersivi corrosivi o oggetti ruvidi perché potrebbero provocare danni all'apparecchio.

- Pulire la telecamera di tanto in tanto con un panno morbido umido.

11 Garanzia

Vale il termine di garanzia previsto dalla legge. Qualora il prodotto risultasse difettoso, La preghiamo di rivolgersi alla filiale del produttore del suo Paese (l'indirizzo si trova sul retro del manuale di istruzioni), oppure al rivenditore specializzato di riferimento.

Per la riparazione o il disbrigo delle condizioni di garanzia è necessario inviare quanto segue:

- i componenti difettosi,
- una copia della fattura con la data di acquisto del prodotto,
- un motivo su cui fondare il reclamo, oppure una descrizione del guasto.


12 Smaltimento

- Raccogliere il materiale di imballaggio possibilmente negli appositi contenitori di riciclaggio.



Quando il prodotto viene messo fuori servizio definitivamente, informarsi al centro di riciclaggio più vicino, oppure presso il proprio rivenditore specializzato, sulle prescrizioni adeguate concernenti lo smaltimento.

13 Specifiche tecniche

	PerfectView CAM44
N. art.:	9600000043
Sensore di immagine:	Visione a lunga distanza: 1/4" Color CMOS Sensor, ca. 290000 pixel, 648(H) x 488(V) Visione a breve distanza: 1/3" CMOS, 762(H) x 504(V)
Sistema TV:	PAL
Sensibilità:	< 1 Lux o 0,0 Lux con LED IR (visione a breve distanza)
Angolo di visibilità:	obiettivo a focale lunga: ca. 50° obiettivo a focale corta: ca. 140° in diagonale
Sensibilità microfono:	ca. 56 dB
Temperatura di magazzinaggio:	da -30 °C a +85 °C
Temperatura di esercizio:	da -30 °C a +70 °C
Tensione di esercizio:	12 – 16 V===
Consumo:	max. 4 W
Dimensioni L x H x P (con supporto):	114 x 74 x 62 mm
Peso:	ca. 360 g
Omologazioni:	

Lees deze handleiding voor de montage en de ingebruikname zorgvuldig door en bewaar hem. Geef de handleiding bij het doorgeven van het product aan de gebruiker.

Inhoudsopgave

1	Verklaring van de symbolen	117
2	Veiligheids- en montage-instructies	117
3	Omvang van de levering	120
4	Toebehoren.	120
5	Gebruik volgens de voorschriften	120
6	Technische beschrijving	121
7	Instructies voor de elektrische aansluiting	122
8	Camera monteren	125
9	De camera gebruiken	131
10	Camera onderhouden en reinigen	131
11	Garantie	131
12	Afvoer	132
13	Technische gegevens	132

1 Verklaring van de symbolen

**WAARSCHUWING!**

Veiligheidsaanwijzing: Het niet naleven kan leiden tot overlijden of ernstig letsel.

**VOORZICHTIG!**

Veiligheidsaanwijzing: Het niet naleven kan leiden tot letsel.

**LET OP!**

Het niet naleven ervan kan leiden tot materiële schade en de werking van het product beperken.

**INSTRUCTIE**

Aanvullende informatie voor het bedienen van het product.

2 Veiligheids- en montage-instructies

Neem de veiligheidsinstructies en voorschriften van de fabrikant van het voertuig en het garagebedrijf in acht!

De fabrikant kan in de volgende gevallen niet aansprakelijk worden gesteld voor schade:

- montage- of aansluitfouten
- beschadiging van het product door mechanische invloeden en overspanningen
- veranderingen aan het product zonder uitdrukkelijke toestemming van de fabrikant
- gebruik voor andere dan de in de handleiding beschreven toepassingen

Neem daarom de volgende instructies in acht:

- In verband met kortsluitingsgevaar moet voor werkzaamheden aan het elektrische systeem van het voertuig altijd de minpool worden losgekoppeld. Bij voertuigen met een extra accu moet ook hier de minpool worden losgekoppeld.

- Ontoereikende leidingverbindingen kunnen tot gevolg hebben, dat door kortsluiting
 - kabelbranden ontstaan,
 - de airbag wordt geactiveerd,
 - elektronische besturingsinrichtingen worden beschadigd,
 - elektrische functies uitvallen (knipperlicht, remlicht, claxon, contact, licht).
- Gebruik bij werkzaamheden aan de volgende leidingen alleen geïsoleerde kabelschoenen, stekkers en vlaksteker-kabelschoenen:
 - 30 (ingang van accu plus direct),
 - 15 (geschakelde plus, achter accu),
 - 31 (retourleiding vanaf accu, massa),
 - 58 (achteruitrijlicht).

Gebruik **geen** kroonstenen.

- Gebruik een krimptang (afb. **1** 10, pagina 3) voor het verbinden van de kabels.
- Schroef de kabel bij aansluitingen aan leiding 31 (massa)
 - met kabelschoen en getande ring aan een massaschroef van het voertuig of
 - met kabelschoen en plaatschroef aan de carrosserieplaat.

Let op een goede massaverbinding!

Bij het loskoppelen van de minpool van de accu verliezen alle vluchtige geheugens van de elektronica voor comfortvoorzieningen de opgeslagen data.

- De volgende data moet u afhankelijk van de voertuiguitrusting opnieuw instellen:
 - radiocode
 - voertuigklok
 - tijdschakelklok
 - boordcomputer
 - stoelinstelling

Instructies voor het instellen vindt u in de betreffende gebruiksaanwijzing.

Neem bij de montage de volgende instructies in acht:

- Bevestig de in het voertuig te monteren delen van de camera zodanig, dat deze in geen geval (hard remmen, verkeersongeval) los kunnen raken en tot **verwondingen bij de inzittenden van het voertuig** kunnen leiden.
- Bevestig onderdelen die afgedekt onder bekledingen moeten worden aangebracht zodanig, dat ze niet losraken of andere onderdelen en leidingen beschadigen en geen functies van het voertuig (besturing, pedalen etc.) kunnen beperken.

- Let er bij het boren op dat er ook achter het te doorboren oppervlak genoeg ruimte is voor de boor, zo kunt u schade voorkomen (afb. **2**, pagina 4).
- Ontbraam elk boorgat en behandel de boorgaten met antiroestmiddel.
- Neem altijd de veiligheidsinstructies van de fabrikant van het voertuig in acht. Een paar werkzaamheden (bijv. aan beveiligingssystemen zoals AIRBAG etc.) mogen alleen door geschoolde vaklui uitgevoerd worden.

Neem bij werkzaamheden aan elektrische onderdelen de volgende instructies in acht:

- Gebruik voor het controleren van de spanning in elektrische leidingen uitsluitend een diodetestlamp (afb. **1** 8, pagina 3) of een voltmeter (afb. **1** 9, pagina 3). Testlampen met een lampbehuizing (afb. **1** 12, pagina 3) verbruiken te veel stroom, waardoor het elektrisch systeem van het voertuig beschadigd kan worden.
- Let er bij het leggen van de elektrische aansluitingen op dat deze
 - niet worden geknikt of verdraaid,
 - niet langs randen schuren,
 - niet zonder bescherming door doorvoeren met scherpe randen worden gelegd (afb. **3**, pagina 4).
- Isoleer alle verbindingen en aansluitingen.
- Borg de kabels tegen mechanische belasting met kabelverbinders of isolatieband, bijv. aan de aanwezige leidingen.

De camera is waterdicht. De afdichtingen van de camera beschermen echter niet tegen een hogedrukreiniger (afb. **4**, pagina 4). Neem daarom de volgende instructies voor de omgang met de camera in acht:

- Open de camera niet, aangezien hierdoor de dichtheid en werking van de camera beperkt kunnen worden (afb. **5**, pagina 4).
- Trek niet aan de kabels, aangezien hierdoor de dichtheid en werking van de camera beperkt kunnen worden (afb. **6**, pagina 4).
- De camera is niet voor gebruik onder water geschikt (afb. **7**, pagina 4).

3 Omvang van de levering

Nr. in afb. 8, pagina 5	Aantal	Omschrijving	Artikelnr.
1	1	Camera met gemotoriseerde veiligheidsklep	
2	2	Afdekking	
3	1	Camerabescherming	
4	1	Camerahouder	
5	1	Isolatieplaat	
6	1	Adapterbox CAM44	9102200078
7	1	Verlengsnoer	9102200030
-	1	Bevestigingsmateriaal	

4 Toebehoren

Ale toebehoren verkrijgbaar (niet in de leveringsomvang inbegrepen):

Omschrijving	Artikelnr.
Schakelbox AMP100	9600000210

5 Gebruik volgens de voorschriften

De camera CAM44 (art.-nr. 9600000043) is met name bestemd voor gebruik in voertuigen. Deze kan geïntegreerd worden in achteruitrijvideosystemen, die voor het waarnemen van het bereik direct achter het voertuig vanuit de bestuurdersstoel dienen, bijv. bij het rangeren of parkeren.



WAARSCHUWING!

Achteruitrijvideosystemen zijn een hulpmiddel bij het achteruitrijden, zij ontslaan u echter **niet** van **de plicht bijzonder voorzichtig te zijn bij het achteruitrijden.**

6 Technische beschrijving

De kleurencamera met geïntegreerde microfoon is bevestigd in een aluminium behuizing en geeft beeld en geluid via een kabel door aan een monitor. Deze bezit een teleobjectief en een groothoekobjectief. Door de infrarood-LED's wordt de nachtwoergave verbeterd.

Het teleobjectief laat de ruimte achter het voertuig zien, alsof u uit een achterraut kijkt. U kunt het inschakelen, als u niet in de achteruitversnelling rijdt.

Het groothoekobjectief (achteruitrijcamera) is een objectief dat de ruimte direct achter het voertuig laat zien. Het wordt door inschakelen van de achteruitversnelling geactiveerd.

De camera maakt in de achteruitmodus drie afstandsmarkeringen aan, die in een aangesloten kleurenmonitor als gekleurde lijnen weergegeven worden.

De camera CAM44 is uitgerust met een gemotoriseerde veiligheidsklep tegen vervuiling.



INSTRUCTIE

De camera's zijn in de fabriek uitgerust met een weergave in spiegelbeeld. Een aangesloten monitor moet daarom met een functie voor normaal beeld werken.

De camera bestaat uit de volgende elementen:

Nr. in afb. 9, pagina 5	Omschrijving
1	6-polige aansluitkabel
2	Teleobjectief
3	Infrarood-LED's
4	Groothoekobjectief (achteruitrijcamera)
5	Microfoon

7 Instructies voor de elektrische aansluiting

7.1 Kabels aanleggen



LET OP! Gevaar voor beschadiging!

- Als u gaten boort, controleer dan voordien of er voldoende vrije ruimte voor de boor voorhanden is.
- Niet vakkundig aanleggen of verbinden van kabels leidt steeds weer tot storingen of beschadigingen van onderdelen. Het correct aanleggen en verbinden van kabels is een voorwaarde voor een duurzame en storingsvrije werking van de later aangebouwde componenten.
- De kabels mogen niet lang met oplosmiddelen zoals b. v. benzine in aanraking komen, omdat oplosmiddelen de kabels beschadigen.

Neem daarom de volgende instructies in acht:

- Gebruik voor de doorvoer van de aansluitkabels indien mogelijk originele doorvoeren of andere doorvoermogelijkheden, zoals b. v. bekledingsranden, ventilatieroosters of blinde schakelaars. Als er geen doorvoeren voorhanden zijn, moet u voor de betreffende kabels bijbehorende gaten boren. Controleer van tevoren of er voldoende ruimte is voor de boor aan de achterkant.
- Leg de kabels indien mogelijk altijd binnen in het voertuig aan, want daar zijn ze beter beschermd dan buiten op het voertuig.
Als u de kabels desondanks buiten op het voertuig aanlegt, let dan op een veilige bevestiging (door extra kabelverbinders, isolatieband etc.).
- Houd bij het aanleggen van de kabels altijd voldoende afstand tot hete en bewegende voertuigonderdelen (uitlaatpijpen, aandrijfassen, dynamo, ventilatoren, verwarming etc.) om beschadigingen aan de kabel te vermijden. Gebruik voor de mechanische bescherming ribbelbuis of soortgelijke beschermingsmaterialen.
- Schroef de steekverbindingen van de verbindingkabels ter bescherming tegen het indringen van water (afb. **10**, pagina 5) vast.
- Let er bij het leggen van de kabels op dat deze
 - niet te zeer worden geknikt of verdraaid,
 - niet langs randen schuren,
 - niet zonder bescherming door doorvoeren met scherpe randen worden gelegd (afb. **3**, pagina 4).

- Bevestig de kabels veilig in het voertuig om verstrikken (gevaar om te vallen) te vermijden. Dit kan gebeuren door kabelverbinders, isolatieband of door vastplakken met lijm.
- Bescherm iedere doorvoer aan de buitenkant d.m.v. geschikte maatregelen tegen het binnendringen van water, bijv. door de kabel met afdichtingspasta aan te brengen en door de kabel en de doorvoertule in te spuiten met afdichtingspasta.



INSTRUCTIE

Begin met het afdichten van de doorvoeren pas nadat alle instelwerkzaamheden aan de camera zijn afgesloten en de benodigde lengtes van de aansluitkabels vastliggen.

7.2 Connector gebruiken

Om loszittende contacten bij de connectors te vermijden, is het belangrijk dat de kabeldiameters bij de connectors passen.

Ga als volgt te werk om de connectors te gebruiken:

- ▶ Leg de kabel die afgetapt moet worden in de voorste groef van de connector (afb. **11** A, pagina 6).
- ▶ Leg de nieuwe kabel met het uiteinde tot ca. 3/4 in de achterste groef (afb. **11** B, pagina 6).
- ▶ Sluit de connector en druk met een combinatietang het metalen verbindingsplaatje in de connector, zodat er een stroomverbinding tot stand gebracht wordt (afb. **11** C, pagina 6).
- ▶ Druk het beschermingskapje naar beneden en laat het bij de connector vastklikken.
- ▶ Controleer de bevestiging van de connector door trekken aan de kabel (afb. **11** D, pagina 6).

7.3 Correcte soldeerverbindingen maken

Ga als volgt te werk om een kabel aan originele leidingen te solderen:

- Strip 10 mm van de originele leiding (afb. **12** A, pagina 6).
- Strip 15 mm van de aan te sluiten kabel (afb. **12** B, pagina 6).
- Wikkel de aan te sluiten kabel om de originele leiding en soldeer de beide kabels (afb. **12** C, pagina 6).
- Isoleer de kabels met isolatieband (afb. **12** D, pagina 6).

Ga als volgt te werk om twee kabels met elkaar te verbinden:

- Strip beide kabels (afb. **13** A, pagina 6).
- Trek een krimpslang met een lengte van ca. 20 mm over één kabel (afb. **13** B, pagina 6).
- Draai de beide kabels in elkaar en soldeer ze aan elkaar (afb. **13** C, pagina 6).
- Schuif de krimpslang over het soldeerpunt en verwarm hem lichtjes (afb. **13** D, pagina 6).

8 Camera monteren

8.1 Benodigd gereedschap

Voor **inbouw en montage** hebt u de volgende gereedschappen nodig:

- set boren (afb. **1** 1, pagina 3)
- boormachine (afb. **1** 2, pagina 3)
- schroevendraaier (afb. **1** 3, pagina 3)
- set ring- of steeksleutels (afb. **1** 4, pagina 3)
- rolmaat (afb. **1** 5, pagina 3)
- hamer (afb. **1** 6, pagina 3)
- center (afb. **1** 7, pagina 3)

Voor de **elektrische aansluiting** en de controle daarvan hebt u de volgende hulpmiddelen nodig:

- diodetestlamp (afb. **1** 8, pagina 3) of voltmeter (afb. **1** 9, pagina 3)
- isolatieband (afb. **1** 11, pagina 3)
- evt. kabeldoorvoertulen

Voor het **bevestigen van de kabels** hebt u evt. nog meer kabelverbinders nodig.

8.2 Camera monteren



VOORZICHTIG!

Kies de plaats van de camera zo en bevestig hem zo vast, dat in geen geval in de buurt staande personen gewond kunnen raken, bijv. omdat over het dak van het voertuig strijkende takken de camera afbreken.



INSTRUCTIE

Als door de aanbouw van de camera de voertuighoogte of voertuiglengte zoals aangegeven in de voertuigpapieren wordt veranderd, moet er een nieuwe inspectie door de betreffende instanties plaatsvinden (in Duitsland: TÜV, DEKRA etc.). Laat de nieuwe inspectie door de betreffende dienst voor wegverkeer in de voertuigpapieren zetten.

Neem bij de montage de volgende instructies in acht:

- Breng de camera voor een goede gezichtshoek op ten minste twee meter hoogte aan.
Let bij de montage op een voldoende stevige werkplek.
- Let erop dat de montageplaats van de camera stevig genoeg is (er kunnen bijv. takken die tegen het dak komen in de camera verstrikt raken).
- Monteer de camera horizontaal en in het midden aan de achterkant van het voertuig (afb. **14**, pagina 7).
- Gebruik absoluut de meegeleverde isolatieplaat (afb. **8** 5, pagina 5). Hierdoor worden foutstromen door slechte massaverbindingen in het voertuig verhindert. Strepen op het beeld of brommen in de luidspreker en beschadigingen zijn gevolgen van foutstromen.
- De veiligste manier van bevestigen zijn schroeven die door de opbouw gaan. Neem hierbij de volgende instructies in acht:
 - Achter de gekozen montagepositie moet voldoende vrije ruimte voor de montage voorhanden zijn.
 - Elke doorvoer moet door geschikte maatregelen tegen binnenkomend water beschermd worden (bijv. door het aanbrengen van de schroeven met afdichtingspasta en/of door het inspuiten van de buitenste bevestigingsonderdelen met afdichtingspasta).
 - De opbouw aan de bevestigingsplaats moet voldoende stevigheid bieden, zodat de camerahouder voldoende stevig vastgedraaid kan worden.
- Controleer van tevoren of er voldoende ruimte is voor de boor aan de achterkant (afb. **2**, pagina 4).
- Als u niet zeker bent over de door u gekozen montageplaats, neem dan contact op met de fabrikant van de opbouw of een vertegenwoordiger hiervan.



INSTRUCTIE

Om corrosie van de schroeven te minimaliseren wordt aanbevolen de schroefdraad in te vetten.

Ga bij de montage als volgt te werk:

- ▶ Houd de camerahouder op de gekozen montageplaats en markeer minstens 2 verschillende boorpunten (afb. **15**, pagina 7).
- ▶ Maak op de voordien gemarkeerde punten met hamer en center een gaatje om het verlopen van de boor te verhinderen.

Als u de camera met plaatschroeven wilt aanbrengen (afb. 16, pagina 7)**LET OP!**

De bevestiging met plaatschroeven mag alleen in stalen platen met een minimumdikte van 1,5 mm gebeuren.

- ▶ Boor in de voordien gemarkeerde punten telkens een gat van \varnothing 4 mm.
- ▶ Ontbraam alle boorgaten en behandel ze met antiroestmiddel.
- ▶ Plak de aan beide zijden klevende isolatieplaat (afb. 8 5, pagina 5) op de montagezijde van de houder.
De isolatieplaat dient ook als afdichting en lakbescherming.
- ▶ Breng de camerahouder met de plaatschroeven 5 x 20 mm aan.

Als u de camera met tapschroeven door de opbouw wilt bevestigen (afb. 17, pagina 7)**LET OP!**

Let erop dat de moeren bij het vastdraaien niet door de opbouw kunnen trekken.

Gebruik evt. grotere onderleggingen of metalen platen.

- ▶ Boor in de voordien gemarkeerde punten telkens een gat van \varnothing 5,5 mm.
- ▶ Ontbraam alle boorgaten en behandel ze met antiroestmiddel.
- ▶ Plak de aan beide zijden klevende isolatieplaat (afb. 8 5, pagina 5) op de montagezijde van de houder.
De isolatieplaat dient ook als afdichting en lakbescherming.
- ▶ Schroef de camerahouder met de tapschroeven M5 x 20 mm vast.
De lengte van de tapschroeven is afhankelijk van de dikte van de opbouw.

Doorvoer voor de aansluitkabel van de camera maken (afb. 18, pagina 8)**INSTRUCTIE**

Gebruik voor de doorvoer van de aansluitkabels indien mogelijk reeds aanwezige doorvoermogelijkheden, b. v. ventilatieroosters. Als er geen doorvoeren zijn, moet u een gat van \varnothing 16 mm boren.

**LET OP! Gevaar voor beschadiging!**

Controleer van tevoren of er voldoende ruimte is voor de boor aan de achterkant.

- Boor in de buurt van de camera een gat van \varnothing 16 mm.
- Ontbraam alle boorgaten die in een metalen plaat zijn gemaakt en behandel ze met antiroestmiddel.
- Voorzie alle doorvoeren met scherpe randen van een doorvoertule.

Camera en camerabescherming bevestigen**LET OP!**

Monteer de camera nooit zonder de extra camerabescherming. Gebruik voor de montage van de camerabescherming alleen de meegeleverde schroeven M3 x 6 mm. Langere schroeven beschadigen de camera.

- Schuif de camerabescherming (afb. 8 3, pagina 5) zo over de camera
 - dat de bevestigingsboring van de camerabescherming (afb. 19, pagina 8) boven de 3-mm-schroefdraad van de camera ligt.
 - dat de beide andere bevestigingsboringen (afb. 19, pagina 8) boven de 3-mm-schroefdraden van de camera liggen.
- Bevestig de camerabescherming met de beide schroeven M3 x 6 mm in de bevestigingsboring (afb. 19, pagina 8).
- Schuif de camera in de camerahouder (afb. 20, pagina 8).

**LET OP!**

Gebruik voor de montage van de camera in de camerahouder alleen de meegeleverde schroeven. Langere schroeven beschadigen de camera.

- Bevestig de camera **losjes** met de vier schroeven M3 x 8 mm in de beide andere bevestigingsboringen (afb. 20, pagina 8).
De camera is nu gecentreerd.

- Richt de camera zo, dat het objectief een hoek van ca. 20° met de verticale as van het voertuig vormt (afb. **21**, pagina 8).

**INSTRUCTIE**

De vier schroeven M3 x 8 mm worden pas vastgedraaid als u de camera gericht hebt (zie hoofdstuk „Werking controleren en camera instellen” op pagina 130).

Hiervoor moet u echter evt. eerst nog een monitor monteren en elektrisch aansluiten.

8.3 Camera aansluiten

**INSTRUCTIE**

- Plaats de camerakabel zodanig, dat u bij een eventueel noodzakelijke uitbouw van de camera makkelijk bij de stekkerverbinding tussen camera en verlengkabel kunt komen. De demontage wordt daardoor aanzienlijk vereenvoudigd.
- Om corrosie in de stekker te minimaliseren, adviseren wij om een beetje vet, b. v. poolvet in een van de stekkers aan te brengen.

- Leid de camerakabel in het voertuig.
- Steek de stekker van de camerakabel in de stekkerbus van de verlengkabel.
- Schroef de steekverbindingen van de verbindingkabels ter bescherming tegen het indringen van water (afb. **10**, pagina 5) vast.

8.4 Schakelbox 9102200078 (afb. **24**, pagina 9)

De schakelbox is klaar om te monteren geleverd.

- Bevestig de schakelbox op een geschikte plaats.
- Sluit de schakelbox elektrisch als volgt aan:
 - Sluit de camera-ingangen van de monitor op de aansluitingen „V1” en „V2” aan.
 - Sluit de systeemkabel van de camera op de aansluiting „TWIN” aan.

De camera wordt via de achteruitversnelling of de camerakeuzetoets aan de monitor in- resp. uitgeschakeld.

8.5 Schakelbox AMP100 (afb. 25, pagina 10)



INSTRUCTIE

Als u beide cameramodules bij het vooruitrijden wilt gebruiken, moet u de meegeleverde tuimelschakelaar monteren (zie montagehandleiding en gebruiksaanwijzing voor AMP100).

De schakelbox (niet bij de levering inbegrepen) is montageklaar voorbereid.

- Monteer de schakelbox zoals beschreven in de bijbehorende montagehandleiding en gebruiksaanwijzing.



INSTRUCTIE

De uitgang „2” van de schakelbox is een hulpuitgang om bijv. een vreemde monitor aan te sluiten.

- Sluit de schakelbox elektrisch aan, zoals beschreven in de bijbehorende montagehandleiding en gebruiksaanwijzing.

8.6 Werking controleren en camera instellen



INSTRUCTIE

De afstandswaarden van de afstandsmarkeringen (zie hoofdstuk „Afstanden inschatten” op pagina 131) gelden alleen, wanneer de camera op een hoogte van ca. 230 – 250 cm gemonteerd is. Controleer na de montage van de camera de werkelijke montagehoogte.

Wijkt de montagehoogte van deze waarden af, bereken dan de werkelijke afstandswaarden voor de afstandsmarkeringen.

- Controleer de werking van de camera na aansluiten van een monitor.
- Richt de camera indien nodig aan de hand van het monitorbeeld: het monitorbeeld moet aan de onderkant van het beeld de achterkant of de bumper van uw voertuig weergeven. Het midden van de bumper moet ook in het midden van het monitorbeeld zijn (afb. 23, pagina 9).
- Draai de vier bevestigingsschroeven van de camera vast.
- Plaats de zijafdekkingen en borg deze met één bevestigingsschroef per afdekking (afb. 22, pagina 8).

Contrast en helderheid e.d. worden op de monitor ingesteld.

9 De camera gebruiken

9.1 Afstanden inschatten

De camera maakt in de achteruitmodus drie afstandsmarkeringen aan, die in een aangesloten kleurenmonitor als gekleurde lijnen weergegeven worden (afb. 26, pagina 10).

De lijnen vergemakkelijken de inschatting van de afstand van het voertuig tot een hindernis.

Wanneer de camera op een hoogte van ca. 230 – 250 cm gemonteerd is, geven de lijnen de volgende afstanden weer:

Kleur	Afstand
groen (A)	ca. 3 m
geel (B)	ca. 1 m
rood (C)	ca. 0,3 m

10 Camera onderhouden en reinigen



LET OP!

Voor het reinigen geen scherpe of bijtende middelen gebruiken, omdat dit kan leiden tot schade aan het toestel.

- Reinig de camera af en toe met een zachte, vochtige doek.

11 Garantie

De wettelijke garantieperiode is van toepassing. Als het product defect is, wendt u zich tot het filiaal van de fabrikant in uw land (adressen zie achterkant van de handleiding) of tot uw speciaalzaak.

Voor de afhandeling van de reparatie of garantie dient u het volgende mee op te sturen:

- defecte onderdelen,
- een kopie van de factuur met datum van aankoop,
- reden van de klacht of een beschrijving van de storing.

12 Afvoer

- Laat het verpakkingsmateriaal indien mogelijk recycelen.



Als u het product definitief buiten bedrijf stelt, informeer dan bij het dichtstbijzijnde recyclingcentrum of uw speciaalzaak naar de betreffende afvoervoorschriften.

13 Technische gegevens

	PerfectView CAM44
Art.-nr.:	9600000043
Beeldsensor:	Afstandsicht: 1/4" Color CMOS sensor, ca. 290000 pixels, 648(H) x 488(V) Zicht dichtbij: 1/3" CMOS, 762(H) x 504(V)
TV-systeem:	PAL
Gevoeligheid:	< 1 lux of 0,0 lux met IR LED (zicht dichtbij)
Gezichtshoek:	teleobjectief: ca. 50° grootobjectief: ca. 140° diagonaal
Microgevoeligheid:	ca. 56 dB
Opslagtemperatuur:	-30 °C tot +85 °C
Bedrijfstemperatuur:	-30 °C tot +70 °C
Bedrijfsspanning:	12 – 16 V $\overline{=}$
Verbruik:	max. 4 W
Afmetingen b x h x d (met houder):	114 x 74 x 62 mm
Gewicht:	ca. 360 g
Certificaties:	

Læs denne vejledning omhyggeligt igennem før installation og ibrugtagning, og opbevar den. Giv den til brugeren, hvis du giver produktet videre.

Indholdsfortegnelse

1	Forklaring af symbolerne	134
2	Sikkerheds- og installationshenvisninger	134
3	Leveringsomfang	137
4	Tilbehør	137
5	Korrekt brug	137
6	Teknisk beskrivelse	138
7	Henvisninger til den elektriske tilslutning	139
8	Montering af kameraet	141
9	Anvendelse af kameraet	147
10	Vedligeholdelse og rengøring af kameraet	147
11	Garanti	147
12	Bortskaffelse	148
13	Tekniske data	148

1 Forklaring af symbolerne

**ADVARSEL!**

Sikkerhedshenvisning: Manglende overholdelse kan medføre død eller alvorlig kvæstelse.

**FORSIGTIG!**

Sikkerhedshenvisning: Manglende overholdelse kan medføre kvæstelser.

**VIGTIGT!**

Manglende overholdelse kan medføre materielle skader og begrænse produktets funktion.

**BEMÆRK**

Supplerende informationer om betjening af produktet.

2 Sikkerheds- og installations-henvisninger

Overhold sikkerhedshenvisningerne og pålæggene, der er foreskrevet af køretøjsproducenten og af automobilbranchen!

Producenten påtager sig intet ansvar for skader i følgende tilfælde:

- Monterings- eller tilslutningsfejl
- Beskadigelser på produktet på grund af mekanisk påvirkning og overspænding
- Ændringer på produktet uden udtrykkelig tilladelse fra producenten
- Anvendelse til andre formål end dem, der er beskrevet i vejledningen

Overhold derfor følgende henvisninger:

- Afbryd på grund af faren for kortslutning altid minuspolen før arbejder på køretøjs el-system.
Ved køretøjer med ekstra batteri skal du også afbryde minuspolen på dette batteri.

- Utilstrækkelige ledningsforbindelser kan føre til, at en kortslutning
 - fører til kabelbrand,
 - udløser airbaggen,
 - beskadiger elektroniske styreanordninger,
 - forårsager, at elektriske funktioner svigter (blinklys, bremselys, horn, tænding, lys).
- Anvend kun isolerede kabelsko, stik og fladstiksmuffer ved arbejder på de følgende ledninger:
 - 30 (indgang på batteri plus direkte)
 - 15 (tilkoblet plus, bag batteri)
 - 31 (tilbageføring fra batteri, stel)
 - 58 (baklygte)

Anvend **ikke** kronemuffer.

- Anvend en krympetang (fig. **1** 10, side 3) til at forbinde kablerne.
- Skru ved tilslutninger til ledning 31 (stel) kablet
 - på en køretøjsegnet stelskrue ved hjælp af kabelsko og tandskive eller
 - på karosseripladen ved hjælp af kabelsko og pladeskrue.

Sørg for god stelforbindelse!

Når batteriets minuspol afbrydes, mister alle komfortelektronikkens flygtige lagre de gemte data.

- Afhængigt af køretøjets udstyr skal du indstille følgende data igen:
 - Radiokode
 - Køretøjets ur
 - Kontaktur
 - Køretøjets computer
 - Sædeposition

Henvisninger til indstillingen findes i den pågældende betjeningsvejledning.

Overhold følgende henvisninger ved monteringen:

- Fastgør de dele af kameraet, der er monteret i køretøjet, så de under ingen omstændigheder (hård opbremsning, trafikuheld) løsner sig og kan føre til **kvæstelse af dem, der sidder i køretøjet**.
- Fastgør de af systemets dele, der skal monteres skjult under beklædningerne, så de ikke kan løsne sig, beskadige andre dele og ledninger og begrænse køretøjets funktioner (styring, pedaler osv.).
- For at undgå skader, når du borer, skal du sørge for tilstrækkeligt frirum, hvor boret kommer ud (fig. **2**, side 4).

- Fjern grater fra hvert hul, og behandl dem med rustbeskyttelsesmiddel.
- Læs altid sikkerhedshenvisningerne fra køretøjets producent. Nogle arbejder (f.eks. på fastholdelsessystemer som AIRBAG osv.) må kun foretages af uddannet fagpersonale.

Overhold følgende henvisninger ved arbejde på elektriske dele:

- Anvend kun en diodeprøvelampe (fig. **1** 8, side 3) eller et voltmeter (fig. **1** 9, side 3) til spændingskontrol i elektriske ledninger. Testlamper med et lyselement (fig. **1** 12, side 3) optager for høj strøm. Derved kan køretøjets elektronik beskadiges.
- Når de elektriske tilslutninger etableres, skal det sikres, at de
 - ikke knækkes eller snos,
 - ikke skurer mod kanter,
 - ikke trækkes uden beskyttelse mod gennemføringer med skarpe kanter (fig. **3**, side 4).
- Isolér alle forbindelser og tilslutninger.
- Sørg for at sikre kablerne mod mekanisk belastning ved hjælp af kabelbindere eller isoleringsbånd, f.eks. på eksisterende ledninger.

Kameraet er vandtæt. Kameraets tætninger må dog ikke udsættes for en højtryksrensning (fig. **4**, side 4). Overhold derfor følgende henvisninger til omgang med kameraet:

- Åbn ikke kameraet, da det reducerer dets tæthed og funktionsevne (fig. **5**, side 4).
- Træk ikke i kablerne, da det reducerer kameraets tæthed og funktionsevne (fig. **6**, side 4).
- Kameraet er ikke egnet til anvendelse under vand (fig. **7**, side 4).

3 Leveringsomfang

Nr. på fig. 8, side 5	Mængde	Betegnelse	Artikel-nr.
1	1	Kamera med motordrevet beskyttelsesklap	
2	2	Afdækning	
3	1	Kamerabeskyttelse	
4	1	Kameraholder	
5	1	Isoleringsunderlag	
6	1	Adapterboks CAM44	9102200078
7	1	Forlænger kabel	9102200030
-	1	Fastgørelsesmateriale	

4 Tilbehør

Kan fås som tilbehør (ikke indeholdt i leveringsomfanget):

Betegnelse	Artikel-nr.
Kontrolboks AMP100	9600000210

5 Korrekt brug

Kameraet CAM44 (art.nr. 9600000043) er først og fremmest beregnet til anvendelse i køretøjer. Det kan anvendes i bakkamerasystemer, der bruges til at se området lige bag ved køretøjet fra førersædet, f.eks. når der rangeres eller parkeres.



ADVARSEL!

Bakkamerasystemer er en støtte, når der bakkes, men de fritager dig **ikke** fra din **pligt til at udvise særlig forsigtighed, når du bakker.**

6 Teknisk beskrivelse

Farvekameraet med integreret mikrofon er placeret i et aluminiumskabinet og overfører billede og lyd til en monitor via et kabel. Det har et tele- og et nærbilledobjektiv. Med de infrarøde lysdioder forbedres natindstillingen.

Teleobjektivet viser området bagved køretøjet, som om det blev set gennem en bagrudd. Det kan tilkobles, når der ikke bakes.

Nærbilledobjektivet (bakkamera) er et vidvinkelobjektiv, som viser området lige bagved køretøjet. Det tilkobles, når der skiftes til bakgear.

I bakmodus skaber kameraet tre afstandsmærker, der vises som farvede linjer på en tilsluttet farvemonitor.

Kameraet CAM44 er udstyret med en motordrevet beskyttelsesklap mod tilsudsning.



BEMÆRK

Kameraerne er fra fabrikken udstyret med en spejlvendt visning. En tilsluttet monitor skal derfor arbejde med en normal billedfunktion.

Kameraet består af følgende elementer:

Nr. på fig. 9, side 5	Betegnelse
1	Tilslutningskabel med 6 ledere
2	Teleobjektiv
3	Infrarøde lysdioder
4	Nærbilledobjektiv (bakkamera)
5	Mikrofon

7 Henvisninger til den elektriske tilslutning

7.1 Trækning af kabler



VIGTIGT! Fare for beskadigelse!

- Hvis du borer huller, skal du forinden kontrollere, om der er tilstrækkeligt frirum, hvor boret kommer ud.
- Kabelføringer og kabelforbindelser, der ikke er korrekte, fører igen og igen til fejlfunktioner ved eller beskadigelser på komponenter. En korrekt kabelføring og kabelforbindelse er grundforudsætningen for, at de monterede komponenter fungerer konstant og fejlfrit.
- Kablerne må ikke komme i berøring med opløsningsmidler, som f.eks. benzin, i længere tid, da opløsningsmidler ville beskadige kablerne.

Overhold derfor følgende henvisninger:

- Anvend originale gennemføringer eller andre gennemføringsmuligheder, f.eks. beklædningskanter, ventilationsgitre eller blindstik, til gennemføringen af tilslutningskablerne. Hvis der ikke findes gennemføringer, skal du bore huller til de pågældende kabler. Kontrollér først, om der er tilstrækkeligt frirum, hvor boret kommer ud.
- Hvis det er muligt, skal kablerne altid trækkes inde i køretøjet. Der er de bedre beskyttet end uden på køretøjet. Hvis du alligevel trækker kablerne uden på køretøjet, skal de fastgøres sikkert (med ekstra kabelbindere, isoleringsbånd osv.).
- For at undgå, at kablet beskadiges, skal der altid være tilstrækkelig afstand til dele på køretøjet, der er varme eller bevæger sig (udstødningsrør, drivakslar, dynamo, ventilatorer, varmeapparater osv.). Anvend bølgerør eller lignende beskyttelsesmaterialer til mekanisk beskyttelse.
- Skru forbindelseskabernes stikforbindelser sammen for at beskytte dem mod, at der trænger vand ind (fig. **10**, side 5).
- Når kablerne trækkes, skal det sikres, at de
 - ikke knækkes eller snos kraftigt,
 - ikke skurer mod kanter,
 - ikke trækkes uden beskyttelse mod gennemføringer med skarpe kanter (fig. **3**, side 4).

- Fastgør kablerne sikkert inde i køretøjet for at undgå at hænge fast (fare for at falde). Dette kan foretages ved at anvende kabelbindere, isoleringsbånd eller ved fastklæbning med klæbemiddel.
- Beskyt hver gennemføring i karosseriets yderbeklædning mod indtrængende vand ved hjælp af egnede forholdsregler, f.eks. ved at isætte kablet med tætningsmasse og ved at sprøjte tætningsmasse på kablet og gennemføringsmuffen.

**BEMÆRK**

Begynd først at tætn gennemføringerne, når alle indstillingsarbejder på kameraet er afsluttet, og de nødvendige længder for tilslutningskablerne er bestemt.

7.2 Anvendelse af afgreningsstykker

For at undgå løse forbindelser ved afgreningsforbindelserne skal du kontrollere, at kabeltværsnittene passer til afgreningsstykkerne.

Gå frem på følgende måde for at anvende afgreningsstykkerne:

- ▶ Læg kablet, der skal tilsluttes, i afgreningsstykkets forreste rille (fig. **11** A, side 6).
- ▶ Læg enden på det nye kabel ca. 3/4 ind i den bageste rille (fig. **11** B, side 6).
- ▶ Luk forbindelsesstykket, og tryk metalstykket ind i forbindelsesstykket med en universaltang, så der etableres en elektrisk forbindelse (fig. **11** C, side 6).
- ▶ Tryk beskyttelseskappen ned, og lad den gå i indgreb på forbindelsesstykket.
- ▶ Kontrollér fastgørelsen af afgreningsstykket ved at trække i kablet (fig. **11** D, side 6).

7.3 Etablering af korrekte loddeforbindelser

Gå frem på følgende måde for at lodde et kabel på originale ledninger:

- ▶ Afisolér 10 mm af den originale ledning (fig. **12** A, side 6).
- ▶ Afisolér 15 mm af kablet, der skal tilsluttes (fig. **12** B, side 6).
- ▶ Kablet, der skal tilsluttes, skal vikles om den originale ledning og de to kabler loddessammen (fig. **12** C, side 6).
- ▶ Isolér kablerne med isoleringsbånd (fig. **12** D, side 6).

Gå frem på følgende måde for at forbinde to kabler med hinanden:

- ▶ Afisolér de to kabler (fig. **13** A, side 6).
- ▶ Træk et stykke krympeflex på ca. 20 mm på et kabel (fig. **13** B, side 6).
- ▶ Drej de to kabler sammen, og lod dem sammen (fig. **13** C, side 6).
- ▶ Skub krympeflex over loddestedet, og opvarm det lidt (fig. **13** D, side 6).

8 Montering af kameraet

8.1 Nødvendigt værktøj

Til **installation og montering** har du brug for følgende værktøj:

- Sæt bor (fig. **1** 1, side 3)
- Boremaskine (fig. **1** 2, side 3)
- Skruetrækker (fig. **1** 3, side 3)
- Sæt ring- eller gaffelnøgler (fig. **1** 4, side 3)
- Målestok (fig. **1** 5, side 3)
- Hammer (fig. **1** 6, side 3)
- Kørner (fig. **1** 7, side 3)

Til den **elektriske tilslutning** og kontrollen af den har du brug for følgende hjælpemidler:

- Diodeprøvelampe (fig. **1** 8, side 3) eller voltmeter (fig. **1** 9, side 3)
- Isoleringsbånd (fig. **1** 11, side 3)
- Evt. kabelgennemføringsmuffer

Til **fastgørelse af kablerne** har du evt. brug for yderligere kabelbindere.

8.2 Montering af kameraet



FORSIGTIG!

Vælg pladsen for kameraet, og fastgør det så sikkert, at personer, der står i nærheden, under ingen omstændigheder kan komme til skade, f.eks. på grund af grene, der fejer hen over køretøjets tag og river kameraet ned.



BEMÆRK

Hvis køretøjets højde eller længde, der er noteret i indregistreringspapirerne, ændres, når kameraet monteres, skal den ansvarlige myndighed (TÜV, DEKRA osv.) foretage en ny godkendelse. Lad den ansvarlige myndighed notere den nye godkendelse i indregistreringspapirerne.

Overhold følgende henvisninger ved monteringen:

- Placér af hensyn til en fornuftig synsvinkel kameraet i mindst to meters højde. Sørg for en tilstrækkeligt stabil arbejdsplads ved monteringen.
- Kontrollér, at monteringsstedet for kameraet er tilstrækkeligt stabilt (f.eks. kan grene, der fejer hen over køretøjets tag, blive fanget i kameraet).
- Montér kameraet vandret og i midten bag på køretøjet (fig. 14, side 7).
- Anvend ubetinget det vedlagte isoleringsunderlag (fig. 8, side 5). Herved forhindres fejlstrøm på grund af dårlig stelforbindelse i køretøjet. Følgerne af fejlstrøm rækker fra striber på billedet eller brummen i højtaleren til beskadigelser.
- Den sikreste fastgørelse er skruer, der går gennem karosseriet. Overhold i den forbindelse følgende henvisninger:
 - Bag den valgte monteringsposition skal der være tilstrækkeligt frirum til monteringen.
 - Hver gennemføring skal beskyttes mod indtrængende vand ved hjælp af egnede forholdsregler (f.eks. ved at isætte skruer med tætningsmasse og/eller ved at sprøjte tætningsmasse på de ydre fastgørelsesdele).
 - Karosseriet på fastgørelsesstedet skal være tilstrækkeligt stabilt, så kameraholderen kan spændes tilstrækkeligt fast.
- Kontrollér først, om der er tilstrækkeligt frirum der, hvor boret kommer ud (fig. 2, side 4).
- Hvis du er i tvivl om monteringsstedet, som du har valgt, skal du kontakte karosseriproducenten eller forhandleren.

**BEMÆRK**

Smør fedt på gevindene for at begrænse korrosion på skrueerne.

Gå frem på følgende måde ved monteringen:

- Hold kameraholderen på det valgte monteringssted, og markér mindst to forskellige borepunkter (fig. **15**, side 7).
- Sørg for at kørne de tegnede punkter først med hammer og kørner for at undgå, at boret løber skævt.

Hvis du vil skru kameraet fast med pladeskruer (fig. **16, side 7)****VIGTIGT!**

Fastgørelsen med pladeskruer må kun foretages i stålplader med en minimumtykkelse på 1,5 mm.

- Bor et hul på Ø 4 mm ved hver af de tegnede punkter.
- Fjern grater fra alle huller, og påfør rustbeskyttelse.
- Klæb isoleringsunderlaget, der klæber på begge sider (fig. **8** 5, side 5), på holderens monteringside. Isoleringspladen fungerer også som tætning og lakbeskyttelse.
- Skru kameraholderen fast med pladeskruerne 5 x 20 mm.

Hvis du vil fastgøre kameraet med gevindskruerne gennem karosseriet (fig. **17, side 7)****VIGTIGT!**

Sørg for, at møtrikkerne ikke kan trækkes gennem karosseriet, når de spændes.

Anvend evt. større spændeskiver eller plader.

- Bor et hul på Ø 5,5 mm ved hver af de tegnede punkter.
- Fjern grater fra alle huller, og påfør rustbeskyttelse.
- Klæb isoleringsunderlaget, der klæber på begge sider (fig. **8** 5, side 5), på holderens monteringside. Isoleringspladen fungerer også som tætning og lakbeskyttelse.
- Skru kameraholderen på med gevindskruerne M5 x 20 mm. Afhængigt af karosseriets tykkelse skal du evt. bruge længere gevindskruer.

Etablering af gennemføring til kameraets tilslutningskabel (fig. 18, side 8)



BEMÆRK

Anvend så vidt muligt eksisterende gennemføringsmuligheder, f.eks. ventilationsgitre, til gennemføring af tilslutningskablerne. Hvis der ikke er gennemføringer til rådighed, skal du bore et hul på Ø 16 mm.



VIGTIGT! Fare for beskadigelse!

Kontrollér først, om der er tilstrækkeligt frirum, hvor boret kommer ud.

- Bør et hul på Ø 16 mm i nærheden af kameraet.
- Fjern grater fra alle huller, der er boret i pladen, og påfør rustbeskyttelse.
- Sæt en gennemføringsmuffe i alle gennemføringer med skarpe kanter.

Fastgørelse af kameraet og kamerabeskyttelsen



VIGTIGT!

Montér aldrig kameraet uden den ekstra kamerabeskyttelse. Anvend kun de vedlagte skruer M3 x 6 mm til at montere kamerabeskyttelsen. Længere skruer beskadiger kameraet.

- Skub kamerabeskyttelsen (fig. 8 3, side 5) over kameraet,
 - så fastgørelseshullet på kamerabeskyttelsen (fig. 19, side 8) ligger over kameraets 3 mm-gevind.
 - så de to andre fastgørelseshuller (fig. 19, side 8) ligger over kameraets 3 mm-gevind.
- Fastgør kamerabeskyttelsen i fastgørelseshullet med de to skruer M3 x 6 mm (se fig. 19, side 8).
- Skub kameraet ind i kameraholderen (fig. 20, side 8).



VIGTIGT!

Anvend kun de vedlagte skruer til at montere kameraet i kameraholderen. Længere skruer beskadiger kameraet.

- Fastgør kameraet **løst** i de to andre fastgørelseshuller med de fire skruer M3 x 8 mm (fig. 20, side 8).
Nu er kameraet centreret.
- Indstil kameraet, så objektivet danner en vinkel på ca. 20° i forhold til køretøjets lodrette akse (fig. 21, side 8).

**BEMÆRK**

De fire skruer M3 x 8 mm spændes først fast, når du har indstillet kameraet (se kapitlet „Funktionskontrol og indstilling af kameraet“ på side 146).

Monter i givet fald først en monitor, og tilslut den elektrisk.

8.3 Tilslutning af kameraet

**BEMÆRK**

- Træk kamerakablet, så du nemt kan nå stikforbindelsen mellem kamera og forlængerkabel, hvis det evt. bliver nødvendigt at afmontere kameraet. Afmonteringen gøres derved betydeligt enklere.
- Smør lidt fedt, f.eks. polfedt, i et af stikkene for at begrænse korrosion i stikket.

- Træk kamerakablet inde i køretøjet.
- Sæt kamerakablets stik i forlængerkablets bøsning.
- Skru forbindelseskablernes stikforbindelser sammen for at beskytte dem mod, at der trænger vand ind (fig. **10**, side 5).

8.4 Tilslutning af kontrolboks 9102200078 (fig. **24**, side 9)

Kontrolboksen er forberedt, så den er klar til montering.

- Fastgør kontrolboksen på et egnet sted.
- Tilslut kontrolboksen elektrisk på følgende måde:
 - Tilslut monitoren kameraindgangs tilslutningerne „V1“ og „V2“.
 - Tilslut kameraets systemkabel til tilslutningen „TWIN“.

Kameraet tændes og slukkes med bakgearet eller kameravalgknappen på monitoren.

8.5 Tilslutning af kontrolboks AMP100 (fig. 25, side 10)



BEMÆRK

Hvis begge kameramoduler skal anvendes, når der køres fremad, skal den vedlagte vippeafbryder monteres (se monterings- og betjeningsvejledning til AMP100).

Kontrolboksen (ikke indeholdt i leveringsomfanget) er forberedt, så den er klar til montering.

- Monter kontrolboksen som beskrevet i den tilhørende monterings- og betjeningsvejledning.



BEMÆRK

Kontrolboksens udgang „2“ er en hjælpeudgang til f.eks. at tilslutte en fremmed monitor.

- Tilslut kontrolboksen elektrisk som beskrevet i den tilhørende monterings- og betjeningsvejledning.

8.6 Funktionskontrol og indstilling af kameraet



BEMÆRK

Afstandsmærkernes afstandsværdier (se kapitlet „Vurdering af afstandene“ på side 147) gælder kun, når kameraet blev monteret i en højde på ca. 230 – 250 cm.

Kontrollér efter monteringen af kameraet den faktiske monteringshøjde. Hvis monteringshøjden afviger fra disse værdier, skal du beregne de faktiske afstandsværdier for afstandsmærkerne.

- Kontrollér, at kameraet fungerer, når du har tilsluttet det til en monitor.
- Indstil i givet fald kameraet ved hjælp af monitorbilledet:
Monitorbilledet skal på billedets nederste kant vise bagenden eller kofangeren på køretøjet. Midten af kofangeren skal også være midt i monitorbilledet (fig. 23, side 9).
- Spænd kamerafastgørelsens fire fastgørelsesskruer fast.
- Sæt afskærmningerne i siden på, og sørg for at sikre dem med hver en fastgørelsesskrue (fig. 22, side 8).

Foretag indstillinger som kontrast og lysstyrke på monitoren.

9 Anvendelse af kameraet

9.1 Vurdering af afstandene

I bakmodus skaber kameraet tre afstandsmærker, der vises som farvede linjer på en tilsluttet farvemonitor (fig. 26, side 10).

Linjerne gør det nemmere at vurdere køretøjets afstand til en forhindring.

Når kameraet er monteret i en højde på ca. 230 – 250 cm, viser linjerne følgende afstande:

Farve	Afstand
Grøn (A)	ca. 3 m
Gul (B)	ca. 1 m
Rød (C)	ca. 0,3 m

10 Vedligeholdelse og rengøring af kameraet



VIGTIGT!

Anvend ikke skarpe eller hårde midler til rengøring, da det kan beskadige apparatet.

- Rengør af og til kameraet med en blød, fugtig klud.

11 Garanti

Den lovbestemte garantiperiode gælder. Hvis produktet er defekt, skal du kontakte producentens afdeling i dit land (adresser, se vejledningens bagside) eller din forhandler.

Ved reparation eller krav om garanti skal du indsende følgende:

- Defekte komponenter
- En kopi af regningen med købsdato
- En reklamationsgrund eller en fejlbeskrivelse

12 Bortskaffelse

- Bortskaf så vidt muligt emballagen sammen med det tilsvarende genbrugsaffald.



Hvis du tager produktet endegyldigt ud af drift, skal du kontakte det nærmeste recyclingcenter eller din faghandel for at få de pågældende forskrifter om bortskaffelse.

13 Tekniske data

	PerfectView CAM44
Art.nr.:	9600000043
Billedsensor:	Vid udsigt: 1/4" Color CMOS-sensor, ca. 290000 pixel, 648(H) x 488(V) Nærbillede: 1/3" CMOS, 762(H) x 504(V)
Tv-system:	PAL
Følsomhed:	< 1 lux eller 0,0 lux med infrarød lysdiode (nærbillede)
Synsvinkel:	Teleobjektiv: Ca. 50° Nærbilledobjektiv: Ca. 140° diagonal
Mikrofonfølsomhed:	Ca. 56 dB
Lagertemperatur:	-30 °C til +85 °C
Driftstemperatur:	-30 °C til +70 °C
Driftsspænding:	12 – 16 V _{DC}
Forbrug:	maks. 4 W
Mål B x H x D (med holder):	114 x 74 x 62 mm
Vægt:	Ca. 360 g
Godkendelser:	

Läs igenom anvisningarna noga innan produkten monteras och används. Spara monterings- och bruksanvisningen för senare bruk. Överlämna bruksanvisningen till den nya ägaren vid ev. vidareförsäljning.

Innehållsförteckning

1	Förklaring till symboler	150
2	Säkerhets- och installationsanvisningar	150
3	Leveransomfattning.	153
4	Tillbehör	153
5	Ändamålsenlig användning	153
6	Teknisk beskrivning.	154
7	Information om elektrisk anslutning	155
8	Montera kameran	157
9	Använd kameran	163
10	Skötsel och rengöring av kameran	163
11	Garanti	163
12	Avfallshantering	164
13	Tekniska data	164

1 Förklaring till symboler

**VARNING!**

Observera: Beaktas anvisningen ej kan det leda till dödsfara eller svåra skador.

**AKTA!**

Observera: Beaktas anvisningen ej kan det leda till kroppsskador.

**OBSERVERA!**

Om anvisningarna inte beaktas kan det leda till materialskador och produktens funktion kan påverkas negativt.

**ANVISNING**

Kompletterande information om användning av produkten.

2 Säkerhets- och installationsanvisningar

Beakta säkerhetsanvisningarna och riktlinjerna från fordonstillverkaren samt reglerna för bilmekaniska arbeten!

Tillverkaren övertar inget ansvar för skador i följande fall:

- monterings- eller anslutningsfel
- skador på produkten, orsakade av mekanisk påverkan eller överspänning
- ändringar som utförts utan uttryckligt medgivande från tillverkaren
- ej ändamålsenlig användning

Beakta därför följande anvisningar:

- Koppla alltid från minuspolen i fordonets elsystem innan några arbeten utförs – annars finns risk för kortslutning.
Om fordonet har ett extra batteri måste minuspolen kopplas bort även på detta.
- Ej korrekt utförda anslutningar kan leda till kortslutning, som
 - kan förorsaka kabelbrand,
 - kan utlösa krockkudden,
 - kan skada den elektroniska styrutrustningen,
 - kan leda till att elektriska komponenter inte fungerar (blinkers, bromsljus, signalhorn, tändning, lyse).

- Använd endast isolerade kabelskor, stickkontakter och flathylsor vid arbeten på nedanstående ledningar:
 - 30 (ingång från batteri plus direkt),
 - 15 (tändningsplus, efter batteriet),
 - 31 (ledning från batteriet, jord),
 - 58 (backljus).

Använd **inga** anslutningsplintar.

- Använd en crimptång (bild **1** 10, sida 3) för att förbinda kablarna.
- Vid anslutningar till ledning 31 (jord), skruva
 - fast kabeln på en jordskruv i fordonet med kabelsko och tandbricka eller
 - på karosseriplåten med kabelsko och plåtskruv.

Se till att jordledningen har god kontakt!

När batteriets minuspol kopplas bort försvinner all data ur komfortelektronikens flyktiga minnen.

- Beroende på fordonsutrustning måste följande data ställas in på nytt:
 - radiokod
 - klocka
 - timer
 - fordonsdator
 - sätesposition

Inställningarna beskrivs i respektive bruksanvisning.

Beakta följande anvisningar vid monteringen:

- Fäst de delar till kameran som monteras inne i fordonet så att de inte kan lossna (t.ex. vid kraftiga bromsningar, trafikolyckor) och **skada personerna i fordonet**.
- Fäst de delar av systemet som monteras under täckplattor el.dyl. på så sätt att de inte kan lossna, eller skada andra delar och ledningar resp. störa några fordonsfunktioner (styrning, pedaler osv.).
- Se till att det finns tillräckligt mycket plats för borrhålen så att inga delar skadas av misstag (bild **2**, sida 4).
- Slipa graderna i borrhålen och behandla hålen med rostskyddsmedel.
- Beakta alltid fordonstillverkarens säkerhetsanvisningar. Vissa arbeten (t.ex. på säkerhetsutrustning som AIRBAG osv.) får endast utföras av behörigt fackfolk.

Beakta följande anvisningar vid arbeten på elsystemet:

- Använd endast en diodtestlampa (se bild **1** 8, sida 3) eller en voltmeter (se bild **1** 9, sida 3) för att testa spänningen i elledningar. Testlampor (bild **1** 12, sida 3) med andra ljuskällor förbrukar för mycket ström och kan på så sätt skada fordons elektronik.
- Beakta, när elledningar dras, att
 - de inte böjs eller vrids,
 - de inte skaver mot kanter,
 - skydd används om de dras genom genomföringar med vassa kanter (bild **3**, sida 4).
- Isolera alla ledningar och anslutningar.
- Skydda kablarna mot mekanisk belastning genom kabelband eller isoleringsband, t.ex. på befintliga ledningar.

Kameran är vattentät. Kamerans tätningar tål dock inte en högtryckstvätt (bild **4**, sida 4). Beakta därför alltid nedanstående:

- Öppna inte kameran, det kan inverka negativt på kamerans täthet och funktion (bild **5**, sida 4).
- Dra inte i kablarna, det kan inverka negativt på kamerans täthet och funktion (bild **6**, sida 4).
- Kameran får inte användas under vatten (bild **7**, sida 4).

3 Leveransomfattning

Nr i bild 8 , sida 5	Mängd	Beteckning	Artikelnr.
1	1	Kamera med motordrivet skyddslock	
2	2	Kåpa	
3	1	Kameraskydd; skyddskåpa	
4	1	Kamerahållare	
5	1	Isoleringsplatta	
6	1	Adapterlåda CAM44	9102200078
7	1	Förlängningskabel	9102200030
-	1	Fastsättningsmaterial	

4 Tillbehör

Finns som tillbehör (medföljer inte leveransen):

Beteckning	Artikelnr.
Kopplingsbox AMP100	9600000210

5 Ändamålsenlig användning

Kameran CAM44 (art.nr. 9600000043) är framför allt avsedd för användning i fordon. De kan användas tillsammans med backvideosystem för övervakning av området direkt bakom fordonet, t.ex. vid parkering. Övervakningen sker direkt från förarstolen.



VARNING!

Backvideosystem är till för att underlätta backningen, d.v.s. föraren **måste** alltid **iakta största försiktighet under backningen.**

6 Teknisk beskrivning

Färgkameran med inbyggd mikrofon har ett aluminiumhölje och överför bild och ljud till en monitor via en kabel. Kameran har två objektiv, ett för större avstånd ("fjärran") och ett för små ("nära"). IR-lysdioderna gör det lättare att se i mörker.

Med "fjärrojektivet" ser man samma vy som när man tittar ut genom bakfönstret. Det kan användas när man inte backar.

"Närojektivet" (backvideokameran) är ett vidvinkelobjektiv som visar området direkt bakom fordonet. Det aktiveras när backen läggs i.

Vid backning alstrar kameran tre avståndsmarkörer som visas som tre färgade linjer på den anslutna färgmonitorn.

Kameran CAM44 är utrustad med ett motordrivet skyddslock som skyddar mot smuts.



ANVISNING

Kamerorna är utrustade med spegelvänd visning. Därför måste monitorn arbeta med normal funktion.

Kameran består av följande delar:

Nr på bild 9 , sida 5	beteckning
1	6-polig anslutningskabel
2	Fjärrojektiv
3	IR-lysdioder
4	Vidvinkelobjektiv ("närojektiv") (backvideokamera)
5	Mikrofon

7 Information om elektrisk anslutning

7.1 Kabeldragning



OBSERVERA! Risk för skador!

- När du borrar hål, kontrollera först att det finns tillräckligt mycket plats för borrarpeten.
- Ej fackmässig kabeldragning och kabelanslutning leder ofta till felaktiga funktioner eller skador på komponenterna. Korrekt kabeldragning och anslutning är en nödvändig förutsättning för att komponenterna ska fungera felfritt och länge.
- Kablarna får inte komma i kontakt med lösningsmedel, t.ex. bensin under längre tid; lösningsmedel kan skada kablarna.

Beakta därför följande anvisningar:

- Använd om möjligt originalgenomföringar eller andra genomföringar som t.ex. fogar, ventilationsgaller eller oanvända anslutningar för anslutningskablarna. Om det inte finns lämpliga genomföringar måste man borra hål för kablarna. Kontrollera först att det finns tillräckligt mycket plats för borrarpeten.
- Drag om möjligt alltid kablarna inne i fordonet, där de är bättre skyddade än på utsidan.
Om kablarna dras på utsidan: se till att de sätts fast ordentligt (med extra kabelband, isoleringsband osv.).
- Drag inte kablarna tätt intill heta och/eller rörliga delar (avgasrör, drivaxlar, generator, fläkt, värmeaggregat osv.); kablarna kan skadas. Använd korrugerade rör eller liknande skyddsmaterial som mekaniskt skydd.
- Skruva fast anslutningskabelns kontakt för att skydda mot inträngande vatten (bild **10**, sida 5).
- Beakta, när kablarna dras, att
 - de inte böjs eller vrids för mycket,
 - de inte skaver mot kanter,
 - skydd används om de dras genom genomföringar med vassa kanter (bild **3**, sida 4).
- Fäst kabeln säkert i fordonet så att man inte kan fastna i den. Använd t.ex. kabelband, isoleringsband eller lim.
- Skydda borrhål i karosseriet så att det inte kan komma in vatten, t.ex. genom att sätta in kabeln med tätningsmassa och spruta tätningsmassa på kabeln och genomföringen.

**ANVISNING**

Täta genomföringarna först när kameran har riktats och ställts in och kablarnas längd har bestämts.

7.2 Använda förgreningsklämma

För att förhindra glappkontakter i förgreningarna måste kablarnas diameter passa till förgreningarna.

Tillvägagångssätt för att använda förgreningsklämmor:

- Lägg den inkommande kabeln i förgreningens främre skåra (bild **11** A, sida 6).
- Lägg den nya kabeländan till ca 3/4 i den bakre skåran (bild **11** B, sida 6).
- Stäng förgreningen (klämman) och tryck ned metallplattan i klämman med en kombitång så att strömförbindelsen upprättas (bild **11** C, sida 6).
- Tryck ned skyddskåpan och haka fast den på klämman.
- Kontrollera förgreningen genom att dra i kabeln (bild **11** D, sida 6).

7.3 Korrekt lödning

Löda ihop en kabel med originalkablarna:

- Avisolera 10 mm på originalkabeln (bild **12** A, sida 6).
- Avisolera 15 mm på den andra kabeln (bild **12** B, sida 6).
- Linda kabeln som ska anslutas runt originalledningen och löd ihop kablarna (bild **12** C, sida 6).
- Isolera kablarna med isoleringsband (bild **12** D, sida 6).

Löda ihop två kablar:

- Avisolera båda kablarna (bild **13** A, sida 6).
- Trä en ca 20 mm lång krympslang över en av kablarna (bild **13** B, sida 6).
- Tvinna ihop kablarna och löd ihop dem (bild **13** C, sida 6).
- Drag krympslangen över lödstället och värm upp den något (bild **13** D, sida 6).

8 Montera kameran

8.1 Verktyg

För **monteringen** krävs följande verktyg:

- Borrats (bild **1** 1, sida 3)
- Borrmaskin (bild **1** 2, sida 3)
- Skruvmejsel (bild **1** 3, sida 3)
- En sats ringnycklar eller U-nycklar (bild **1** 4, sida 3)
- Måttsticka (bild **1** 5, sida 3)
- Hammare (bild **1** 6, sida 3)
- Körnare (bild **1** 7, sida 3)

För **elanslutningen** och kontrollen krävs följande hjälpmedel:

- Diod-testlampa (bild **1** 8, sida 3) eller voltmeter (bild **1** 9, sida 3)
- Isoleringsband (bild **1** 11, sida 3)
- Ev. kabelgenomföringshylsor

För **fastsättning av kablarna** krävs ev. ytterligare kabelband.

8.2 Montera kameran



AKTA!

Montera kameran på ett ställe där den inte kan utgöra någon fara för personer som upphåller sig i närheten av fordonet, t.ex. om trädgrenar skulle vidröra biltaket och slita loss kameran.



ANVISNING

Om fordonets höjd eller längd inte längre stämmer överens med uppgifterna i fordonshandlingarna när kameran har monterats, måste en ny besiktning göras (kontakta Svensk Bilprovning).
Låt ansvarigt ställe skriva in de nya uppgifterna i fordonshandlingarna.

Beakta följande anvisningar vid monteringen:

- För att få en tillräckligt god kameravinkel bör den utvändiga kameran monteras på minst 2 meters höjd.
Se till att arbetsplatsen är stabil och säker.

- Se till att kameran monteras stabilt (trädgrenar kan t.ex. fastna i kameran).
- Montera kameran vångrätt och på mitten baktill på fordonet (bild **14**, sida 7).
- Använd alltid den medföljande isoleringsplattan (bild **8** 5, sida 5). Därigenom förhindras felström p.g.a. dålig jordkontakt i fordonet. Felström leder till bildstörningar (ränder på bilden), brummande ljud i högtalaren och kan även skada apparaterna.
- Det är säkrast att fästa kameran med skruvar som förs genom påbyggnaden. Beakta följande anvisningar:
 - Kontrollera först att det finns tillräckligt mycket plats för monteringen bakom/under monteringsplatsen.
 - Tänk på att borrhålen/öppningarna ska skyddas mot vatten (t. ex. genom att sätta in skruvarna med tätningssmassa och/eller spruta tätningssmassa på de utvändiga monteringspunkterna).
 - Se till att monteringsstället är stabilt så att kamerafästet kan fästas ordentligt.
- Kontrollera att det finns tillräckligt mycket plats för borrspetsen (bild **2**, sida 4).
- Fråga tillverkaren av vagnen (eller auktoriserad återförsäljare) i tveksamma fall.

**ANVISNING**

Smörj in gängorna med fett för att minimera rostrisken på skruvarna.

Montering, tillvägagångssätt:

- Håll kamerafästet på valt ställe och markera sedan minst två olika borrhål (bild **15**, sida 7).
- Slå först ett hål i metallen med hammare och körnare, så att borsten inte slinter.

Om kameran ska skruvas fast med plåtskruvar (bild **16, sida 7)****OBSERVERA!**

Plåtskruvarna får endast användas för stålplåt med en tjocklek på minst 1,5 mm.

- Borra $\varnothing 4$ mm- hål på de markerade punkterna.
- Slipa graderna i borrhålen och behandla hålen med rostskyddsmedel.
- Klistra den dubbelsidigt självhäftande isoleringsplattan (bild **8** 5, sida 5) på hållarens monteringsyta. Isoleringsplattan fungerar även som tätning och lackskydd.
- Skruva fast monitorfästet med plåtskruvarna 5 x 20 mm.

Om kameran ska skruvas fast med gängskruvar i påbyggnaden (bild 17, sida 7)



OBSERVERA!

Se till att muttrarna inte kan dras igenom påbyggnaden.
Använd vid behov större underläggsbrickor eller plåtplattor.

- ▶ Borra \varnothing 5,5 mm- hål på de markerade punkterna.
- ▶ Slipa graderna i borrhålen och behandla hålen med rostskyddsmedel.
- ▶ Klistra den dubbelsidigt självhäftande isoleringsplattan (bild 8 5, sida 5) på hållarens monteringsyta.
Isoleringsplattan fungerar även som tätning och lackskydd.
- ▶ Skruva fast kamerafästet med gängskruvarna M5 x 20 mm.
Beroende på plåtens tjocklek kan det behövas längre gängskruvar.

Öppning för kamerans anslutningskabel (bild 18, sida 8)



ANVISNING

Använd om möjligt genomföringar som redan finns på plåten, som t.ex. ventilationsgaller. Om det inte finns lämpliga genomföringar: borra ett \varnothing 16 mm- hål.



OBSERVERA! Risk för skador!

Kontrollera först att det finns tillräckligt mycket plats för borrarpeten.

- ▶ Borra ett \varnothing 16 mm- hål i närheten av kameran.
- ▶ Slipa graderna i borrhålen som har borrats i plåten och behandla hålen med rostskyddsmedel.
- ▶ Använd genomföringshylsa för öppningar med vassa kanter.

Fäst kameran och kameraskyddet



OBSERVERA!

Montera aldrig kameran utan kameraskyddet. Använd endast de medföljande skruvarna M3 x 6 mm för montering av kameraskyddet. Längre skruvar skadar kameran.

- ▶ Skjut kameraskyddet (bild **8** 3, sida 5) över kameran
 - så att kameraskyddets fästhål (bild **19**, sida 8) sitter över kamerans 3-mm-gänga.
 - så att de två andra fästhålen (bild **19**, sida 8) sitter över kamerans 3-mm-gängor.
- ▶ Sätt fast kameraskyddet i fästhålet med de två skruvarna M3 x 6 mm (bild **19**, sida 8).
- ▶ Skjut in kameran i kamerafästet (bild **20**, sida 8).



OBSERVERA!

Använd endast de medföljande skruvarna för montering av kameran i kamerafästet. Längre skruvar skadar kameran.

- ▶ Fäst kameran **löst** i de två andra fästhålen med de fyra skruvarna M3 x 8 mm (bild **20**, sida 8).
Kameran är nu centrerad.
- ▶ Rikta kameran så att objektivet sitter i ung. 20° vinkel mot fordonets lodrätta axel (bild **21**, sida 8).



ANVISNING

Dra fast de fyra skruvarna (M3 x 8 mm) när du har riktat kameran (se kapitel "Funktionskontroll och inställning av kameran" på sidan 162). Först måste ev. monitorn monteras och anslutas.

8.3 Anslutning



ANVISNING

- Dra kamerakabeln så att det blir lätt att komma åt kontakten kamera/förlängningskabel vid ev. demontering av kameran. Detta underlättar demonteringen.
- Som rostskydd för kontakterna rekommenderar vi att lite fett, t.ex. polfett, används i en av stickkontakterna.

- Dra in kamerakabeln i fordonet.
- Anslut kamerakabelns stickkontakt till kontakten på förlängningskabeln.
- Skruva fast anslutningskabelns kontakt för att skydda mot inträngande vatten (bild **10**, sida 5).

8.4 Anslut kopplingsbox 9102200078 (bild **24**, sida 9)

Kopplingsboxen är klar för montering.

- Fäst kopplingsboxen på ett lämpligt ställe.
- Tillvägagångssätt för att ansluta kopplingsboxen:
 - Anslut monitorns kameraingångar till anslutningarna "V1" och "V2".
 - Anslut kamerans systemkabel till anslutningen "TWIN".

Kameran slås på resp. av med kameraknappen på monitorn eller med backväxeln.

8.5 Anslut kopplingsbox AMP100 (bild 25, sida 10)



ANVISNING

Om du vill använda bägge kameramodulerna vid körning framåt, måste du montera in den levererade vippströmbrytaren (se monterings- och bruksanvisning för AMP100).

Kopplingsboxen (medföljer ej) är klar för montering.

- Montera in kopplingsboxen enligt beskrivningarna i tillhörande monterings- och bruksanvisning.



ANVISNING

Utgång "2" i kopplingsboxen är en hjälputgång, för att t.ex. ansluta en annan monitor.

- Anslut kopplingsboxen elektriskt enligt beskrivningarna i tillhörande monterings- och bruksanvisning.

8.6 Funktionskontroll och inställning av kameran



ANVISNING

Avståndsmarkörernas avståndsvärden (se kapitel "Uppskatta avstånd" på sidan 163) fungerar bara när kameran monteras på en höjd av ca 230–250 cm.

Kontrollera faktisk monteringshöjd efter att kameran har monterats. Om monteringshöjden avviker från dessa värden, fastställ faktiska avståndsvärden för avståndsmarkeringarna.

- Kontrollera kamerans funktion när den har anslutits till en monitor.
- Rikta vid behov kameran med hjälp av monitorbilden.
Ned till på monitorbilden bör nu fordonets bakdel resp. stötfångaren synas. Stötfångarens mitt ska också vara på bildens mitt (bild 23, sida 9).
- Dra åt de fyra fästskruvarna till kameran.
- Montera sidokåporna och fäst dessa med en fästskruv på vardera kåpa (bild 22, sida 8).

Kontrast och ljusstyrka ställs in på monitorn.

9 Använd kameran

9.1 Uppskatta avstånd

Vid backning alstrar kameran tre avståndsmarkörer som visas som tre färgade linjer på den anslutna färgmonitorn (bild **26**, sida 10).

Linjerna gör det lättare att uppskatta avståndet mellan fordonet och eventuella hinder.

När kameran har monterats på en höjd på ca 230 – 250 cm motsvarar linjerna följande avstånd:

Färg	Avstånd
grön (A)	ca 3 m
gul (B)	ca 1 m
röd (C)	ca 0,3 m

10 Skötsel och rengöring av kameran



OBSERVERA!

Använd inga vassa eller hårda föremål för att rengöra apparaten, den kan skadas.

- Rengör kameran då och då med en mjuk, fuktig trasa.

11 Garanti

Den lagstadgade garantitiden gäller. Om produkten är defekt: kontakta tillverkarens kontor i ditt land (adresser, se bruksanvisningens baksida) eller återförsäljaren.

Vid reparations- resp. garantiärenden ska följande skickas med:

- defekta komponenter,
- en kopia på fakturan med inköpsdatum,
- en reklambeskrivning/felbeskrivning.

12 Avfallshantering

- Lämna om möjligt förpackningsmaterialet till återvinning.



När produkten slutgiltigt tas ur bruk: informera dig om gällande bestämmelser hos närmaste återvinningscentral eller hos återförsäljaren.

13 Tekniska data

	PerfectView CAM44
Artikel-nr:	9600000043
Bildsensor:	Fjärrsikt: 1/4" Färg-CMOS-givare, ca 290000 pixlar, 648(H) x 488(V) Närbild: 1/3" CMOS, 762(H) x 504(V)
TV-system:	PAL
Känslighet:	< 1 Lux eller 0,0 Lux med infraröd LED (närbild)
Synvinkel:	Fjärrobjektiv: ca 50° Vidvinkelobjektiv: ca 140° diagonalt
Mikrofonkänslighet:	ca 56 dB
Lagertemperatur:	-30 °C till +85 °C
Drifttemperatur:	-30 °C till +70 °C
Driftspänning:	12 – 16 V $\overline{=}$
Förbrukning:	max. 4 W
Mått B x H x D (med fäste):	114 x 74 x 62 mm
Vikt:	ca 360 g
Godkännanden:	

Les bruksanvisningen nøye før du monterer og tar apparatet i bruk, og ta vare på den. Hvis produktet selges videre, må du sørge for å gi bruksanvisningen videre også.

Innholdsfortegnelse

1	Symbolforklaringer	166
2	Råd om sikkerhet og montering	166
3	Leveringsomfang	169
4	Tilbehør	169
5	Tiltenkt bruk	169
6	Teknisk beskrivelse	170
7	Råd om elektrisk tilkobling	171
8	Montere kameraet	173
9	Bruke kameraet	179
10	Stell og rengjøring av kameraet	179
11	Garanti	179
12	Deponering	180
13	Tekniske data	180

1 Symbolforklaringer

**ADVARSEL!**

Sikkerhetsregel: Hvis man ikke overholder denne regelen, kan det føre til død eller alvorlig skade.

**FORSIKTIG!**

Sikkerhetsregel: Hvis man ikke overholder denne regelen, kan det føre til personskader.

**PASS PÅ!**

Hvis man ikke overholder denne regelen, kan det føre til materielle skader og skade funksjonen til produktet.

**MERK**

Utfyllende informasjon om bruk av produktet.

2 Råd om sikkerhet og montering

Følg rådene og betingelsene som kjøretøyprodusenten og motorvognprodusenten har bestemt!

Produsenten tar i følgende tilfeller intet ansvar for skader:

- Montasje- eller tilkoblingsfeil
- Skader på produktet på grunn av mekanisk påvirkning og overspenninger
- Endringer på produktet uten at det er gitt uttrykkelig godkjenning av produsenten
- Bruk til andre formål enn det som er beskrevet i veiledningen

Følg derfor disse rådene:

- På grunn av kortslutningsfaren må man alltid koble fra minuspolen før man utfører arbeid på kjøretøyets elektronikk.
På kjøretøy med hjelpebatteri må man også koble fra minuspolen på dette.
- Feil på ledningsforbindelser kan føre til at det på grunn av kortslutning oppstår
 - kabelbrann,
 - at kollisjonsputen utløses,
 - at de elektroniske styreanordningene blir skadet,
 - at elektriske funksjoner faller ut (blinklys, bremselys, horn, tenning, lys).

- Bruk ved arbeid på følgende ledninger kun isolerte kabelsko, støpsler og kabelklemmer
 - 30 (inngang fra batteriets pluss direkte),
 - 15 (koblet pluss, bak batteri),
 - 31 (tilbakeleder fra batteri, jord),
 - 58 (ryggelys).

Bruk **ikke** kabelklemmer.

- Bruk en krympetang (fig. **1** 10, side 3) til å koble til kabelen.
- Skru fast kabelen ved tilkobling til ledning 31 (jord)
 - med kabelsko og låseskive til kjøretøyets jordkobling eller
 - med kabelsko og plateskrue til karosseriet.

Pass på at du har god jordforbindelse!

Ved frakobling av minuspolen til batteriene mister alle flyktige minner i komfortelektronikken de lagrede dataene.

- Følgende data må stilles inn på nytt, avhengig av kjøretøyets utrustning:
 - radiokode
 - kjøretøyur
 - tidskoblingsur
 - kjørecomputer
 - sitteposisjon

Råd vedrørende innstilling finner du i relevant bruksanvisning.

Vær oppmerksom på følgende ved montering:

- Fest delene til kameraet som er montert i kjøretøyet slik at de ikke under noen omstendighet (bråbremsing, trafikkuhell) løsner og **skader passasjerene**.
- Fest tilhørende deler skjult under paneler, slik at de ikke kan løsne eller skade andre deler og ledninger, og slik at de ikke påvirker kjøretøyets funksjon (styring, pedaler osv.).
- Ved boring må man for å unngå skader passe på at det er tilstrekkelig plass der boret går ut på den andre siden (fig. **2**, side 4).
- Fjern gradene på alle hull som bores og behandle disse med rustbeskyttelsesmiddel.
- Følg alltid sikkerhetsreglene til kjøretøyprodusenten. Enkelte typer arbeid (f. eks. på kollisjonsputesystem osv.) må kun utføres av fagfolk.

Vær oppmerksom på følgende ved arbeid på elektriske deler:

- For å teste spenningen i elektriske ledninger, må man kun bruke en diodetest-lampe (fig. **1** 8, side 3) eller et voltmeter (fig. **1** 9, side 3). Testlamper med lyslegeme (fig. **1** 12, side 3) bruker for mye strøm, slik at kjøretøyelektronikken kan bli skadet.
- Ved forlegging av de elektriske tilkoblingene, må du passe på at disse
 - ikke blir knekt eller deformert,
 - ikke gnir på kanter,
 - ikke legges uten beskyttelse gjennom gjennomføringer som har skarpe kanter (fig. **3**, side 4).
- Isoler alle forbindelser og tilkoblinger.
- Sikre kablen mot mekanisk belastning med kabelinnføringer eller isolasjonsbånd, f. eks. på eksisterende ledninger.

Kameraet er vanntett. Kameraets tettinger tåler imidlertid ikke høytrykksspyling (fig. **4**, side 4). Vær derfor oppmerksom på følgende ved håndtering av kameraet:

- Ikke åpne kameraet, da dette har negativ virkning på tettheten og funksjonsevnen til kameraet (fig. **5**, side 4).
- Ikke dra i kablene, da dette har negativ virkning på tettheten og funksjonsevnen til kameraet (fig. **6**, side 4).
- Kameraet er ikke egnet for bruk under vann (fig. **7**, side 4).

3 Leveringsomfang

Nr. i fig. 8, side 5	Antall	Betegnelse	Artikkelnr.
1	1	Kamera med motordrevet beskyttelsesdeksel	
2	2	Avdekking	
3	1	Kamerabeskyttelse	
4	1	Kameraholder	
5	1	Isolerende underlag	
6	1	Adapterboks CAM44	9102200078
7	1	Forlengelseskabel	9102200030
–	1	Festemateriell	

4 Tilbehør

Fås som tilbehør (ikke inkludert i leveransen):

Betegnelse	Artikkelnr.
Koblingsboks AMP100	9600000210

5 Tiltentkt bruk

Kameraet CAM44 (art.nr. 9600000043) er først og fremst beregnet for bruk i kjøretøy. De kan brukes i ryggevideosystemer, som brukes til å observere området rett bak kjøretøyet fra førersetet, f. eks. ved krypkjøring eller parkering.



ADVARSEL!

Ryggevideosystemer er en støtte ved rygging, den fritar deg imidlertid **ikke** for **ansvaret som er forbundet med rygging**.

6 Teknisk beskrivelse

Fargekameraet med integrert mikrofon er plassert i en aluminiumskapsling og overfører bilde og lyd til en skjerm via en kabel. Det er utstyrt med et fjernobjektiv og et nærobjektiv. De infrarøde lysdiodene forbedrer nattsikten.

Fjernobjektivet viser plassen bak kjøretøyet, som om du ser ut av et bakvindu. Du kan slå det på når du ikke kjører i revers.

Nærobjektivet (ryggekamera) er et vidvinkelobjektiv som viser plassen rett bak kjøretøyet. Det kobles inn når revers legges inn.

I ryggemodus lager kameraet tre avstandsmerker som vises som fargede streker på en tilkoblet skjerm.

Kameraet CAM44 er utstyrt med et motordrevet beskyttelsesdeksel mot tilsmussing.



MERK

Kameraene er utstyrt med en speilbildevisning fra fabrikkens. En tilkoblet skjerm med normalbildefunksjon må derfor benyttes.

Kameraet består av følgende elementer:

Nr. i fig. 9, side 5	Betegnelse
1	6-polet tilkoblingskabel
2	Fjernobjektiv
3	Infrarøde lysdioder
4	Nærobjektiv (ryggekamera)
5	Mikrofon

7 Råd om elektrisk tilkobling

7.1 Legging av kabel



PASS PÅ! Fare for skade!

- Når du borer hull, må du på forhånd kontrollere om det er nok ledig plass til at boret kan komme ut.
- Kabellegging og kabelforbindelser som ikke er utført fagmessig fører ofte til feilfunksjoner eller skader på komponenter. Korrekt kabellegging hhv. kabelforbindelse er den viktigste forutsetningen for varig og feilfri funksjon til ettermonterte komponenter.
- Kabelen må ikke komme i kontakt med løsemidler, som f. eks. bensin over lengre tid, da løsemidlet kan skade kablene.

Følg derfor disse rådene:

- For å føre gjennom tilkoblingskabelen bruker du originalgjennomføringer eller andre gjennomføringsmuligheter, som f. eks. panelkanter, luftegitter eller blindbryter. Hvis det ikke finnes noen gjennomføringer tilgjengelig, må du bore hull for de aktuelle kablene. Se etter på forhånd om det er nok plass til at boret kan komme ut.
- Hvis det er mulig, bør du alltid legge kablene inni kjøretøyet, der er de bedre beskyttet enn utenpå kjøretøyet. Hvis du likevel legger kablene utenpå kjøretøyet, må du sørge for at de festes sikkert (med ekstra kabelskjøtestykker, isolasjonsbånd osv.).
- Ved legging av kabel må du alltid holde tilstrekkelig avstand til varme og bevegelige deler på kjøretøyet (eksosrør, drivakslinger, dynamoer, vifter, oppvarming osv.) for å unngå skader på kabelen. Til mekanisk beskyttelse brukes bølgerør eller lignende beskyttelsesmaterialer.
- Skru pluggforbindelsene til forbindelseskabelen for å beskytte mot inntrenging av vann (fig. **10**, side 5).
- Ved legging av kablene må du passe på at disse
 - ikke blir knekt eller deformert,
 - ikke gnir på kanter,
 - ikke legges uten beskyttelse gjennom gjennomføringer som har skarpe kanter (fig. **3**, side 4).
- Fest kabelen skikkelig i kjøretøyet for å unngå at noe hektes fast i den (fare for fall). Dette gjøres ved bruk av kabelbånd, isolasjonsbånd eller ved påliming.
- Beskytt alle gjennomføringer i det ytre karosseriet mot inntrenging av vann, f. eks. ved å sprøyte kabelen og gjennomføringsnippelen med tetningsmasse.

**MERK**

Begynn å tette igjen gjennomføringene først når alt innstillingsarbeid på kameraet er avsluttet og når de nødvendige lengdene til tilkoblingskablene foreligger.

7.2 Bruk av skjøtekontakt

For å unngå vakkellkontakter, er det viktig at kabelvernsnittene passer til skjøtekontaktene.

Gå fram på følgende måte for å bruke skjøtekontaktene:

- ▶ Legg kablen som det skal tas hull på, inn i den fremre rillen til skjøtekontakten (fig. **11** A, side 6).
- ▶ Legg den nye kablen med enden ca. 3/4 inn i den bakre rillen (fig. **11** B, side 6).
- ▶ Lukk koblingen og trykk metallhylsen inn i koblingen med en kombitang, slik at det opprettes en strømforbindelse (fig. **11** C, side 6).
- ▶ Trykk beskyttelseskappen nedover og la den gå i lås på skjøtekontakten.
- ▶ Kontroller festet til skjøtekontakten ved å trekke i kablen (fig. **11** D, side 6).

7.3 Lage riktige loddeforbindelser

Gå fram på følgende måte for å lodde en kabel til originalledninger:

- ▶ Avisoler 10 mm av originalledningen (fig. **12** A, side 6).
- ▶ Avisoler 15 mm av kablen som skal kobles til (fig. **12** B, side 6).
- ▶ Vikle kablen som skal kobles til rundt originalledningen og lodd sammen kablene (fig. **12** C, side 6).
- ▶ Isoler kablen med isolasjonsbånd (fig. **12** D, side 6).

Gå fram på følgende måte for å koble to kabler til hverandre:

- Avisoler begge kablene (fig. **13** A, side 6).
- Trekk en krympeslange på ca. 20 mm over en kabel (fig. **13** B, side 6).
- Vri begge kablene rundt hverandre og lodd (fig. **13** C, side 6).
- Skyv krympeslangen over loddstedet og varm den litt opp (fig. **13** D, side 6).

8 Montere kameraet

8.1 Nødvendig verktøy

Til **montering** trenger du følgende verktøy:

- Borsett (fig. **1** 1, side 3)
- Bormaskin (fig. **1** 2, side 3)
- Skrutrekker (fig. **1** 3, side 3)
- Nøkkelsett (fig. **1** 4, side 3)
- Målestav (fig. **1** 5, side 3)
- Hammer (fig. **1** 6, side 3)
- Kjørner (fig. **1** 7, side 3)

Til **elektrisk tilkobling** og kontroll av denne trenger du følgende hjelpemidler:

- Diodetestlampe (fig. **1** 8, side 3) eller voltmeter (fig. **1** 9, side 3)
- Isolasjonsbånd (fig. **1** 11, side 3)
- Evt. kabelgjennomføringsnipler

Til **å feste kablen** trenger du evt. flere kabelskjøtestykker.

8.2 Montere kameraet



FORSIKTIG!

Velg plassering av kameraet og fest dette slik at ingen som står i nærheten under ingen omstendighet kan bli skadet, f. eks. av greiner som streifer over taket på bilen og river av kameraet.



MERK

Hvis man ved montering av kameraet endrer kjøretøyhøyden eller kjøretøylengden som står i vognkortet, trenger man ny godkjenning fra relevante godkjenningsinstanser (TÜV, DEKRA osv.).

Sørg for at den nye godkjenningen føres inn i vognkortet av vedkommende veimyndighet.

Vær oppmerksom på følgende ved montering:

- Kameraet skal plasseres i en høyde på minst to meter for å oppnå en hensiktsmessig synsvinkel.
Ved monteringen må du påse at du har en tilstrekkelig stødig arbeidsplass.
- Pass på at montasjestedet til kameraet er tilstrekkelig stabilt (f. eks. kan greiner som streifer over biltaket sette seg fast i kameraet).
- Monter kameraet vannrett og midt på kjøretøyet bak (fig. 14, side 7).
- Bruk det isolerende underlaget som følger med (fig. 8 5, side 5). På denne måten unngår man feilstrømmer på grunn av dårlig jordforbindelse i kjøretøyet. Feilstrømmer kan føre til striper i bildet eller brumming i høyttaleren slik at den skades.
- Den sikreste måten å feste på er med gjennomgående skruer. Følg disse rådene:
 - Bak det valgte montasjestedet må det være nok plass for montasjen.
 - Alle gjennomføringer må beskyttes mot inntrenging av vann (sett f. eks. inn skruene med tetningsmasse og/eller påfør tetningsmasse på de ytre festedelene).
 - Monteringen på festestedet må være tilstrekkelig fast, slik at kameraholderen kan trekkes til fast nok.
- Kontroller på forhånd om det er nok plass til at boret kan komme ut (fig. 2, side 4).
- Hvis du er usikker på montasjestedet du har valgt, må du forhøre deg hos produsenten eller dennes representant.



MERK

For å redusere korrosjonen av skruene til et minimum, anbefaler vi å sette inn gjengene med fett.

Ved montering går du fram på følgende måte:

- Hold kameraholderen på det valgte montasjestedet og merk minst 2 forskjellige borepunkter (fig. **15**, side 7).
- Kjørn med hammer og kjørner på punktene som er merket på forhånd, for å hindre at boret løper løpsk.

Når du ønsker å skru på kameraet med plateskruer (fig. **16**, side 7)



PASS PÅ!

Feste med plateskruer må kun gjøres i stålplater med en minimum tykkelse på 1,5 mm.

- Bor et hull på Ø 4 mm i punktene som er merket på forhånd.
- Fjern gradene på alle borehull og behandle disse med rustbeskyttelse.
- Lim det dobbeltsidig klebende isolasjonsunderlaget (fig. **8** 5, side 5) på montasjesiden til holderen.
Isolasjonsplaten fungerer også som tetting og lakkbeskyttelse.
- Skru på kameraholderen med plateskruene 5 x 20 mm.

Når du ønsker å feste kameraet med plateskruer gjennom montasjen (fig. **17**, side 7)



PASS PÅ!

Når man trekker til mutrene, må man passe på at de ikke kan trekkes gjennom montasjen.
Bruk evt. større underlagsskiver eller stålplater.

- Bor et hull på Ø 5,5 mm i punktene som er merket på forhånd.
- Fjern gradene på alle borehull og behandle disse med rustbeskyttelse.
- Lim det dobbeltsidig klebende isolasjonsunderlaget (fig. **8** 5, side 5) på montasjesiden til holderen.
Isolasjonsplaten fungerer også som tetting og lakkbeskyttelse.
- Skru på kameraholderen med gjengeskruene M5 x 20 mm.
Det kan hende at du trenger lengre gjengeskruer. Dette er avhengig av styrken til montasjen.

Lage gjennomføring for tilkoblingskabelen til kameraet (fig. 18, side 8)**MERK**

Ved gjennomføring av tilkoblingskabelen bruker du, hvis det er mulig, eksisterende gjennomføringsmuligheter, f. eks. luftegitter. Hvis det ikke er noen gjennomføringer tilgjengelig, må du bore et hull på Ø 16 mm.

**PASS PÅ! Fare for skade!**

Kontroller på forhånd om det er nok plass til at boret kan komme ut.

- Bor et hull på Ø 16 mm i nærheten av kameraet.
- Fjern gradene på alle borehull som er laget i platen og behandle disse med rustbeskyttelse.
- Utstyr alle gjennomføringer som har skarpe kanter med en gjennomføringsnippel.

Feste kameraet og kamerabeskyttelse**PASS PÅ!**

Monter aldri kameraet uten den ekstra kamerabeskyttelsen. Til å montere kamerabeskyttelsen brukes kun M3 x 6 mm skruene. Lengre skruer skader kameraet.

- Skyv kamerabeskyttelsen (fig. 8 3, side 5) over kameraet
 - slik at festehullet til kamerabeskyttelsen (fig. 19, side 8) ligger over 3-mm-gjengen til kameraet
 - slik at begge de andre festehullene (fig. 19, side 8) ligger over 3-mm-gjengene til kameraet.
- Fest kamerabeskyttelsen med de to skruene M3 x 6 mm i festehullet (fig. 19, side 8).
- Skyv kameraet inn i kameraholderen (fig. 20, side 8).

**PASS PÅ!**

For å montere kameraet i kameraholderen bruker du kun skruene som følger med. Lengre skruer skader kameraet.

- Fest kameraet **løst** med de fire skruene M3 x 8 mm i de to andre festehullene (fig. 20, side 8).
Nå er kameraet sentrert.

- Rett inn kameraet slik at objektivet danner en vinkel på ca. 20° til den loddrette akse til kjøretøyet (fig. **21**, side 8).

**MERK**

De fire skruene M3 x 8 mm trekkes til først når du har rettet ut kameraet (se kapittel «Teste funksjon og stille inn kameraet» på side 178). For å få til dette må du først eventuelt montere en skjerm til og koble den til elektrisk.

8.3 Koble til kameraet

**MERK**

- Legg kamerakabelen slik at det ved en evt. nødvendig demontering av kameraet er lett å komme til pluggforbindelsen mellom kamera og forlengelseskabel. På denne måten blir demonteringen betydelig enklere.
- For å redusere korrosjonen i støpslet til et minimum, anbefaler vi å påføre noe fett, f. eks. polfett i et av støpslene.

- Legg kamerakabelen inni kjøretøyet.
- Plugg støpslet til kamerakabelen inn i kontakten på forlengelseskabelen.
- Skru pluggforbindelsene til forbindelseskabelen for å beskytte mot inntrenging av vann (fig. **10**, side 5).

8.4 Koble til koblingsboks 9102200078 (fig. **24**, side 9)

Koblingsboksen er klar for montering.

- Fest koblingsboksen på et egnet sted.
- Koble til koblingsboksen elektrisk på følgende måte:
 - Koble kameraingangene på motoren til tilkoblingene «V1» og «V2».
 - Koble til kameraets systemkabel på tilkoblingen «TWIN».

Kameraet slås av eller på via reversen eller kameravalgbryteren på skjermen.

8.5 Koble til koblingsboks AMP 100 (fig. 25, side 10)



MERK

Hvis du ønsker å bruke begge kameramodulene ved kjøring framover, må du montere vippebryteren som følger med (se Monterings- og bruksanvisningen til AMP 100).

Koblingsboksen (følger ikke med i leveransen) er klar til montering.

- Monter koblingsboksen som beskrevet i den tilhørende Monterings- og bruksanvisningen.



MERK

Utgang «2» på koblingsboksen er en hjelpeutgang, for f.eks. å koble til en ekstern motor.

- Koble til koblingsboksen elektrisk som beskrevet i den tilhørende Monterings- og bruksanvisningen.

8.6 Teste funksjon og stille inn kameraet



MERK

Avstandsmerkene avstandsverdier (se kapittel «Vurdere avstander» på side 179) gjelder kun hvis kameraet er montert i en høyde på ca. 230 – 250 cm.

Kontroller den faktiske monteringshøyden når kameraet er montert.

Hvis monteringshøyden avviker fra disse verdiene, må du fastsette de faktiske avstandsverdiene for avstandsmerkene.

- Test funksjonen til kameraet etter at du har koblet det til en skjerm.
- Rett eventuelt inn kameraet ved hjelp av monitorbildet:
I nederste bildekant skal monitorbildet vise hekken hhv. støtfangeren til kjøretøyet ditt. Midten på støtfangeren skal også være midt på skjermbildet (fig. 23, side 9).
- Trekk til de fire festeskruene på kameraet.
- Sett på sidedekslene og sikre dem med en festeskruer hver (fig. 22, side 8).

Kontrast og lysstyrke stiller du inn på skjermen.

9 Bruke kameraet

9.1 Vurdere avstander

I ryggmodus lager kameraet tre avstandsmerker som vises som fargede streker på en tilkoblet skjerm (fig. 26, side 10).

Strekene gjør det enklere å vurdere kjøretøyets avstand til en hindring.

Når kameraet er montert i en høyde på ca. 230 – 250 cm, indikerer strekene følgende avstander:

Farge	Avstand
Grønn (A)	Ca. 3 m
Gul (B)	Ca. 1 m
Rød (C)	Ca. 0,3 m

10 Stell og rengjøring av kameraet



PASS PÅ!

Bruk ikke skarpe eller harde gjenstander til rengjøring, da det kan skade apparatet.

- Rengjør kameraet av og til med en myk, fuktig klut.

11 Garanti

Lovmessig garantitid gjelder. Hvis produktet skulle være defekt, kontakter du produsentens filial i ditt land (du finner adressene på baksiden av veiledningen) eller til din faghandler.

Ved henvendelser vedrørende reparasjon eller garanti, må du sende med følgende:

- defekt komponenter,
- kopi av kvitteringen med kjøpsdato,
- årsak til reklamasjonen eller beskrivelse av feilen.


12 Deponering

- Lever emballasje til resirkulering så langt det er mulig.



Når du tar produktet ut av drift for siste gang, må du sørge for å få informasjon om deponeringsforskrifter hos nærmeste resirkuleringsstasjon eller hos din faghandler.

13 Tekniske data

	PerfectView CAM44
Art.nr.:	9600000043
Bildesensor:	Lang sikt: 1/4" Color CMOS sensor, ca. 290000 piksler, 648(H) x 488(V) Kort sikt: 1/3" CMOS, 762(H) x 504(V)
TV-system:	PAL
Følsomhet:	< 1 Lux eller 0,0 Lux med IR LED (kort sikt)
Synsvinkel:	Fjernobjektiv: Ca. 50° Nærobjektiv: Ca. 140° diagonalt
Mikrofonfølsomhet:	ca. 56 dB
Lagringstemperatur:	-30 °C til +85 °C
Driftstemperatur:	-30 °C til +70 °C
Driftsspenning:	12 – 16 V===
Forbruk:	maks. 4 W
Mål B x H x D (med holder):	114 x 74 x 62 mm
Vekt:	ca. 360 g
Godkjenninger:	

Lue tämä ohje huolellisesti läpi ennen asennusta ja käyttöönottoa ja säilytä ohje hyvin. Jos myyt tuotteen eteenpäin, anna ohje tällöin edelleen uudelle käyttäjälle.

Sisällysluettelo

1	Symbolien selitys	182
2	Turvallisuus- ja kiinnitysohjeita	182
3	Toimituskokonaisuus.	185
4	Lisävarusteet	185
5	Määräysten mukainen käyttö	185
6	Tekninen kuvaus	186
7	Ohjeita sähköistä liittämistä varten	187
8	Kameran asennus	189
9	Kameran käyttäminen	195
10	Kameran hoito ja puhdistus	195
11	Tuotevastuu.	195
12	Hävittäminen	196
13	Tekniset tiedot.	196

1 Symbolien selitys



VAROITUS!

Turvallisuusohje: Huomiotta jättäminen voi aiheuttaa hengenvaaran tai vakavan loukkaantumisen.



HUOMIO!

Turvallisuusohje: Huomiotta jättäminen voi johtaa loukkaantumiseen.



HUOMAUTUS!

Huomiotta jättäminen voi johtaa materiaalivaurioihin ja haitata tuotteen toimintaa.



OHJE

Tuotteen käyttöä koskevia lisätietoja.

2 Turvallisuus- ja kiinnitysohjeita

Noudata ajoneuvovalmistajan ja autoalan ammattipiirien antamia turvallisuusohjeita ja vaatimuksia!

Valmistaja ei ota mitään vastuuta vahingoista seuraavissa tapauksissa:

- asennus- tai liitännävirheet
- tuotteeseen mekaanisen vaikutuksen tai ylijännitteiden takia syntyneet vauriot
- tuotteeseen ilman valmistajan nimenomaista lupaa tehdyt muutokset
- käyttö muuhun kuin käyttöohjeessa ilmoitettuun tarkoitukseen

Noudattakaa siksi seuraavia ohjeita:

- Irrottakaa akun miinusnapa oikosulkuvaaran takia aina ennen ajoneuvoelektronikkaan liittyvien töiden aloittamista.
Jos ajoneuvossa on lisäakku, myös sen miinusnapa täytyy irrottaa.
- Riittämättömät johtimet voivat aiheuttaa oikosulun, jonka takia
 - syntyy johtopaloja,
 - ilmatyyny (airbag) laukeaa,
 - elektroniset ohjauslaitteistot vahingoittuvat,
 - sähköiset toiminnot lakkaavat toimimasta (vilkku, jarruvalo, äänimerkki, sytytys, valot).

- Käytä töissä, jotka koskevat seuraavia johtimia, vain eristettyjä kaapelikenkiä, pistokkeita ja abiko-liittimiä:
 - 30 (suora plus akusta),
 - 15 (kytketty plus, akun takana),
 - 31 (akun paluujohdin, maa),
 - 58 (peruutusvalo).

Älä käytä sokeripaloja.

- Käytä johtojen liittämiseen abiko-pihtejä (kuva **1** 10, sivulla 3).
- Ruuvaa johto liittäessäsi johtimeen 31 (maa)
 - kaapelikengällä ja lukkoprikalla ajoneuvon omaan maadoitusruuviin tai
 - kaapelikengällä ja peltiruuvilla ajoneuvon koripeltiin.

Huolehdi hyvästä maadoituksesta!

Kun akun miinusnapa irrotetaan, kaikista mukavuuselektroniiikan sähköisistä muisteista häviää niihin tallennetut tiedot.

- Aseta ajoneuvon varustelusta riippuen seuraavat tiedot uudelleen:
 - radiokoodi
 - ajoneuvokello
 - kytkinkello
 - ajoneuvotietokone
 - istuimen asento

Asetusohjeita löydät kustakin käyttöohjeesta.

Noudata asennuksessa seuraavia ohjeita:

- Kiinnitä kameran ajoneuvoon asennettavat osat siten, etteivät ne missään tapauksessa (äkkijarrutus, liikenneonnettomuus) irtoa ja johda **matkustajien loukkantumiseen**.
- Kiinnitä järjestelmän verhousten alle kiinnitettävät osat siten, että ne eivät voi irrota tai vahingoittaa muita osia ja johtimia tai haitata mitään ajoneuvon toimintoja (ohjaus, polkimet jne.)
- Huolehdi poratessasi siitä, että poran terällä on reiän takana riittävästi tilaa, jotta terä ei aiheuta vaurioita (kuva **2**, sivulla 4).
- Pyöristä kaikkien reikien reunat ja käsittele ne ruostesuoja-aineella.
- Ota aina huomioon ajoneuvon valmistajan turvallisuusohjeet. Eräitä töitä (esim. turvatyynyn tapaiset järjestelmät jne.) saa tehdä vain koulutuksen saanut ammattihenkilökunta.

Noudata seuraavia ohjeita sähköisiin osiin liittyvissä töissä:

- Käytä jännitteen tarkastamiseen sähköjohtimista vain diodijännitekynää (kuva **1** 8, sivulla 3) tai volttimittaria (kuva **1** 9, sivulla 3). Jännitekynät, joissa on lamppu (kuva **1** 12, sivulla 3) ottavat liian paljon virtaa, jolloin ajoneuvon elektronikka voi vaurioitua.
- Huolehdi ennen sähköjohtojen vetämistä siitä, että ne
 - eivät ole taitteella tai kierteellä,
 - eivät hankaa reunoihin,
 - eivät kulje suojaamattomina teräväreunaisista rei'istä (kuva **3**, sivulla 4).
- Eristä kaikki johtimet ja liitännät.
- Kiinnitä johdot mekaanisen kuormituksen estämiseksi johtokiinnittimillä tai eristysnauhalla, esim. ajoneuvossa jo oleviin johtoihin.

Kamera on vesitiivis. Kameran tiivisteet eivät kuitenkaan kestä korkeapainepesuria (kuva **4**, sivulla 4). Noudata siksi seuraavia kameran käsittelyä koskevia ohjeita:

- Älä avaa kameraa, koska tämä haittaa sen tiiviyyttä ja toimintakykyä (kuva **5**, sivulla 4).
- Älä vedä johdoista, koska tämä haittaa kameran tiiviyyttä ja toimintakykyä (kuva **6**, sivulla 4).
- Kamera ei sovi käytettäväksi veden alla (kuva **7**, sivulla 4).

3 Toimituskokonaisuus

Nro – kuva 8, sivulla 5	Määrä	Nimitys	Tuotenro
1	1	Kamera moottorikäyttöisellä suojakannella	
2	2	Peitelevy	
3	1	Kameran suojus	
4	1	Kameran pidike	
5	1	Eristinalusta	
6	1	Adapterirasia CAM44	9102200078
7	1	Jatkojohto	9102200030
–	1	Kiinnitysmateriaali	

4 Lisävarusteet

Saatavissa lisävarusteena (ei sisälly toimituskokonaisuuteen):

Nimitys	Tuotenro
Kytkinrasia AMP100	9600000210

5 Määräysten mukainen käyttö

Kamera CAM44 (tuotenro 9600000043) on ajateltu käytettäväksi ensisijaisesti ajoneuvoissa. Sitä voidaan käyttää peruutusvideojärjestelmissä, joita käytetään suoraan ajoneuvon takana olevan alueen tarkkailemiseen kuljettajan paikalta käsin, esim. ajoneuvoa käänneltäessä tai pysäköitäessä.



VAROITUS!

Peruutusvideojärjestelmät ovat peruutusapuvälineitä, kuitenkin ne **eivät** vapauta sinua **velvollisuudesta olla erityisen varovainen peruuttaessasi.**

6 Tekninen kuvaus

Värikamera ja yhdysrakenteinen mikrofoni on sijoitettu alumiinikoteloon ja ne välittävät kuvan ja äänen johtoa pitkin monitoriin. Siinä on objektiivi kauko- ja lähinäkyvyydelle. Infrapuna-LEDit parantavat yönäkyvyyttä.

Kaukonäkyvyys-objektiivi näyttää ajoneuvon takana olevan tilan, samoin kuin katsoisit takaikkunasta. Voit kytkeä sen päälle, kun et aja peruutusvaihteella.

Lähinäkyvyys-objektiivi (peruutuskamera) on laajakulmaobjektiivi, joka näyttää suoraan ajoneuvon takana olevan tilan. Se aktivoituu, kun peruutusvaihte laitetaan päälle.

Kamera luo peruutustilassa kolme välimatkamerkkiä, jotka näytetään liitetystä värimonitorissa värillisinä linjoina.

Kamera CAM44 on suojattu likaantumiselta moottorikäyttöisellä suojakannella.



OHJE

Kameroissa on tehtaalla asetettu peilikuvaesitys. Liitetyn monitorin tulee sen vuoksi toimia normaalikuva-toiminolla.

Kamera muodostuu seuraavista elementeistä:

Nro kuva 9, sivulla 5	Nimitys
1	6-napainen liitäntäjohto
2	Kaukonäkyvyys-objektiivi
3	Infrapuna-LEDit
4	Lähinäkyvyys-objektiivi (peruutuskamera)
5	Mikrofoni

7 Ohjeita sähköistä liittämistä varten

7.1 Johtojen vetäminen



HUOMAUTUS! Vahingoittumisvaara!

- Jos poraat reikiä, tarkasta ensin, onko porausreiän takana tarpeeksi vapaata tilaa.
- Epäasianmukaiset johtoyhteydet ja -liitokset johtavat yhä uudelleen virhetoimintoihin ja rakenneosien vaurioitumiseen. Johtojen asianmukainen vetäminen ja liittäminen on varusteosien jatkuvan ja virheettömän toiminnan perusedellytys.
- Johdot eivät saa joutua pitkäksi aikaa kosketuksiin liuotinten kuten esim. bensiinin kanssa, koska liuottimet vahingoittavat muuten johtoja.

Noudata siksi seuraavia ohjeita:

- Käyttäkää liitäntäjohtojen läpiviemiseen mahdollisuuksien mukaan alkuperäisiä läpivientipaikkoja tai muita läpivientimahdollisuuksia kuten esim. verhouksen reunoja, tuuletusritilöitä tai puuttuvien kytkinten peitelevyjä. Jos läpivientipaikkoja ei ole, Teidän täytyy porata kyseisiä johtoja vastaavat reiät. Katsokaa etukäteen, että porausreiän toisella puolella on riittävästi tilaa.
- Vedä johdot aina mahdollisuuksien mukaan ajoneuvon sisälle, koska siellä ne on paremmin suojassa kuin ajoneuvon ulkopuolella. Jos kuitenkin vedät johdot ajoneuvon ulkopuolelle, varmista niiden varma kiinnitys (lisäjohtokiinnittimet, eristinnauhat jne.).
- Johtojen vioittumisen välttämiseksi säilytä johtoja vetäessäsi aina riittävä etäisyys ajoneuvon kuumiin ja liikkuviin osiin (pakoputki, vetoakselit, laturi, tuuletin, lämmitin jne.). Käytä mekaaniseen suojaamiseen aaltoputkea tai vastaavanlaisia suojamateriaaleja.
- Ruuvaa liitäntäjohdon pistokeliittimet kiinni estämään veden tunkeutuminen liitokseen (kuva **10**, sivulla 5).
- Huolehdi ennen johtojen vetämistä siitä, että ne
 - eivät ole voimakkaasti taitteella tai kierteellä,
 - eivät hankaa reunoihin,
 - eivät kulje suojaamattomina teräväreunaisista rei'istä (kuva **3**, sivulla 4).
- Kiinnitä johdot ajoneuvoon, jotta niihin ei voi jäädä kiinni (kompastumisvaara). Tähän voidaan käyttää johtokiinnittimiä, eristysnauhaa tai liimalla liimaamista.

- Suojaa jokainen ulkopintaan tehtävä reikä sopivin keinoin vesivahingoilta, esim. asettamalla johto tiivistysmassan kanssa paikalleen ja suihkuttamalla johto ja läpivientiholkki tiivistysmassalla.



OHJE

Aloita läpivientien tiivistäminen vasta sitten, kun kaikki kameraa koskevat säätötyöt on tehty loppuun ja liitäntäjohtojen tarvittavat pituudet ovat selvillä.

7.2 Haaroituskappaleen käyttäminen

Huolehdi siitä, että johdot sopivat haaroituskappaleisiin läpimitaltaan, jotta haaroitusliitännöissä ei ilmenisi pätkiviä kontakteja.

Käytä haaroituskappaleita seuraavasti:

- ▶ Vedä johto, johon aiot tehdä haaran, haaroituskappaleen etummaiseen uraan (kuva **11** A, sivulla 6).
- ▶ Aseta uuden johdon pää n. 3/4 matkalta taaempaan uraan (kuva **11** B, sivulla 6).
- ▶ Sulje kappale ja paina tongeilla kappaleen metallireunaa niin, että sähköinen yhteys syntyy (kuva **11** C, sivulla 6).
- ▶ Paina suojakansi alas ja anna kappaleen loksahda kiinni.
- ▶ Tarkasta haaraliitännän kiinnitys vetämällä johdosta (kuva **11** D, sivulla 6).

7.3 Asiallisen juotoksen tekeminen

Juota johto kiinni alkuperäisjohtimiin seuraavasti:

- ▶ Poista alkuperäisjohtimen eristys 10 mm:n matkalta (kuva **12** A, sivulla 6).
- ▶ Poista liitettävän johtimen eristys 15 mm:n matkalta (kuva **12** B, sivulla 6).
- ▶ Kierrä liitettävä johto alkuperäisjohdon ympärille ja juota molemmat johdot yhteen (kuva **12** G, sivulla 6).
- ▶ Eristä johdot eristysnauhalla (kuva **12** D, sivulla 6).

Liitä kaksi johtoa kiinni toisiinsa seuraavasti:

- Poista eristys molemmista johdoista (kuva **13** A, sivulla 6).
- Vedä toisen johdon päälle n. 20 mm:n pituinen kutistemuovisukka (kuva **13** B, sivulla 6).
- Kierrä johdot toistensa ympärille ja juota ne yhteen (kuva **13** C, sivulla 6).
- Työnnä kutistemuovisukka juotoskohdan päälle ja lämmitä sitä hieman (kuva **13** D, sivulla 6).

8 Kameran asennus

8.1 Tarvittavat työkalut

Kiinnittämiseen ja asentamiseen tarvitset seuraavia työkaluja:

- Poranteräsarja (kuva **1** 1, sivulla 3)
- Porakone (kuva **1** 2, sivulla 3)
- Ruuvimeisseli (kuva **1** 3, sivulla 3)
- Lenkki- tai kiintoavainsarja (kuva **1** 4, sivulla 3)
- Mitta (kuva **1** 5, sivulla 3)
- Vasara (kuva **1** 6, sivulla 3)
- Merkkipuikko (kuva **1** 7, sivulla 3)

Sähköliitäntää ja sen tarkastamista varten tarvitset seuraavia apuvälineitä:

- Diodijännitekynä (kuva **1** 8, sivulla 3) tai volttimittari (kuva **1** 9, sivulla 3)
- Eristysnauhaa (kuva **1** 11, sivulla 3)
- Mahd. johdon läpivientiholkkeja

Johtojen kiinnittämiseen tarvitaan mahdollisesti vielä lisää johtokiinnittimiä.

8.2 Kameran asentaminen



HUOMIO!

Valitse kameran paikka hyvin ja kiinnitä se niin lujasti, että kamera se ei voi missään tapauksessa johtaa lähellä seisovien ihmisten loukkaantumiseen esim. ajoneuvon osuvien oksien repäistessä kameran irti.



OHJE

Jos ajoneuvon ajoneuvopapereihin merkitty korkeus tai pituus muuttuu kameran asentamisen takia, muutos täytyy hyväksyttää asianomaisissa paikoissa (katsastuskonttorit).

Anna oman liikenneviranomaisesi kirjata uusi hyväksyntä ajoneuvopapereihin.

Noudata asennuksessa seuraavia ohjeita:

- Ulkokamera tulisi tarkoituksenmukaisen kuvakulman saavuttamiseksi asentaa vähintään 2 m korkeudelle.
Huolehdi asennustöissä siitä, että työskentelypaikka on riittävän tukeva.
- Huolehdi siitä, että kameran asennuspaikka on riittävän tukeva (esim. ajoneuvon kattoa pyyhkivät oksat voivat tarttua kameraan).
- Asenna kamera vaakasuoraan keskelle ajoneuvon takaosaa (kuva **14**, sivulla 7).
- Käytä ehdottomasti mukana toimitettua eristinalustaa (kuva **8**, sivulla 5). Sillä estetään ajoneuvon huonoista maadoitusliitännöistä johtuvat vuotovirrat. Vuotovirroista seuraa kuvassa näkyviä raitoja tai kovaäänisestä kuuluvaa hurinaa ja jopa vaurioita.
- Varmin kiinnitys saavutetaan korirakenteen katon läpi menevillä ruuveilla.
Noudata tällöin seuraavia ohjeita:
 - Valitun asennuspaikan takana täytyy olla riittävästi vapaata tilaa asennusta varten.
 - Jokainen läpivienti täytyy suojata sopivin keinoin vesivahinkoja vastaan (esim. laittamalla ruuveihin tiivistysmassaa ja/tai suihkuttamalla ulkoiset kiinnitysosat tiivistysmassalla).
 - Korirakenteen täytyy olla kiinnityskohdassa riittävän tukeva, jotta kamerapidike voidaan kiristää riittävän kireälle.
- Tarkasta etukäteen, että porausreiän toisella puolella on riittävästi tilaa (kuva **2**, sivulla 4).
- Jos et ole varma valitsemastasi asennuspaikasta, käänny korirakenteen valmistajan tai sen edustajan puoleen.

**OHJE**

Rasvaa ruuvien kierteet ruuvikorroosion minimoimiseksi.

Suorita asennus seuraavasti:

- Pidä kameran pidikettä valitussa asennuspaikassa ja merkitse vähintään kaksi eri porauskohtaa (kuva **15**, sivulla 7).
- Tee aiemmin merkittyihin kohtiin vasaralla ja merkkipuikolla alkusyvennys, jotta poranterä ei lipsahda kohdaltaan.

Jos haluat ruuvata kameran kiinni peltiruuveilla (kuva **16, sivulla 7)****HUOMAUTUS!**

Peltiruuveja saa käyttää kiinnittämiseen vain, kun kiinnitysalusta on vähintään 1,5 mm paksua teräspeltiä.

- Poraa merkitsemiisi kohtiin Ø 4 mm:n reiät.
- Pyöristä kaikki poratut reiät ja suojaa ne ruosteelta.
- Liimaa molemmilta puoliiltaan liimautuva eristysalusta (kuva **8** 5 sivulla 5) pidikkeen asennuspuolelle.
Eristyslevy toimii myös tiivisteenä ja suojaa maalipintaa.
- Ruuvaa kameran pidike kiinni paikalleen 5 x 20 mm -peltiruuveilla.

Jos haluat kiinnittää kameran korirakenteen läpi kierreruuveilla (kuva **17, sivulla 7)****HUOMAUTUS!**

Huolehdi siitä, että mutterit eivät voi niitä kiristettäessä kiskoutua korirakenteen läpi.

Käytä mahd. suurempia prikoja tai peltilevyjä.

- Poraa merkitsemiisi kohtiin Ø 5,5 mm:n reiät.
- Pyöristä kaikki poratut reiät ja suojaa ne ruosteelta.
- Liimaa molemmilta puoliiltaan liimautuva eristysalusta (kuva **8** 5 sivulla 5) pidikkeen asennuspuolelle.
Eristyslevy toimii myös tiivisteenä ja suojaa maalipintaa.
- Ruuvaa kameran pidike kiinni M5 x 20 mm -kierreruuveilla.
Koripaksuudesta riippuen voit tarvita pidemmät kierreruuvit.

Kameran liitäntäjohdon läpiviennin tekeminen (kuva 18, sivulla 8)



OHJE

Käyttäkää liitäntäjohtojen läpivientiin mahdollisuuksien mukaan valmiina olevia läpivientipaikkoja, esim. tuuletusritiloita. Jos läpivientipaikkoja ei ole, Teidän täytyy porata Ø 16 mm:n reikä.



HUOMAUTUS! Vahingoittumisvaara!

Tarkastakaa etukäteen, että porausreiän toisella puolella on riittävästi tilaa.

- Pora a kameran lähelle Ø 16 mm:n reikä.
- Pyöristä kaikki peltiin poratut reiät ja suojaa ne ruosteelta.
- Laita kaikkiin teräväreunaisiin reikiin läpivientiholkki.

Kameran ja kameran suojuksen kiinnittäminen



HUOMAUTUS!

Kameraa ei saa asentaa milloinkaan ilman lisäkameran suojusta. Käytä kameran suojuksen asentamiseen vain ruuveja M3 x 6 mm. Pidemmät ruuvit vahingoittavat kameraa.

- Työnnä kamerasuojus (kuva 8 3, sivulla 5) kameran pidikkeen päälle siten,
 - että kamerasuojuksen kiinnitysruuvaus (kuva 19, sivulla 8) on kameran 3-mm-kierteen päällä.
 - että molemmat muut kiinnitysruuvaukset (kuva 19, sivulla 8) ovat kameran 3-mm-kierteiden päällä.
- Kiinnitä kamerasuojus molemmilla ruuveilla M3 x 6 mm kiinnitysruuvaukseen (ks. kuva 19, sivulla 8).
- Työnnä kamera kamerapidikkeeseen (kuva 20, sivulla 8).



HUOMAUTUS!

Käytä kameran kiinnittämiseen pidikkeeseen vain mukana toimitettuja ruuveja. Pidemmät ruuvit vahingoittavat kameraa.

- Kiinnitä kamera **löysästi** neljällä ruuvilla M3 x 8 mm molempiin muihin kiinnitysruuvauksiin (kuva 20, sivulla 8).
Kamera on nyt keskitetty.
- Suuntaa kamera siten, että objektiivi muodostaa n. 20° kulman ajoneuvon pystyakseliin nähden (kuva 21, sivulla 8).

**OHJE**

Kiristä neljä ruuvia M3 x 8 mm vasta, kun olet ensin suunnannut kameran (katso kap. "Toiminnan tarkastaminen ja kameran säätäminen" sivulla 194).

Tätä varten sinun täytyy vielä ensin asentaa monitori ja liittää se sähköisesti.

8.3 Kameran liittäminen

**OHJE**

- Vetäkää kamerajohto siten, että kameran ja jatkojohdon pistoliitäntään päästään helposti käsiksi, jos kamera täytyy mahdollisesti irrottaa. Asennuksen purkaminen helpottuu näin huomattavasti.
- Laittakaa pistokkeeseen hieman rasvaa, esim. naparasvaa, pistokkeiden korroosion minimoimiseksi.

- Vedä kamerajohto ajoneuvon sisään.
- Työnnä kamerajohdon pistoke jatkojohdon pistoliittimeen.
- Ruuvaa liitäntäjohdon pistokeliittimet kiinni estämään veden tunkeutuminen liitokseen (kuva **10**, sivulla 5).

8.4 Kytkinrasian 9102200078 liittäminen (kuva **24**, sivulla 9)

Kytkinrasia on valmisteltu asennusvalmiiksi.

- Kiinnitä kytkinrasia sopivaan paikkaan.
- Liitä kytkinrasia sähköisesti seuraavalla tavalla:
 - Liitä monitorin kameratulot liittimiin "V1" ja "V2".
 - Liitä kameran järjestelmäjohto liitäntään "TWIN".

Kamera kytketään päälle ja pois peruutusvaihteella tai kameran valintapainikkeella monitorista.

8.5 Kytkinrasian AMP100 (kuva 25, sivulla 10)



OHJE

Jos haluat käyttää molempia kameramoduuleja eteenpäinajossa, tulee mukana toimitetut vipukatkaisimet asentaa (katso asennus- ja käyttöohje AMP100).

Kytkinrasia (ei sisälly toimituskokonaisuuteen) on valmisteltu asennusvalmiiksi.

- Asenna kytkinrasia kuten siihen kuuluvassa asennus- ja käyttöohjeessa kuvataan.



OHJE

Kytkinrasian lähtö "2" on apulähtö, liitettäväksi esim. toiseen monitoriin.

- Liitä kytkinrasia sähköisesti kuten siihen kuuluvassa asennus- ja käyttöohjeessa kuvataan.

8.6 Toiminnan tarkastaminen ja kameran säätäminen



OHJE

Välimatkamerkkien etäisyysarvot (katso kap. "Etäisyyksien arvioiminen" sivulla 195) pätevät vain silloin, kun kamera on asennettu n. 230 – 250 cm:n korkeudelle.

Tarkasta todellinen asennuskorkeus kameran asentamisen jälkeen.

Jos asennuskorkeus poikkeaa näistä arvoista, selvitä välimatkamerkkien todelliset etäisyysarvot.

- Tarkasta kameran toiminta sen jälkeen, kun olet liittänyt sen monitoriin.
- Suuntaa kamera tarvittaessa monitorikuvan avulla:
Monitorikuvan alareunassa tulisi näkyä ajoneuvon perä tai takapuskuri. Takapuskurin keskikohdan tulisi olla myös monitorikuvan keskikohta (kuva 23, sivulla 9).
- Kiristä kameran neljä kiinnitysruuvia.
- Aseta sivukatteet paikoilleen ja varmista jokainen niistä kiinnitysruuvilla (kuva 22, sivulla 8).

Suorita kontrasti- ja kirkkaussäädöt monitorin avulla.

9 Kameran käyttäminen

9.1 Etäisyyksien arvioiminen

Kamera luo peruutustilassa kolme välimatkamerkkiä, jotka näytetään liitettyssä värimonitorissa värillisinä linjoina (kuva 26, sivulla 10).

Linjat helpottavat ajoneuvon ja esteen välisen etäisyyden arvioimista.

Jos kamera on asennettu n. 230 – 250 cm:n korkeudelle, linjat osoittavat seuraavat etäisyydet:

Väri	Etäisyys
vihreä (A)	n. 3 m
keltainen (B)	n. 1 m
punainen (C)	n. 0,3 m

10 Kameran hoito ja puhdistus



HUOMAUTUS!

Älä käytä puhdistamiseen teräviä tai kovia välineitä, koska tämä voi johtaa laitteen vahingoittumiseen.

► Puhdista kamera toisinaan pehmeällä, kostealla rievulla.

11 Tuotevastuu

Laitetta koskee lakisääteinen takuu aika. Jos tuote sattuu olemaan viallinen, käänny maasi valmistajan toimipisteen puoleen (osoitteet käyttöohjeen takasivulla) tai ota yhteyttä omaan ammattikauppiaseesi.

Korjaus- ja takuukäsittelyä varten lähetä mukana seuraavat:

- vialliset osat,
- kopio ostolaskusta, jossa näkyy ostopäivä,
- valitusperuste tai vikakuvaus.


12 Hävittäminen

- Vie pakkausmateriaali mahdollisuuksien mukaan vastaavan kierrätysjätteen joukkoon.



Jos poistat tuotteen lopullisesti käytöstä, pyydä tietoa sen hävittämistä koskevista määräyksistä lähimmästä kierrätyskeskuksesta tai ammattiliikkeestäsi.

13 Tekniset tiedot

	PerfectView CAM44
Tuotenro.:	9600000043
Kuvakenno:	Kaukonäkyvyys: 1/4" väri-CMOS-sensori, n. 290 000 kuvapistettä, 648(H) x 488(V) Lähinäkyvyys: 1/3" CMOS, 762(H) x 504(V)
TV-järjestelmä:	PAL
Herkkyys:	< 1 Lux tai 0,0 Lux IR-LEDillä (lähinäkyvyys)
Kuvakulma:	Kaukonäkyvyys-objektiivivi: n. 50° lähinäkyvyys-objektiivivi: n. 140° kulmittain
Mikrofoniherkkyys:	n. 56 dB
Säilytyslämpötila:	-30 °C – +85 °C
Käyttölämpötila:	-30 °C – +70 °C
Käyttöjännite:	12 – 16 V===
Kulutus:	maks. 4 W
Mitat L x K x S (pidikkeen kanssa):	114 x 74 x 62 mm
Paino:	n. 360 g
Hyväksynnät:	

Прочтите данную инструкцию перед монтажом и вводом в эксплуатацию и сохраните ее. В случае передачи продукта передайте инструкцию следующему пользователю.

Оглавление

1	Пояснение символов	198
2	Указания по безопасности и монтажу	198
3	Объем поставки	201
4	Принадлежности	201
5	Использование по назначению	201
6	Техническое описание	202
7	Указания по присоединению к электрической сети	203
8	Монтаж камеры	206
9	Использование камеры	213
10	Уход и очистка камеры	213
11	Гарантия	213
12	Утилизация	214
13	Технические данные	214

1 Пояснение символов

**ПРЕДУПРЕЖДЕНИЕ!**

Указания по технике безопасности: Несоблюдение может привести к смертельному исходу или тяжелым травмам.

**ОСТОРОЖНО!**

Указания по технике безопасности: Несоблюдение может привести к травмам.

**ВНИМАНИЕ!**

Несоблюдение может привести к повреждениям и нарушить работу продукта.

**УКАЗАНИЕ**

Дополнительная информация по управлению продуктом.

2 Указания по безопасности и монтажу

Соблюдайте указания по технике безопасности и требования, предписанные изготовителем автомобиля и автомастерской!

Изготовитель не несет никакой ответственности за ущерб в следующих случаях:

- Ошибки монтажа или подключения
- Повреждения продукта из-за механических воздействий и перенапряжений
- Изменения в продукте, выполненные без однозначного разрешения изготовителя
- Использование в целях, отличных от указанных в данной инструкции

Поэтому соблюдайте следующие указания:

- Вследствие опасности короткого замыкания перед работами на электрической системе автомобиля всегда отсоединяйте клемму отрицательного полюса.
В автомобилях с добавочной аккумуляторной батареей Вы и на ней должны отсоединить клемму отрицательного полюса.

- Неудовлетворительное присоединение проводов может привести к тому, что вследствие короткого замыкания
 - возникает возгорание кабелей,
 - срабатывает надувная подушка безопасности,
 - получают повреждения электронные устройства управления,
 - выходят из строя электрические функции (указатели поворота, сигнал торможения, звуковой сигнал, зажигание, освещение).
- Используйте при работах на следующих линиях только изолированные кабельные зажимы, штекеры и наружные штекеры:
 - 30 (вход положительного полюса батареи, прямой),
 - 15 (включенный положительный полюс, за аккумуляторной батареей),
 - 31 (обратная цепь от аккумуляторной батареи, корпус),
 - 58 (фара заднего хода).

Не используйте клеммовые колодки.

- Для соединения кабелей используйте обжимные клещи (рис. **1** 10, стр. 3).
- Привинтите кабель при соединениях к проводу 31 (корпус)
 - с помощью кабельного зажима и зубчатой пружинной шайбы к винту для соединения с корпусом, имеющемуся на автомобиле или
 - с помощью кабельного зажима и самонарезающего винта к листу кузова.Обеспечивайте хорошее соединение с корпусом!

При отсоединении клеммы отрицательного полюса аккумуляторной батареи все энергозависимые запоминающие устройства электроники систем комфорта теряют сохраненные в них данные.

- В зависимости от оснащения автомобиля, вам придется заново настроить следующие данные:
 - Код радиоприемника
 - Часы автомобиля
 - Таймер
 - Бортовой компьютер
 - Положение сидений

Указания по настройке приведены в соответствующей инструкции по эксплуатации.

При монтаже соблюдайте следующие указания:

- Крепите установленные в автомобиле детали камеры так, чтобы они ни при каких условиях (резком торможении, аварии) не могли отсоединиться, тем самым приводя к травмам пассажиров.

- Крепите скрытые, устанавливаемые под обшивкой детали системы так, чтобы они не могли отсоединиться или повредить другие детали и провода и нарушить функции автомобиля (рулевое управление, педали и т. п.).
- Во избежание повреждений при сверлении следите за достаточным свободным пространством для выхода сверла (рис. **2**, стр. 4).
- Зачистите все отверстия и смажьте их антикоррозионным средством.
- Всегда соблюдайте указания изготовителя автомобиля по технике безопасности.

Некоторые работы (например, на системах безопасности, в т. ч. на надувных подушках безопасности) разрешается выполнять только обученному персоналу.

При работах на электрической системе соблюдайте следующие указания:

- Для проверки напряжения в электрических линиях используйте только диодную контрольную лампу (рис. **1** 8, стр. 3) или вольтметр (рис. **1** 9, стр. 3). Контрольные лампы с нитью накала (рис. **1** 12, стр. 3) потребляют слишком большой ток, вследствие чего может быть повреждена электроника автомобиля.
- При прокладке электрических линий следите за тем, чтобы они
 - не перегибались и не скручивались,
 - не терлись о кромки,
 - не прокладывались без защиты через вводы, имеющие острые кромки (рис. **3**, стр. 4).
- Заизолируйте все линии и соединения.
- Предохраните кабели от механических нагрузок, зафиксировав их кабельными стяжками или изоляционной лентой, например, за имеющиеся линии.

Камера является водонепроницаемой. Но уплотнения камеры не выдерживают очистки высоким давлением (рис. **4**, стр. 4). Поэтому соблюдайте следующие указания по обращению с камерой:

- Не вскрывайте камеру, т. к. это отрицательно сказывается на герметичности и работоспособности (рис. **5**, стр. 4).
- Не тяните за кабели, т. к. это отрицательно сказывается на герметичности и работоспособности камеры (рис. **6**, стр. 4).
- Камера не пригодна для работы под водой (рис. **7**, стр. 4).

3 Объем поставки

№ на рис. 8, стр. 5	Кол-во	Наименование	Арт. №
1	1	Камера с защитной крышкой с электроприводом	
2	2	Кожух	
3	1	Устройство защиты камеры	
4	1	Держатель камеры	
5	1	Изолирующая подкладка	
6	1	Адаптерный блок CAM44	9102200078
7	1	Удлинительный кабель	9102200030
–	1	Крепежный материал	

4 Принадлежности

Продается в качестве принадлежности (не входит в объем поставки):

Наименование	Арт. №
Коммутационный блок AMP100	9600000210

5 Использование по назначению

Камера CAM44 (арт. № 9600000043) предназначена преимущественно для использования в автомобилях. Она может применяться в видеосистемах заднего вида, служащих для наблюдения за зоной непосредственно позади автомобиля с сиденья водителя, например, при маневрировании или парковке.



ПРЕДУПРЕЖДЕНИЕ!

Видеосистемы заднего вида служат для поддержки при движении задним ходом, но **не освобождают** Вас от обязанности **соблюдать повышенную осторожность при движении задним ходом.**

6 Техническое описание

Цветная камера со встроенным микрофоном размещена в алюминиевом корпусе и передает изображение и звук по кабелю к монитору. Она оснащена объективом дальнего обзора и объективом ближнего обзора. Благодаря инфракрасным светодиодам улучшается видимость ночью.

Объектив дальнего обзора показывает пространство позади автомобиля так, как Вы бы его видели через заднее окно. Вы можете его включить, когда не выполняете движение задним ходом.

Объектив ближнего обзора (камера заднего вида) представляет собой широкоугольный объектив, который показывает пространство непосредственно позади автомобиля. Он включается при включении передачи заднего хода.

В режиме заднего хода камера создает три метки дальности, которые показываются на подключенном цветном мониторе в виде цветных линий.

Камера CAM44 снабжена механической предохранительной крышкой от загрязнения.



УКАЗАНИЕ

Камеры в заводском исполнении оснащены зеркально-симметричным отображением. Поэтому подключенный монитор должен работать с функцией нормального изображения.

Камера состоит из следующих основных элементов:

№ на рис. 9, стр. 5	Наименование
1	б-конт. питающий кабель
2	Объектив дальнего обзора
3	Инфракрасные светодиоды
4	Объектив ближнего обзора (камера заднего вида)
5	Микрофон

7 Указания по присоединению к электрической сети

7.1 Прокладка кабелей



ВНИМАНИЕ! Опасность повреждения!

- При сверлении отверстий предварительно убедитесь в том, что имеется достаточно свободного пространства для выхода сверла.
- Неправильная прокладка и соединения кабелей ведут к постоянным выходам из строя или повреждениям деталей. Правильная прокладка и соединения кабелей - основное условие длительной, бесперебойной работы дополнительно установленных компонентов.
- Кабели не должны длительное время находиться в контакте с растворителями, например, бензином, т. к. растворители повреждают кабели.

Поэтому соблюдайте следующие указания:

- Для ввода соединительных кабелей используйте, по возможности, оригинальные вводы или другие сквозные отверстия, например, края обшивки, вентиляционные решетки или заглушки. Если сквозные отверстия отсутствуют, необходимо просверлить для каждого кабеля подходящие отверстия. Предварительно проверьте, имеется ли достаточно свободного места для выхода сверла.
- По возможности, всегда прокладывайте кабели внутри автомобиля, т. к. там они защищены лучше, чем снаружи. Если, тем не менее, Вы прокладываете кабели снаружи автомобиля, то обеспечивайте надежное крепление (с помощью дополнительных кабельных стяжек, изоленды и т. п.).
- Во избежание повреждений кабелей всегда соблюдайте при их прокладке достаточное расстояние до горячих и подвижных узлов автомобиля (выхлопных труб, приводных валов, генератора, нагревателей, вентиляторов и т. п.). Для механической защиты используйте гофрированные трубки или аналогичные защитные материалы.
- Свинтите штекерные соединения соединительных кабелей для защиты от попадания воды. (рис. **10**, стр. 5).

- При прокладке кабелей следите за тем, чтобы они
 - не перегибались и не скручивались,
 - не терлись о кромки,
 - не прокладывались без защиты через вводы, имеющие острые кромки (рис. **3**, стр. 4).
- Надежно крепите кабели в автомобиле, чтобы предотвратить запутывание (опасность падения). Надежное крепление можно обеспечить, используя кабельные стяжки, изоленту или клей.
- Защищайте подходящим образом каждое отверстие в наружной облицовке от попадания воды, например, путем установки кабеля с герметиком и нанесения герметика на кабель и проходную втулку.



УКАЗАНИЕ

Начинайте герметизацию отверстий только после того, как все работы по настройке камеры закончены и определены длины соединительных кабелей.

7.2 Использование соединителей отвода

Во избежание плохого контакта в отводах следите за тем, чтобы поперечные сечения кабелей соответствовали соединителям отвода.

Для использования соединителей отвода соблюдайте следующий порядок действий:

- Уложите кабель, от которого должен быть выполнен отвод, в переднюю канавку соединителя отвода (рис. **11** А, стр. 6).
- Уложите новый кабель концом приблизительно на 3/4 в заднюю канавку (рис. **11** В, стр. 6).
- Закройте соединитель и вдавите пассатижами металлическую перемычку в соединитель так, чтобы установилось электрическое соединение (рис. **11** С, стр. 6).
- Прижмите защитную крышку и зафиксируйте ее на соединителе.
- Проверьте крепление соединителя, потянув за кабель (рис. **11** D, стр. 6).

7.3 Правильное выполнение паяных соединений

При припаивании кабеля к оригинальным проводам соблюдайте следующий порядок действий:

- Снимите 10 мм изоляции с оригинального провода (рис. **12** А, стр. 6).
- Снимите 15 мм изоляции с присоединяемого кабеля (рис. **12** В, стр. 6).
- Намотайте присоединяемый кабель вокруг оригинального провода и спаяйте оба кабеля (рис. **12** С, стр. 6).
- Заизолируйте кабели изолентой (рис. **12** D, стр. 6).

Для соединения двух кабелей друг с другом соблюдайте следующий порядок действий:

- Снимите изоляцию с обоих кабелей (рис. **13** А, стр. 6).
- Наденьте термоусадочный кембрик длиной около 20 мм на один кабель (рис. **13** В, стр. 6).
- Скрутите оба кабеля друг с другом и спаяйте их (рис. **13** С, стр. 6).
- Сместите термоусадочный кембрик в точку спайки и слегка нагрейте его (рис. **13** D, стр. 6).

8 Монтаж камеры

8.1 Требуемый инструмент

Для **установки и монтажа** требуется следующий инструмент:

- Комплект сверл (рис. **1** 1, стр. 3)
- Дрель (рис. **1** 2, стр. 3)
- Отвертка (рис. **1** 3, стр. 3)
- Комплект накладных или рожковых гаечных ключей (рис. **1** 4, стр. 3)
- Линейка (рис. **1** 5, стр. 3)
- Молоток (рис. **1** 6, стр. 3)
- Кернер (рис. **1** 7, стр. 3)

Для **электрического подключения** и его проверки требуются следующие вспомогательные средства:

- Диодная контрольная лампа (рис. **1** 8, стр. 3) или вольтметр (рис. **1** 9, стр. 3)
- Изоляционная лента (рис. **1** 11, стр. 3)
- При известных обстоятельствах, проходные втулки

Для **крепления кабелей** могут потребоваться также дополнительные кабельные стяжки.

8.2 Монтаж камеры



ОСТОРОЖНО!

Выберите место монтажа камеры так и закрепите ее настолько надежно и безопасно, чтобы ни при каких обстоятельствах не могли получить травмы находящиеся вблизи люди, например, если задевшие крышу автомобиля ветки оборвут камеру.



УКАЗАНИЕ

Если вследствие установки камеры изменяется внесенная в документацию на автомобиль высота или длина автомобиля, то требуется повторная приемка компетентными органами (например, ГИБДД). Органы ГИБДД должны внести отметку от новой приемки в документацию на автомобиль.

При монтаже соблюдайте следующие указания:

- Установите камеру на подходящий угол обзора на высоте не менее двух метров.
При монтаже обеспечивайте достаточно устойчивое рабочее место.
- Следите за тем, чтобы место монтажа камеры было достаточно прочным (например, задевающие крышу автомобиля ветки могут запутаться в камере).
- Установите камеру горизонтально и по центру в задней части автомобиля (рис. **14**, стр. 7).
- Обязательно используйте входящую в объем поставки изолирующую подкладку (рис. **8** 5, стр. 5). Благодаря этому предотвращаются токи утечки вследствие плохих соединений на корпус в автомобиле. Следствиями токов утечки являются полосы в изображении и шум в громкоговорителе - вплоть до повреждений системы.
- Самый надежный метод крепления - это винты, проходящие через кузов. При этом соблюдайте следующие указания:
 - За выбранным положением монтажа должно иметься достаточно свободного места для монтажа.
 - Каждое отверстие должно быть подходящим образом защищено от попадания воды (например, путем установки винтов с герметиком и/или нанесения герметика на наружные крепежные элементы).
 - Кузов в месте крепления должен иметь достаточную прочность, чтобы можно было достаточно прочно закрепить держатель камеры.
- Предварительно проверьте, имеется ли достаточно свободного места для выхода сверла (рис. **2**, стр. 4).
- Если Вы не уверены в правильности выбора места монтажа, то обратитесь к изготовителю кузова или в его представительство.



УКАЗАНИЕ

Для уменьшения коррозии винтов смажьте резьбу консистентной смазкой.

При монтаже соблюдайте следующий порядок действий:

- Приложите держатель камеры к выбранному месту монтажа и разметьте не менее двух различных центров сверления (рис. **15**, стр. 7).
- Во избежание увода сверла предварительно накерните ранее размеченные центры, используя молоток и кернер.

Если Вы хотите привинтить камеру самонарезающими винтами (рис. 16, стр. 7)**ВНИМАНИЕ!**

Крепление самонарезающими винтами разрешается выполнять только в стальных листах толщиной не менее 1,5 мм.

- Просверлите в ранее размеченных точках по одному отверстию 4 мм.
- Зачистите все отверстия и смажьте их антикоррозионным средством.
- Приклейте двухстороннюю клейкую изолирующую подкладку (рис. 8 5, стр. 5) на монтажную сторону держателя.
Изолирующая прокладка служит также для уплотнения и защиты лакокрасочного покрытия.
- Привинтите держатель камеры самонарезающими винтами 5 x 20 мм.

Если Вы хотите закрепить камеру шурупами через кузов (рис. 17, стр. 7)**ВНИМАНИЕ!**

Убедитесь в том, что при затягивании гайки не продавливаются через кузов.

При необходимости, используйте большие подкладные шайбы или пластины.

- Просверлите в ранее размеченных точках по одному отверстию 5,5 мм.
- Зачистите все отверстия и смажьте их антикоррозионным средством.
- Приклейте двухстороннюю клейкую изолирующую подкладку (рис. 8 5, стр. 5) на монтажную сторону держателя.
Изолирующая прокладка служит также для уплотнения и защиты лакокрасочного покрытия.
- Привинтите держатель камеры шурупами М5 x 20 мм.
В зависимости от толщины кузова, могут потребоваться более длинные шурупы.

Выполнить отверстие для питающего кабеля камеры (рис. 18, стр. 8)**УКАЗАНИЕ**

Для ввода соединительных кабелей используйте, по возможности, имеющиеся сквозные отверстия, например, вентиляционные решетки. Если сквозные отверстия отсутствуют, необходимо просверлить отверстие 16 мм.

**ВНИМАНИЕ! Опасность повреждения!**

Предварительно проверьте, имеется ли достаточно свободного места для выхода сверла.

- Просверлите вблизи камеры отверстие 16 мм.
- Зачистите все отверстия в листе и смажьте их антикоррозионным средством.
- Во все отверстия с острыми краями установите проходные втулки.

Крепление камеры и защитного устройства**ВНИМАНИЕ!**

Не устанавливайте камеру без дополнительного защитного устройства. Для монтажа защитного устройства используйте только входящие в объем поставки винты М3 х 6 мм. Более длинные винты повреждают камеру.

- Наденьте защитное устройство (рис. 8 3, стр. 5) на камеру так,
 - крепежное отверстие защитного устройства (рис. 19, стр. 8) находилось над резьбой 3 мм камеры
 - чтобы оба других крепежных отверстия (рис. 19, стр. 8) находилось над резьбами 3 мм камеры.
- Закрепите защитное устройство двумя винтами М3 х 6 мм в крепежном отверстии (рис. 19, стр. 8).
- Вставьте камеру в держатель (рис. 20, стр. 8).

**ВНИМАНИЕ!**

Для монтажа камеры в держателе используйте только винты, входящие в объем поставки. Более длинные винты повреждают камеру.

- Закрепите камеру **неплотно** четырьмя винтами М3 х 8 мм в двух других крепежных отверстиях (рис. 20, стр. 8).
Теперь камера расположена по центру.

- ▶ Расположите камеру так, чтобы объектив образовывал угол около 20° относительно вертикальной оси автомобиля (рис. 21, стр. 8).

**УКАЗАНИЕ**

Четыре винта М3 x 8 мм затягивать только после того, как Вы вывели камеру (см. гл. «Проверка работы и регулировка камеры» на стр. 212).

Но для этого вначале может потребоваться установить монитор и присоединить его к бортовой электрической сети.

8.3 Подключение камеры

**УКАЗАНИЕ**

- Прокладывайте кабель камеры так, что при возможно необходимом демонтаже камеры было легко доступным штекерное соединение между камерой и удлинительным кабелем. Это значительно облегчает демонтаж.
- Для уменьшения коррозии добавьте немного консистентной смазки, например, смазки для полюсов аккумуляторных батарей, в один из штекеров.

- ▶ Введите кабель камеры внутрь автомобиля.
- ▶ Вставьте штекер кабеля камеры в гнездо удлинительного кабеля.
- ▶ Свинтите штекерное соединение для защиты от попадания воды. (рис. 10, стр. 5).

8.4 Подключение коммутационного блока 9102200078 (рис. 24, стр. 9)

Коммутационный блок полностью готов к монтажу.

- ▶ Закрепите коммутационный блок в подходящем месте.
- ▶ Присоедините коммутационный блок к электрической сети следующим образом:
 - Присоедините входы сигнала камеры на мониторе к разъемам «V1» и «V2».
 - Присоедините системный кабель камеры к разъему «TWIN».

Камера включается и выключается включением передачи заднего хода или кнопкой выбора камеры на мониторе.

8.5 Подключение коммутационного блока AMP100 (рис. 25, стр. 10)



УКАЗАНИЕ

Если Вы хотите использовать оба модуля камеры при движении передним ходом, то необходимо установить входящий в объем поставки перекидной переключатель (см. инструкцию по монтажу и эксплуатации AMP100).

Коммутационный блок (не входит в объем поставки) полностью готов к монтажу.

- ▶ Установите коммутационный блок, как описано в соответствующей инструкции по монтажу и эксплуатации.



УКАЗАНИЕ

Выход «2» коммутационного блока является вспомогательным выходом, например, для присоединения монитора иного изготовителя.

- ▶ Подключите коммутационный блок к электрической сети, как описано в соответствующей инструкции по монтажу и эксплуатации.

8.6 Проверка работы и регулировка камеры



УКАЗАНИЕ

Значения расстояния меток дальности (см. гл. «Оценка расстояний» на стр. 213) действительны только в том случае, если камера была установлена на высоте около 230 – 250 см.

После монтажа камеры проверьте действительную высоту ее расположения.

Если высота положения отличается от указанных значений, то определите действительные значения расстояния меток дальности.

- Проверьте работу камеру после того, как Вы присоединили ее к монитору.
- При необходимости, отрегулируйте камеру, основываясь на изображении на мониторе.
У нижнего края изображения мониторе должна отображаться задняя часть или бампер Вашего автомобиля. Центр бампера также должен находиться в центре изображения на мониторе (рис. **23**, стр. 9).
- Затяните четыре крепежных винта камеры.
- Наденьте боковые крышки и каждую из них закрепите их крепежным винтом (рис. **22**, стр. 8).

Настройки контрастности и яркости Вы выполняете на мониторе.

9 Использование камеры

9.1 Оценка расстояний

В режиме заднего хода камера создает три метки дальности, которые показываются на подключенном цветном мониторе в виде цветных линий (рис. 26, стр. 10).

Линии облегчают оценку расстояния от автомобиля до препятствия.

Если камера установлена на высоте около 230 – 250 см, то линии показывают следующие расстояния:

Цвет	Расстояние
зеленый (A)	ок. 3 м
желтый (B)	ок. 1 м
красный (C)	ок. 0,3 м

10 Уход и очистка камеры



ВНИМАНИЕ!

Не использовать для очистки острые или твердые инструменты, и. к. это может привести к повреждениям прибора.

► Периодически очищайте камеру мягкой, влажной тряпкой.

11 Гарантия

Действителен установленный законом срок гарантии. Если продукт неисправен, обратитесь в представительство изготовителя в Вашей стране (адреса см. на оборотной стороне инструкции) или в торговую организацию.

В целях проведения ремонта или гарантийного обслуживания Вы должны также послать следующее:

- неисправные компоненты,
- копию счета с датой покупки,
- причину рекламации или описание неисправности.

12 Утилизация

- По возможности, выкидывайте упаковочный материал в мусор, подлежащий вторичной переработке.



Если Вы окончательно выводите продукт из эксплуатации, то получите информацию в ближайшем центре по вторичной переработке или в торговой сети о соответствующих предписаниях по утилизации.

13 Технические данные

	PerfectView CAM44
Арт. №:	9600000043
Формирователь видеосигналов:	Дальний обзор: 1/4" цветной КМОП-сенсор, ок. 290000 пикселей, 648(Г) x 488(В) Ближний обзор: 1/3" КМОП-сенсор, 762(Г) x 504(В)
Телевизионный стандарт:	PAL
Чувствительность:	< 1 лк или 0,0 лк с ИК-светодиодом (ближний обзор)
Угол обзора:	Объектив дальнего обзора: ок. 50° Объектив ближнего обзора: ок. 140° по диагонали
Чувствительность микрофона:	ок. 56 дБ
Температура хранения:	от -30 °С до +85 °С
Рабочая температура:	от -30 °С до +70 °С
Рабочее напряжение:	12 – 16 В=
Потребляемая мощность:	макс. 4 Вт
Размеры, Ш x В x Г (с держателем):	114 x 74 x 62 мм
Вес:	ок. 360 г
Допуски:	

Przed instalacją i uruchomieniem urządzenia należy uważnie przeczytać niniejszą instrukcję. Instrukcję należy zachować. W razie przekazywania urządzenia należy ją udostępnić kolejnemu nabywcy.

Spis treści

1	Objaśnienia symboli	216
2	Zasady bezpieczeństwa i montażu	216
3	Zakres dostawy	219
4	Osprzęt	219
5	Użytkowanie zgodne z przeznaczeniem	219
6	Opis techniczny	220
7	Wskazówki dot. podłączenia elektrycznego.	221
8	Montaż kamery	224
9	Wykorzystanie kamery	231
10	Pielęgnacja i czyszczenie kamery	231
11	Gwarancja	231
12	Utylizacja	232
13	Dane techniczne	232

1 Objąśnienia symboli

**OSTRZEŻENIE!**

Wskazówka dot. bezpieczeństwa: Nieprzestrzeganie może prowadzić do śmierci lub ciężkich obrażeń ciała.

**OSTROŻNIE!**

Wskazówka dot. bezpieczeństwa: Nieprzestrzeganie może prowadzić do obrażeń ciała.

**UWAGA!**

Nieprzestrzeganie może prowadzić do powstania szkód materialnych i zakłóceń w działaniu produktu.

**WSKAZÓWKA**

Informacje uzupełniające dot. obsługi produktu.

2 Zasady bezpieczeństwa i montażu

Należy stosować się do zasad bezpieczeństwa i dokumentacji udostępnianych przez producenta i warsztaty serwisowe!

Producent nie odpowiada za szkody spowodowane:

- błędami powstałymi w trakcie montażu lub podłączania
- uszkodzeniem produktu w sposób mechaniczny lub spowodowany przeciążeniami elektrycznymi
- zmianami dokonanyymi w produkcie bez wyraźnej zgody producenta
- użytkowaniem w celach innych niż opisane w niniejszej instrukcji

Dlatego należy stosować się do następujących wskazówek:

- Ze względu na zagrożenie zwarcie przed wykonywaniem prac w elektronice pojazdu należy odłączyć biegun ujemny.
Biegun ujemny należy odłączyć również od dodatkowego akumulatora (jeśli istnieje).

- Niewłaściwe połączenia przewodów mogą sprawić, że na skutek zwarcia dojdzie do:
 - spalenia kabli,
 - aktywowania poduszki powietrznej,
 - uszkodzenia urządzeń sterowniczych,
 - awarii funkcji elektrycznych (kierunkowskazów migowych, światła hamowania, bucza, zapłonu, światła).
- Przy stosowaniu następujących przewodów należy używać tylko izolowanych końcówek kablowych, wtyczek i tulejek wtykowych płaskich:
 - 30 (wejście akumulatora od strony bieguna dodatniego, bezpośrednio),
 - 15 (przełączany biegun dodatni, za akumulatorem),
 - 31 (przewód powrotny od akumulatora, masa),
 - 58 (światła cofania).

Nie wolno używać łączników świecznikowych.

- Do łączenia przewodów należy używać obcęgow zaciskowych (rys. **1** 10, strona 3).
- Należy przymocować przewód śrubami przy przyłączach do przewodu 31 (masa)
 - za pomocą końcówki kablowej i podkładki zębatej do śruby masowej lub
 - za pomocą końcówki kablowej i wkrętu do blachy karoserii.

Zwrócić uwagę na prawidłowe przeniesienie masy!

Po odłączeniu bieguna ujemnego akumulatora następuje utrata wszystkich danych zapisanych w pamięci ulotnej.

- Wówczas konieczne jest ponowne ustawienie następujących danych (w zależności od wyposażenia pojazdu):
 - Kod radia
 - Zegar pojazdu
 - Zegar sterujący
 - Komputer pokładowy
 - Pozycja siedzenia

Wskazówki dot. ustawiania znajdują się w instrukcji obsługi.

Podczas montażu należy stosować się do następujących wskazówek:

- Części kamery do umieszczenia w pojeździe należy montować tak, aby w żadnych warunkach nie mogło dojść do ich poluzowania (ostre hamowanie, wypadek komunikacyjny), a w konsekwencji do **obrażeń ciała pasażerów**.

- Części umieszczane pod osłoną należy mocować tak, aby w przyszłości nie mogło dojść do ich poluzowania lub uszkodzenia innych części i przewodów oraz nieprawidłowego działania innych funkcji (układ kierowniczy, pedały itd.).
- Podczas wiercenia należy pamiętać o pozostawieniu wystarczającego miejsca na wylot wiertła. Pozwoli to uniknąć ewentualnych uszkodzeń (rys. **2**, strona 4).
- Wygładzić wywiercony otwór, a następnie zabezpieczyć środkiem antykorozyjnym.
- Zawsze stosować się do wskazówek bezpieczeństwa otrzymanych od producenta.
Niektóre prace (np. przy systemach zabezpieczających, takich jak zestaw poduszek powietrznych) mogą wykonywać jedynie odpowiednio przeszkoleni specjaliści.

Podczas pracy przy częściach elektrycznych należy stosować się do następujących wskazówek:

- Do sprawdzania napięcia w przewodach elektrycznych można używać tylko diodowej lampki kontrolnej (rys. **1** 8, strona 3) lub woltomierza (rys. **1** 9, strona 3).
Lampki kontrolne z żarnikiem (rys. **1** 12, strona 3) pobierają zbyt dużo prądu, co może spowodować uszkodzenie elektroniki pojazdu.
- Podczas układania przyłączy elektrycznych sprawdzić, czy
 - nie są one zgięte lub przekręcone,
 - nie ocierają się o krawędzie,
 - zostały zabezpieczone przed ostro zakończonymi przepustami (rys. **3**, strona 4).
- Należy wykonać izolację wszystkich połączeń i przyłączy.
- Kabel należy zabezpieczyć przed uszkodzeniami mechanicznymi za pomocą zapinki lub taśmy izolującej, np. na istniejących przewodach.

Kamera jest wodoodporna. Jej uszczelki nie są jednak odporne na działanie czyszczących urządzeń wysokociśnieniowych (rys. **4**, strona 4). Dlatego podczas korzystania z kamery należy stosować się do następujących wskazówek:

- Nie wolno otwierać urządzenia, ponieważ otwieranie może wpłynąć negatywnie na jej szczelność i sprawność działania (rys. **5**, strona 4).
- Nie należy pociągać za przewody, ponieważ może to wpłynąć negatywnie na szczelność i sprawność urządzenia (rys. **6**, strona 4).
- Kamera nie nadaje się do zastosowania pod wodą (rys. **7**, strona 4).

3 Zakres dostawy

Nr na rys. 8, strona 5	Ilość	Nazwa	Nr produktu
1	1	Kamera z pokrywą ochronną sterowaną za pomocą silnika	
2	2	Pokrycie	
3	1	Ośłona kamery	
4	1	Uchwyt kamery	
5	1	Podkładka izolacyjna	
6	1	Zestaw adapterów CAM44	9102200078
7	1	Przewód przedłużający	9102200030
-	1	Materiał mocujący	

4 Osprzęt

Elementy dostępne jako osprzęt (nieobjęte zakresem dostawy):

Nazwa	Nr produktu
Skrzynka rozdzielcza AMP100	9600000210

5 Użytkowanie zgodne z przeznaczeniem

Kamera CAM44 (nr produktu 9600000043) jest przeznaczona przede wszystkim do zastosowania w pojazdach. Znajduje ona zastosowanie w systemach wideo służących do obserwowania obszaru z tyłu pojazdu podczas jazdy wstecznej z pozycji siedzenia kierowcy np. podczas manewrowania lub parkowania.



OSTRZEŻENIE!

Systemy wideo ułatwiające cofanie zapewniają pomoc podczas jazdy wstecz, jednakże **nie zwalniają kierowcy z obowiązku zachowania szczególnej ostrożności w trakcie wykonywania tego manewru.**

6 Opis techniczny

Kolorowa kamera ze zintegrowanym mikrofonem jest umieszczona w aluminiowej obudowie i przesyła obraz oraz dźwięk za pomocą przewodu do monitora. Jest wyposażona w obiektyw dalekiego i bliskiego zasięgu. Podczerwone diody LED zapewniają lepszą widoczność w nocy.

Obiektyw dalekiego zasięgu pokazuje przestrzeń z tyłu pojazdu w taki sposób, w jaki jest ona widoczna przez tylną szybę pojazdu. Można go włączyć wówczas, gdy nie jest wykonywany manewr cofania.

Obiektyw bliskiego zasięgu (kamera cofania) jest obiektywem szerokokątny, który pokazuje obszar znajdujący się bezpośrednio za pojazdem. Jest on uruchamiany przy włączeniu biegu wstecznego.

Kamera w trybie jazdy wstecznej generuje trzy oznaczenia odstępów, które na podłączonym kolorowym monitorze są wyświetlane w postaci kolorowych linii.

Kamera CAM44 jest wyposażona w sterowaną za pomocą silnika pokrywę ochronną, która chroni urządzenie przed zabrudzeniem.



WSKAZÓWKA

Kamery w ustawieniach fabrycznych mają funkcję prezentacji obrazu w odbiciu lustrzanym. Podłączony monitor musi z tego względu pracować w funkcji zwykłego obrazu.

Kamera składa się z następujących elementów:

Nr na rys. 9, strona 5	Nazwa
1	6-biegunowy przewód przyłączeniowy
2	Obiektyw dalekiego zasięgu
3	Podczerwone diody LED
4	Obiektyw bliskiego zasięgu (kamera cofania)
5	Mikrofon

7 Wskazówki dot. podłączenia elektrycznego

7.1 Układanie przewodów



UWAGA! Niebezpieczeństwo uszkodzenia!

- Przed rozpoczęciem wiercenia należy sprawdzić, czy jest wystarczająco dużo miejsca na wylot wiertła.
- Nieprawidłowe ułożenie i połączenie kabli prowadzi do wadliwego działania lub uszkodzenia części. Prawidłowe ułożenie lub połączenie kabli stanowi warunek trwałego i niezakłóconego funkcjonowania montowanych dodatkowo elementów wyposażenia.
- Przewody nie mogą mieć przez dłuższy czas kontaktu z rozpuszczalnikami (np. z benzyną) ze względu na ryzyko uszkodzenia.

Dlatego należy stosować się do następujących wskazówek:

- Do przeciągnięcia kabli przyłączeniowych należy użyć w miarę możliwości oryginalnych przepustów lub innych przejść, jak np. krawędzie osłony, kratka wentylacyjna lub ślepy włącznik. W przypadku braku przepustów należy wywiercić na przewody odpowiednie otwory. Przedtem konieczne jest sprawdzenie, czy jest wystarczająco dużo miejsca na wylot wiertła.
- W miarę możliwości przewody należy kłaść zawsze we wnętrzu pojazdu, ponieważ tam są lepiej zabezpieczone niż na zewnątrz, przy pojeździe. Jeśli jednak mimo to przewody będą kładzione na zewnątrz pojazdu, należy pamiętać o ich odpowiednim zamocowaniu (należy zastosować dodatkowe zapinki, taśmy izolujące itd.).
- Aby uniknąć uszkodzeń przewodów podczas ich układania, należy zachować wystarczającą odległość od gorących i ruchomych części pojazdu (rur wydechowych, wałków napędowych, alternatora, wentylatorów, ogrzewania, itd.) W celu zapewnienia ochrony mechanicznej należy zastosować rurę osłonową lub podobne materiały zabezpieczające.
- Należy przymocować połączenia wtykowe kabla łączącego za pomocą śrub w celu ochrony przed wnikaniem wody (rys. **10**, strona 5).
- Podczas układania kabli sprawdzić, czy
 - nie są one mocno zgięte lub skręcone,
 - nie ocierają się o krawędzie,
 - zostały zabezpieczone przed ostro zakończonymi przepustami (rys. **3**, strona 4).

- Przewody w pojeździe należy przymocować tak, aby nie doszło do ich zaplątania (obsunięcia). Można użyć do tego zapinek, taśmy izolującej lub kleju.
- Każde wycięcie w powłoce zewnętrznej należy odpowiednio zabezpieczyć przed wodą, np. poprzez włożenie przewodu z masą uszczelniającą i spryskanie go oraz tulejki przepustowej tą masą.



WSKAZÓWKA

Do uszczelnienia wycięcia można przystąpić dopiero po przeprowadzeniu wszystkich prac nastawczych przy kamerze oraz w przypadku, gdy ustalone są wymagane długości przewodów przyłączeniowych.

7.2 Zastosowanie rozgałęźnika

Aby uniknąć chwiejnych styków przy rozgałęźnikach, należy zagwarantować, aby średnice kabli odpowiadały rozgałęźnikom.

Przy zastosowaniu rozgałęźników należy postępować w następujący sposób:

- ▶ Kabel, który powinien zostać podłączony, należy umieścić w przednim korytku rozgałęźnika (rys. **11** A, strona 6).
- ▶ Koniec nowego kabla należy umieścić na długości ok. 3/4 w tylnym korytku (rys. **11** B, strona 6).
- ▶ Następnie należy zamknąć łącznik i wcisnąć za pomocą szczypców uniwersalnych płaskich metalową osłonkę do łącznika, aby zapewnić zasilanie prądem elektrycznym (rys. **11** C, strona 6).
- ▶ Pokrywą ochronną należy przycisnąć aż do zatrzaśnięcia na łączniku.
- ▶ Mocowanie połączenia rozgałęźnika należy sprawdzić poprzez pociągnięcie kabla (rys. **11** D, strona 6).

7.3 Wykonanie prawidłowych połączeń lutowanych

Aby przylutować kabel do oryginalnych przewodów, należy postępować w następujący sposób:

- ▶ Z oryginalnego przewodu na długości 10 mm należy usunąć izolację (rys. **12** A, strona 6).
- ▶ Z kabla, który ma zostać podłączony, należy usunąć izolację na długości 15 mm (rys. **12** A, strona 6).
- ▶ Kabel, który ma zostać podłączony, należy owinąć wokół oryginalnego przewodu i zlutować oba kable (rys. **12** C, strona 6).
- ▶ Kabel należy zaizolować za pomocą taśmy izolacyjnej (rys. **12** D, strona 6).

Aby połączyć dwa kable, należy postępować w następujący sposób:

- ▶ Należy usunąć izolację w obu kablach (rys. **13** A, strona 6).
- ▶ Na kabel należy naciągnąć kurczliwy wąż o długości ok. 20 mm (rys. **13** B, strona 6).
- ▶ Oba kable należy skręcić i zlutować (rys. **13** C, strona 6).
- ▶ Kurczliwy wąż należy nasunąć na miejsce lutowania i lekko go podgrzać (rys. **13** D, strona 6).

8 Montaż kamery

8.1 Montaż kamery

Do **instalacji i montażu** potrzebne są następujące narzędzia:

- Zestaw wiertel (rys. **1** 1, strona 3)
- Wiertarka (rys. **1** 2, strona 3)
- Śrubokręty (rys. **1** 3, strona 3)
- Zestaw kluczy oczkowych lub szczękowych (rys. **1** 4, strona 3)
- Przymiar (rys. **1** 5, strona 3)
- Młotek (rys. **1** 6, strona 3)
- Punktak (rys. **1** 7, strona 3)

Do **podłączenia elektrycznego** i jego sprawdzenia potrzebne są następujące środki pomocnicze:

- Lampka kontrolna diodowa (rys. **1** 8, strona 3) lub woltomierz (rys. **1** 9, strona 3)
- Taśma izolacyjna (rys. **1** 11, strona 3)
- Ew. tulejki przepustowe do kabli

Do **przymocowania przewodów** mogą być jeszcze potrzebne dodatkowe zapinki.

8.2 Montaż kamery



OSTROŻNIE!

Wybierając miejsce do montażu i mocując kamerę, należy zapewnić bezpieczeństwo osób, które mogą znaleźć się w jej pobliżu. Ewentualne zagrożenie może zostać spowodowane np. oderwaniem kamery przez gałęzie znajdujące się nad dachem pojazdu.



WSKAZÓWKA

Jeśli zamontowanie kamery powoduje zmianę wysokości i długości pojazdu umieszczonej w dokumentach pojazdu, konieczny jest ponowny odbiór przez uprawnioną jednostkę certyfikującą (TÜV, DEKRA itd.).

Fakt dokonania ponownego odbioru należy zgłosić do wpisania przez urząd ruchu drogowego do dokumentów pojazdu.

Podczas montażu należy stosować się do następujących wskazówek:

- Aby uzyskać odpowiedni kąt widzenia, kamerę należy umieścić na wysokości co najmniej dwóch metrów.
Podczas montażu należy zapewnić sobie wystarczająco dużo miejsca do stania.
- Należy zwrócić uwagę na to, czy miejsce montażu cechuje się wystarczającą wytrzymałością (czy np. w kamerę nie mogą się wplątać gałęzie znajdujące się na dachem pojazdu).
- Kamerę należy zamontować poziomo, na środku tyłu pojazdu (rys. **14**, strona 7).
- Należy koniecznie użyć dostarczonej wraz z urządzeniem podkładki izolującej (rys. **8** 5, strona 5). Dzięki temu uniknie się prądów uszkodzeniowych spowodowanych błędnym połączeniem masy. Smugi na obrazie bądź zakłócenia dźwięku w głośniku aż do możliwości powstania uszkodzeń są skutkiem prądów uszkodzeniowych.
- Najlepszym sposobem zamocowania jest użycie śrub przechodzących przez ściankę nadwozia. Należy stosować się do następujących wskazówek:
 - Za wybraną pozycją montażową musi być wystarczająco dużo miejsca dla montażu.
 - Każde wycięcie w warstwie zewnętrznej należy odpowiednio zabezpieczyć przed wodą (np. poprzez umieszczenie w nim śrub z masą uszczelniającą i/lub spryskanie zewnętrznych części mocujących tą masą).
 - Nadwozie w miejscu mocowania musi być odpowiednio wytrzymałe – tak, aby można było dostatecznie mocno dociągnąć uchwyt kamery.
- Przedtem należy sprawdzić, czy jest odpowiednio dużo miejsca na wyjście wiertła (rys. **2**, strona 4).

- W przypadku wątpliwości co do wyboru miejsca montażu należy skontaktować się z producentem nadwozia lub jego przedstawicielem.

**WSKAZÓWKA**

Aby zminimalizować ryzyko korozji śrub, należy nasmarować gwinty.

Podczas montażu należy postępować w następujący sposób:

- ▶ Należy przytrzymać uchwyt kamery w wybranym miejscu montażu, a następnie zaznaczyć co najmniej dwa punkty nawiercania (rys. 15, strona 7).
- ▶ Należy wykonać punktowanie w uprzednio zarysowanych miejscach za pomocą młotka lub punktaka; pozwoli to uniknąć umieszczenia wiertła w nieprawidłowym miejscu.

Mocowanie kamery za pomocą wkrętów do blachy (rys. 16, strona 7)**UWAGA!**

Mocowanie za pomocą wkrętów można przeprowadzać tylko w blachach stalowych o minimalnej grubości wynoszącej 1,5 mm.

- ▶ W uprzednio zaznaczonych punktach wywiercać otwory o średnicy 4 mm.
- ▶ Wszystkie otwory wiercone należy wygładzić i zabezpieczyć preparatem antykorozyjnym.
- ▶ Należy przykleić dwustronnie klejącą podkładkę izolacyjną (rys. 8 5, strona 5) na stronie montażu uchwyty. Płyta izolacyjna służy także jako uszczelnienie oraz ochrona lakieru.
- ▶ Należy przykręcić uchwyt kamery za pomocą wkrętów do blachy o wymiarze 5 x 20 mm.

Przymocowanie kamery za pomocą śrub gwintowanych do nadwozia (rys. 17, strona 7)



UWAGA!

Uważać, aby podczas dociągania nakrętki nie precyzyjnie się przez ściankę nadwozia.

Użyć w razie potrzeby większych podkładek lub płytek blaszanych.

- W uprzednio zaznaczonych punktach należy wywiercić otwory o średnicy 5,5 mm.
- Wszystkie otwory wiercone należy wygładzić i zabezpieczyć preparatem antykorozyjnym.
- Należy przykleić dwustronnie klejącą podkładkę izolacyjną (rys. 8 5, strona 5) na stronie montażu uchwytu.
Płyta izolacyjna służy także jako uszczelnienie oraz ochrona lakieru.
- Uchwyt kamery należy przykręcić za pomocą śrub gwintowanych o wymiarze M5 x 20 mm.
W zależności od wytrzymałości nadwozia potrzebne są dłuższe lub krótsze śruby gwintowane.

Wykonanie wycięcia na przewód przyłączeniowy kamery (rys. 18, strona 8)



WSKAZÓWKA

Do przecięgnięcia kabli przyłączeniowych należy użyć w miarę możliwości istniejących przepustów, jak np. kratka wentylacyjna. Jeśli nie istnieją żadne przepusty, należy wywiercić otwór o średnicy 16 mm.



UWAGA! Niebezpieczeństwo uszkodzenia!

Konieczne jest sprawdzenie, czy istnieje odpowiednio dużo miejsca na wylot wiertła.

- Należy wywiercić w pobliżu kamery otwór o średnicy 16 mm.
- Wszystkie otwory wiercone w blasze należy wygładzić i zabezpieczyć preparatem antykorozyjnym.
- Wszystkie ostro zakończone przepusty należy zabezpieczyć tulejką przepustową.

Mocowanie kamery i osłony kamery



UWAGA!

Nie gdy nie należy montować kamery bez dodatkowej osłony. Do montażu osłony kamery należy użyć jedynie dostarczonych wraz z urządzeniem śrub M3 x 6 mm. Dłuższe śruby spowodują jej uszkodzenie.

- ▶ Osłonę kamery (rys. **8** 3, strona 5) należy nasunąć nad kamerę.
 - w taki sposób, aby nawiercone otwory mocowania osłony kamery (rys. **19**, strona 8) znajdowały się powyżej 3-mm gwintu kamery,
 - w taki sposób, aby oba nawiercone otwory mocowania osłony kamery (rys. **19**, strona 8) znajdowały się powyżej 3-mm gwintu kamery.
- ▶ Osłony boczne należy zamocować za pomocą obu śrub M3 x 6 mm, wkręcając je w środkowe otwory gwintowane (rys. **19**, strona 8).
- ▶ Należy wsunąć kamerę w uchwyt (rys. **20**, strona 8).



UWAGA!

Do montażu kamery w uchwycie należy używać tylko dołączonych śrub. Dłuższe śruby spowodują jej uszkodzenie.

- ▶ Należy umocować kamerę **luźno** za pomocą czterech śrub M3 x 8 mm w obu otworach do mocowania (rys. **20**, strona 8).
Kamera jest teraz wyśrodkowana.
- ▶ Należy ustawić kamerę tak, aby obiektyw tworzył z pionową osią pojazdu kąt ok. 20° (rys. **21**, strona 8).



WSKAZÓWKA

Cztery śruby M3 x 8 mm należy dociągnąć dopiero wówczas, gdy kamera zostanie odpowiednio ustawiona (zob. rozdz. „Kontrola działania i ustawienie kamery” na stronie 230).

W tym celu należy jednak najpierw zamontować monitor i podłączyć do zasilania elektrycznego.

8.3 Podłączenie kamery



WSKAZÓWKA

- Przewód kamery należy położyć tak, aby w razie zaistnienia konieczności demontażu można było w łatwy sposób uzyskać dostęp do połączenia wtyczkowego pomiędzy kamerą a przewodem przedłużającym. Ułatwi to w znacznym stopniu demontaż.
- Aby zminimalizować ryzyko korozji wtyczki, należy posmarować jej środek, na przykład smarem biegunowym.

- Wprowadzić przewód kamery do wnętrza pojazdu.
- Należy włożyć wtyczkę przewodu kamery do gniazda wtykowego przewodu przedłużającego.
- Połączenie wtykowe należy przymocować za pomocą śrub w celu ochrony przed wnikaniem wody (rys. **10**, strona 5).

8.4 Podłączenie skrzynki rozdzielczej 9102200078 (rys. **24**, strona 9)

Skrzynka rozdzielcza jest dostarczana w stanie gotowym do montażu.

- Należy przymocować ją w odpowiednim miejscu.
- Skrzynkę rozdzielczą można podłączyć do prądu w następujący sposób:
 - Należy podłączyć wejścia kamery monitora do przyłączy „V1” i „V2”.
 - Kabel systemowy kamery należy podłączyć do przyłącza „TWIN”.

Kamera jest włączana bądź wyłączana poprzez włączenie biegu wstecznego lub za pomocą przycisku wyboru kamery na monitorze.

8.5 Podłączenie skrzynki rozdzielczej AMP100 (rys. 25, strona 10)



WSKAZÓWKA

Jeśli podczas jazdy w przód miałyby być użyte oba moduły kamery, należy zamontować dostarczone wraz z urządzeniem łączniki przechylne (zob. Instrukcja montażu i obsługi dla AMP100).

Skrzynka rozdzielcza (nieobjęta zakresem dostawy) jest gotowa do montażu.

- Skrzynkę rozdzielczą należy zamontować w sposób opisany w dostarczonej wraz z nią Instrukcji montażu i obsługi.



WSKAZÓWKA

Wyjście „2” skrzynki rozdzielczej jest wyjściem pomocniczym, służącym na przykład do podłączenia zewnętrznego monitora.

- Skrzynkę rozdzielczą należy podłączyć do zasilania w sposób opisany w dostarczonej wraz z nią Instrukcji montażu i obsługi.

8.6 Kontrola działania i ustawienie kamery



WSKAZÓWKA

Wartości odległości między oznaczeniami odstępów (zob. rozdz. „Szacowanie odległości” na stronie 231) są prawidłowe jedynie wówczas, gdy kamera została zamontowana na wysokości ok. 230 – 250 cm.

Po zainstalowaniu kamery należy sprawdzić rzeczywistą wysokość montażu.

Jeśli wysokość montażu odbiega od tych wartości, wówczas należy ustalić rzeczywiste wartości odległości dla oznaczeń odstępów.

- Po podłączeniu monitora należy sprawdzić działanie kamery.
- Kamerę w razie potrzeby można ustawić na podstawie obrazu na monitorze: Na monitorze, w dolnej krawędzi obrazu, powinien być widoczny tył lub zderzak pojazdu. Środek zderzaka powinien być jednocześnie środkiem obrazu (rys. 23, strona 9).
- Należy dociągnąć cztery śruby mocujące kamery.
- Następnie należy nałożyć boczne pokrycia i zabezpieczyć każde z nich za pomocą śruby mocującej (rys. 22, strona 8).

Na monitorze należy ustawić kontrast oraz jasność.

9 Wykorzystanie kamery

9.1 Szacowanie odległości

Kamera w trybie jazdy wstecznej generuje trzy oznaczenia odstępów, które na podłączonym kolorowym monitorze są wyświetlane w postaci kolorowych linii (rys. 26, strona 10).

Linie te ułatwiają oszacowanie odległości pojazdu od przeszkody.

Jeśli kamera została zamontowana na wysokości ok. 230 – 250 cm, wówczas linie pokazują następujące odległości:

Kolor	Odległość
zielony (A)	około 3 m
żółty (B)	około 1 m
czerwony (C)	około 0,3 m

10 Pielęgnacja i czyszczenie kamery



UWAGA!

Do czyszczenia nie wolno używać ostrych i twardych środków; mogą one uszkodzić urządzenie.

- ▶ Od czasu do czasu należy czyścić kamerę wilgotną ściereczką.

11 Gwarancja

Warunki gwarancji zostały opisane w Karcie Gwarancyjnej dołączonej do produktu.

W celu naprawy lub rozpatrzenia gwarancji konieczne jest przesłanie:

- uszkodzonych komponentów,
- kopii rachunku z datą zakupu,
- informacji o przyczynie reklamacji lub opisu wady.


12 Utylizacja

- Opakowanie należy wyrzucić do odpowiedniego pojemnika na śmieci do recyklingu.



Jeżeli produkt nie będzie dłużej eksploatowany, koniecznie dowiedz się w najbliższym zakładzie recyklingu lub w specjalistycznym sklepie, jakie są aktualnie obowiązujące przepisy dotyczące utylizacji.

13 Dane techniczne

	PerfectView CAM44
Nr produktu:	9600000043
Czujnik obrazu:	Daleki zasięg: 1/4" kolorowy czujnik CMOS ok. 290000 pikseli, 648(H) x 488(V) Bliski zasięg: 1/3" CMOS, 762(H) x 504(V)
System TV:	PAL
Czułość:	< 1 luksa lub 0,0 luksa z diodą IR LED (bliski zasięg)
Kąt widzenia:	Obiektyw dalekiego zasięgu: ok. 50° Obiektyw bliskiego zasięgu: ok. 140° po przekątnej
Czułość mikrofonu:	ok. 56 dB
Temperatura przechowywania:	-30 °C do +85 °C
Temperatura robocza:	-30 °C do +70 °C
Napięcie robocze:	12 – 16 V $\overline{=}$
Zużycie:	maks. 4 W
Wymiary szer. x wys. x gł. (z uchwytem):	114 x 74 x 62 mm
Waga:	ok. 360 g
Atesty:	

Pred montážou a uvedením do prevádzky si prosím pozorne prečítajte tento návod a odložte si ho. V prípade odovzdania výrobku ďalšiemu používateľovi mu odovzdajte aj tento návod.

Obsah

1	Vysvetlenie symbolov	234
2	Pokyny týkajúce sa bezpečnosti a montáže	234
3	Obsah dodávky	237
4	Príslušenstvo	237
5	Používanie v súlade s určeným účelom použitia	237
6	Technický popis	238
7	Upozornenia a pokyny týkajúce sa elektrického zapojenia.	239
8	Montáž kamery	241
9	Používanie kamery	247
10	Ošetrovanie a čistenie kamery	247
11	Záruka	247
12	Likvidácia	248
13	Technické údaje	248

1 Vysvetlenie symbolov

**VÝSTRAHA!**

Bezpečnostný pokyn: Nerešpektovanie môže viesť k smrti alebo k ťažkému zraneniu.

**UPOZORNENIE!**

Bezpečnostný pokyn: Nerešpektovanie môže viesť k zraneniam.

**POZOR!**

Nerešpektovanie môže viesť k materiálnym škodám a môže ovplyvniť funkciu zariadenia.

**POZNÁMKA**

Doplňujúce informácie k obsluhu výrobku.

2 Pokyny týkajúce sa bezpečnosti a montáže

Dodržiavajte bezpečnostné pokyny a podmienky predpísané výrobcom vozidla a združením automobilového priemyslu!

Výrobca v nasledujúcich prípadoch nepreberá za škody žiadnu záruku:

- Chyby montáže alebo pripojenia
- Poškodenia produktu mechanickými vplyvmi a prepätiami
- Zmeny produktu bez vyjadreného povolenia výrobcu
- Použitie na iné účely ako sú účely uvedené v návode

Rešpektujte preto nasledovné upozornenia:

- Pred začatím prác na elektrickom zariadení vozidla vždy najprv odpojte záporný pól, aby sa vylúčilo nebezpečenstvo skratu.
Ak má vozidlo prídavnú batériu, aj na nej musíte odpojiť záporný pól.

- Nedostatočné spojenia vodičov môžu mať za následok, že na základe skratu
 - vznikne požiar z káblov,
 - aktivuje sa airbag,
 - poškodia sa riadiace zariadenia,
 - vypadnú elektrické funkcie (smerové svetlá, brzdové svetlo, klaksón, zapalovanie, svetlá).
- Pri prácach na nasledovných vedeniach používajte len izolované káblové koncovky, konektory a ploché dutinky na konektor:
 - 30 (vstup z batérie, kladné napätie, priamo),
 - 15 (zopnuté kladné napätie, za batériou),
 - 31 (spätný vodič od batérie, kostra),
 - 58 (spätné svetlomety).

Nepoužívajte svietidlové spojky.

- Na spojenie káblov použite krimpovacie kliešte (obr. **1** 10, strane 3).
 - Priskrutkujte kábel pri zapojeniach na vodič 31 (kostra)
 - spolu s káblovou koncovkou a ozubenou podložkou na ukostrovaciu skrutku vozidla alebo
 - spolu s káblovou koncovkou a skrutkou na plech na plech karosérie.
- Dbajte na to, aby bol prenos na kostru dostatočný!

Pri odpojení záporného pólu batérie stratia všetky prechodné pamäte komfortnej elektroniky svoje uložené údaje.

- V závislosti od vyhotovenia vozidla je potrebné znova nastaviť nasledovné údaje:
 - Kód rádia
 - Hodiny vozidla
 - Spínacie hodiny
 - Palubný počítač
 - Poloha sedadiel

Pokyny na nastavenie nájdete v príslušnom návode na používanie.

Pri montáži dodržiavajte nasledovné pokyny:

- Upevnite časti kamery namontované vo vozidle tak, aby sa za žiadnych okolností (prudké zabrzdzenie, dopravná nehoda) neuvolnili a nemohli spôsobiť **poranenia posádky vozidla**.
- Upevnite časti systému tak, že ich skryjete pod obloženie, a to tak, aby sa neuvolnili alebo nepoškodili iné časti alebo iné vedenia a aby sa nepriaznivo neovplyvnili funkcie vozidla (riadenie, pedále atď.).
- Pri vŕtaní dajte pozor, aby mal vrták na výstupe dostatok priestoru, aby sa predišlo poškodeniam (obr. **2**, strane 4).

- Odstráňte výronky z každého vyvrtaného otvoru a ošetríte ich antikoróznym prostriedkom.
- Vždy dodržiavajte bezpečnostné upozornenia výrobcu vozidla. Niektoré práce (napr. na zadržiavacích systémoch ako AIRBAG atď.) smie vykonávať len vyškolený odborný personál.

Pri práci na elektrických častiach dodržiavajte nasledovné pokyny:

- Na kontrolu napätia v elektrických vedeniach používajte len diódovú skúšobnú lampu (obr. **1** 8, strane 3) alebo voltmeter (obr. **1** 9, strane 3). Skúšobnú lampu s osvetľovacím telesom (obr. **1** 12, strane 3) zachyťte príliš vysoký prúd, ktorým by sa mohla poškodiť elektronika vozidla.
- Pri uložení elektrických prípojok dávajte pozor,
 - aby neboli silno stlačené alebo prekrútené,
 - aby sa neodierali o hrany,
 - aby bez ochrany nevedli cez ostré prechody (obr. **3**, strane 4).
- Zaizolujte všetky spojenia a prípojky.
- Zaistite káble proti mechanickému namáhaniu pomocou viazačov káblov alebo izolačnej pásky, napr. k existujúcim vedeniam.

Kamera je vodotesná. Tesnenia kamery však neodolajú tlaku vysokotlakového čističa (obr. **4**, strane 4). Pri manipulácii s kamerou dodržiavajte nasledovné upozornenia:

- Neotvárajte kameru, pretože by to mohlo nepriaznivo ovplyvniť jej tesnosť a funkčnosť (obr. **5**, strane 4).
- Neťahajte kábel, pretože to môže nepriaznivo ovplyvniť tesnosť a funkčnosť kamery (obr. **6**, strane 4).
- Kamera nie je vhodná na prevádzku pod vodou (obr. **7**, strane 4).

3 Obsah dodávky

Č. obr. 8, strane 5	Množstvo	Označenie	Č. výrobku
1	1	Kamera s ochrannou klapkou poháňanou motorom	
2	2	Kryt	
3	1	Ochrana kamery	
4	1	Držiak kamery	
5	1	Izolačný podklad	
6	1	Adaptérový box CAM44	9102200078
7	1	Predlžovací kábel	9102200030
-	1	Upevňovací materiál	

4 Príslušenstvo

Dostupné ako príslušenstvo (nie je súčasťou dodávky):

Označenie	Č. výrobku
Spínací box AMP100	9600000210

5 Používanie v súlade s určeným účelom použitia

Kamera CAM44 (č. výrobku 9600000043) je určená prednostne na používanie vo vozidlách. Dá sa použiť v cúvacích videosystémoch, ktoré slúžia na pozorovanie priestoru priamo za vozidlom zo sedadla vodiča, napr. pri posunovaní alebo parkovaní.



VÝSTRAHA!

Cúvacie videosystémy predstavujú pomoc pri cúvaní, avšak **nezbavujú** vodičov **mimoriadnej opatrnosti pri cúvaní**.

6 Technický popis

Kamera s integrovaným mikrofónom je umiestnená v hliníkovom kryte a káblom prenáša obraz a zvuk na monitor. Má objektív na videnie do diaľky a blízka. Infračervené LED zlepšujú viditeľnosť za tmy.

Objektív na videnie do diaľky zobrazuje priestor priamo za vozidlom, ako by ste ho videli zo zadného okna. Môžete ho zapnúť, keď necúvate.

Objektív na videnie do blízka (cúvacia kamera) je širokouhlý objektív, ktorý zobrazuje priestor priamo za vozidlom. Zapína sa zaradením spätného chodu.

Pri zaradení spätného chodu kamera vytvára tri vzdialenosťné značky, ktoré sa na pripojenom farebnom monitore zobrazia ako tri farebné čiary.

Kamera CAM44 je vybavená ochrannou klapkou poháňanou motorom slúžiacou proti znečisteniu.



POZNÁMKA

Kamery sú výrobne vybavené zrkadlovým zobrazením. Pripojený monitor teda musí pracovať s funkciou normálneho obrazu.

Kamera pozostáva z nasledovných prvkov:

Č. na obr. 9, strane 5	Označenie
1	6-pólový prípojný kábel
2	Objektív na videnie do diaľky
3	Infračervené LED
4	Objektív na videnie do blízka (cúvacia kamera)
5	Mikrofón

7 Upozornenia a pokyny týkajúce sa elektrického zapojenia

7.1 Uloženie káblov



POZOR! Nebezpečenstvo poškodenia!

- Pred vrtaním otvorov skontrolujte, či je dostatok voľného priestoru pre výstup vrtáka.
- Neodborné uloženie kábla a káblových spojení vedie k chybnnej činnosti alebo poškodeniu konštrukčných dielcov. Správne uloženie kábla, príp. káblových spojení je základným predpokladom trvalej a bezchybnej činnosti dodatočne namontovaných komponentov.
- Káble nesmú prichádzať dlhší čas do styku s rozpúšťadlami, pretože tie by mohli káble poškodiť.

Rešpektujte preto nasledovné upozornenia:

- Na prechod prípojného kábla použite podľa možností originálne priechodky alebo iné možnosti prechodu napr. obloženie hrán, ventilačné mriežky alebo slepé spínače. Ak nie sú k dispozícii žiadne prechody, musia sa pre káble vyvrtáť vhodné otvory. Najprv zistite, či je dostatok voľného priestoru pre výstup vrtáka.
- Uložte káble podľa možnosti vždy vnútri vozidla, pretože tam budú lepšie chránené ako vonku na vozidle. Ak aj napriek tomu uložíte káble mimo vozidla, dbajte na ich bezpečné upevnenie (prídavným viazačom káblov, izolačnou páskou atď.).
- Aby sa predišlo poškodeniu káblov, dodržiavajte pri uložení kábla dostatočný odstup od horúcich a pohyblivých častí vozidla (výfukové vedenie, hnacie hriadele, alternátor, ventilátor, kúrenie atď.). Na mechanickú ochranu použite vlnitú rúrkú alebo podobné ochranné materiály.
- Zaskrutkujte zástrčkové spoje spájacích káblov na ochranu proti vniknutiu vody (obr. **10**, strane 5).
- Pri uložení káblov dávajte pozor,
 - aby neboli silno stlačené alebo prekrútené,
 - aby sa neodierali o hrany,
 - aby bez ochrany nevedli cez ostré prechody (obr. **3**, strane 4).
- Upevnite káble bezpečne vo vozidle, aby ste predišli zamotaniu (nebezpečenstvo pádu). Možno tak urobiť použitím viazačov káblov, izolačnej pásky alebo prílepením lepidlom.

- Každý vytvorený otvor chráňte zvonku vhodnými opatreniami pred vniknutím vody, napr. použitím kábla s tesnivom a zastriekaním kábla a priechodky tesnivom.



POZNÁMKA

S utesňovaním vytvorených otvorov začnite až po ukončení všetkých prác na kamere a po určení potrebnej dĺžky káblov.

7.2 Použitie spojky s odbočkou

Aby sa pri spojeniach pomocou odbočky predišlo poškodeniu kontaktov, dbajte na to, aby priemery káblov boli vhodné pre spojky s odbočkou.

Pri použití spojky s odbočkou postupujte nasledovne:

- Vložte kábel, ktorý má byť napájaný, do prednej drážky spojky s odbočkou (obr. **11** A, strane 6).
- Vložte nový kábel koncom cca z 3/4 do zadnej drážky (obr. **11** B, strane 6).
- Zatvorte spojku a stlačte kombinovanými kliešťami kovový mostík v spojke tak, aby sa vytvorilo elektrické spojenie (obr. **11** C, strane 6).
- Zatlačte ochranný kryt dolu a nechajte ho zapadnúť na spojke.
- Skontrolujte upevnenie spojky s odbočkou potiahnutím kábla (obr. **11** D, strane 6).

7.3 Vytvorenie správnych spájkovaných spojov

Aby ste prispájovali kábel k originálnym vedeniam, postupujte nasledovne:

- Odizolujte 10 mm originálneho vedenia (obr. **12** A, strane 6).
- Odizolujte 15 mm kábla, ktorý sa má pripojiť (obr. **12** B, strane 6).
- Oviňte kábel, ktorý sa má pripojiť, okolo originálneho vedenia a obidva káble spojte spájkovaním (obr. **12** C, strane 6).
- Káble zaizolujte izolačnou páskou (obr. **12** D, strane 6).

Pri spájaní dvoch káblov postupujte nasledovne:

- Odizolujte obidva káble (obr. **13** A, strane 6).
- Natiahnite zmršťovaciu hadičku v dĺžke asi 20 mm na kábel (obr. **13** B, strane 6).
- Obidva káble spolu stočte a zospájajte (obr. **13** C, strane 6).
- Posuňte zmršťovaciu hadičku na spájkovaný spoj a mierne ju zohrejte (obr. **13** D, strane 6).

8 Montáž kamery

8.1 Potrebné náradie

Na **zabudovanie a montáž** potrebujete nasledovné náradie:

- Súprava vrtákov (obr. **1** 1, strane 3)
- Vrtáčka (obr. **1** 2, strane 3)
- Skrutkovač (obr. **1** 3, strane 3)
- Súprava prstencových alebo otvorených kľúčov (obr. **1** 4, strane 3)
- Meradlo (obr. **1** 5, strane 3)
- Kladivo (obr. **1** 6, strane 3)
- Jamkovač (obr. **1** 7, strane 3)

Na **elektrické zapojenie** a jeho preskúšanie potrebujete nasledovné pomôcky:

- Diódová skúšobná lampa (obr. **1** 8, strane 3) alebo voltmeter (obr. **1** 9, strane 3)
- Izolačná páska (obr. **1** 11, strane 3)
- Príp. káblvé priechodky

Na **upevnenie káblov** potrebujete príp. ešte ďalšie viazače káblov.

8.2 Montáž kamery



UPOZORNENIE!

Zvoľte miesto pre kameru a upevnite ju tak bezpečne, aby sa za žiadnych okolností osoby nachádzajúce sa v blízkosti nemohli poraniť, napr. tým, že konáre, ktoré zasiahnu strechu vozidla, odtrhnú kameru.



POZNÁMKA

Ak sa montážou kamery zmení výška alebo dĺžka vozidla zaznamenaná v technickom preukaze vozidla, musí sa zabezpečiť nové schválenie zo strany kompetentných miest (TÜV, DEKRA atď.).

Nové schválenie dajte zaznamenať príslušným dopravným inšpektorátom do technického preukazu vozidla.

Pri montáži dodržiavajte nasledovné pokyny:

- Aby mala kamera účelný uhol pohľadu, umiestnite ju minimálne vo výške dvoch metrov.
Pri montáži dbajte, aby ste mali dostatočne stabilné pracovné miesto.
- Dbajte na to, aby miesto montáže kamery bolo dostatočne pevné (napr. konáre, ktoré zasiahnu strechu vozidla, sa môžu do kamery zapliesť).
- Držiak kamery namontujte vodorovne a do stredu zadnej časti vozidla (obr. **14**, strane 7).
- Bezpodmienečne použite dodaný izolačný podklad (obr. **8** 5, strane 5). Zabráni sa tak poruchovému prúdu, ktorý môže vzniknúť na základe nesprávneho ukostrenia vo vozidle. Následkom poruchového prúdu môže byť od pásov na obraze cez bzučanie v reproduktore až po poškodenie.
- Najbezpečnejší spôsob upevnenia sú skrutky, ktoré prechádzajú konštrukciou. Rešpektujte pritom nasledovné upozornenia:
 - Za zvolenej montážnou polohou musí byť dostatok voľného priestoru na montáž.
 - Každý vytvorený otvor sa musí chrániť vhodnými opatreniami proti vniknutiu vody (napr. použitím skrutiek s tesnivom a/alebo zastrešenie upevňovacích skrutiek tesnivom zvonku).
 - Nadstavba na mieste upevnenia musí byť dostatočne pevná, aby sa držiak kamery dal dostatočne utiahnuť.
- Najprv skontrolujte, či je dostatok voľného priestoru pre výstup vrtáka (obr. **2**, strane 4).
- Ak nie ste si istí zvoleným miestom montáže, informujte sa u výrobcu nadstavby alebo jeho zastúpenia.

**POZNÁMKA**

Aby sa minimalizovala korózia skrutiek, závitý namastite.

Pri montáži postupujte takto:

- Držiak kamery pridržite na zvolenom mieste montáže a označte minimálne dva rôzne body vrtania (obr. **15**, strane 7).
- Najprv si predznačte otvor kladivom a jamkovačom, aby ste predišli skĺznutiu vrtáka.

Keď chcete kameru priskrutkovať skrutkami na plech (obr. **16, strane 7):****POZOR!**

Upevniť skrutkami na plech sa smie len na plech s minimálnou hrúbkou 1,5 mm.

- Predtým vyvrtajte v naznačených bodoch otvor s \varnothing 4 mm.
- Všetky otvory zbavte výronkov a ošetríte antikoróznym prostriedkom.
- Obojstranný lepiaci izolačný podklad (obr. **8** 5, strane 5) nalepte na montážnu stranu držiaka.
Izolačná doska slúži aj ako tesnenie a ochrana laku.
- Držiak kamery priskrutkujte skrutkami na plech 5 x 20 mm.

Keď chcete kameru upevniť závitovými skrutkami cez konštrukciu (obr. **17, strane 7)****POZOR!**

Dbajte na to, aby sa matice pri uťahovaní nedali pretiahnuť cez konštrukciu.
V prípade potreby použite väčšie podložky alebo plátky plechu.

- Predtým vyvrtajte v naznačených bodoch otvor \varnothing 5,5 mm.
- Všetky otvory zbavte výronkov a ošetríte antikoróznym prostriedkom.
- Obojstranný lepiaci izolačný podklad (obr. **8** 5, strane 5) nalepte na montážnu stranu držiaka.
Izolačná doska slúži aj ako tesnenie a ochrana laku.
- Držiak kamery priskrutkujte závitovými skrutkami na pech M5 x 20 mm.
Podľa hrúbky konštrukcie použite potrebnú dĺžku závitových skrutiek.

Vytvorenie otvoru pre prípojný kábel kamery (obr. 18, strane 8)



POZNÁMKA

Na prechod prípojného kábla použite podľa možností originálne prechody, napr. ventilačné mriežky. Ak nie sú k dispozícii žiadne prechody, musí sa pre kábel vyvrtáť otvor Ø 16 mm.



POZOR! Nebezpečenstvo poškodenia!

Najprv skontrolujte, či je dostatok voľného priestoru pre výstup vrtáka.

- V blízkosti kamery vyvrtajte otvor s Ø 16 mm.
- Všetky otvory vytvorené v plechu zbavte výronkov a ošetríte antikoróznym prostriedkom.
- Všetky priechody s ostrými hranami opatrite priechodkou.

Upevnenie kamery a ochrany kamery



POZOR!

Kameru nikdy nemontujte bez ochrany kamery. Na montáž ochrany kamery použite len dodané skrutky M3 x 6 mm. Dlhšie skrutky poškodia kameru.

- Posuňte ochranu kamery (obr. 8 3, strane 5) nad kameru tak,
 - aby upevňovacie otvory ochrany kamery (obr. 19, strane 8) boli nad závitom s priemerom 3 mm
 - aby ďalšie dva upevňovacie otvory (obr. 19, strane 8) boli nad závitmi s priemerom 3 mm.
- Upevnite ochranu kamery dvomi skrutkami M3 x 6 mm do upevňovacieho otvoru (obr. 19, strane 8).
- Vsuňte kameru do držiaka (obr. 20, strane 8).



POZOR!

Na montáž kamery do držiaka použite len dodané skrutky. Dlhšie skrutky poškodia kameru.

- Kameru **voľne** upevnite štyrmi skrutkami M3 x 8 mm v obidvoch pozdĺžnych upevňovacích otvoroch (obr. 20, strane 8).
Kamera je teraz vyrovnaná.
- Kameru vyrovnajte tak, aby objektív tvoril cca 20° uhol so zvislou osou vozidla (obr. 21, strane 8).



POZNÁMKA

Po vyrovnaní kamery (pozri kap. „Kontrola funkcie a nastavenie kamery“ na strane 246) pevne utiahnite štyri skrutky M3 x 8 mm.
Príp. najprv musíte ešte namontovať monitor a zabezpečiť jeho elektrické pripojenie.

8.3 Pripojenie kamery



POZNÁMKA

- Kábel kamery uložte tak, aby ste sa v prípade potreby demontáže kamery ľahko dostali k zástrčkovému spoju kamery a predĺžovacieho kábla. Demontáž sa tým výrazne zjednoduší.
- Aby sa minimalizovala korózia konektora, dajte malé množstvo mastiva, napr. mastiva na póly, do konektora.

- Kábel kamery zaveďte do vnútra vozidla.
- Zasuňte konektor kábla kamery do zásuvky predĺžovacieho kábla.
- Zaskrutkujte zástrčkové spoje na ochranu proti vniknutiu vody (obr. **10**, strane 5).

8.4 Pripojenie spínacieho boxu 9102200078 (obr. **24**, strane 9)

Spínací box je v stave pripravenom na montáž.

- Upevnite spínací box na vhodnom mieste.
- Elektrické pripojenie spínacieho boxu vykonajte nasledovne:
 - Pripojte kamerové vstupy monitora k prípojkám „V1“ a „V2“.
 - Pripojte systémový kábel kamery k prípojke „TWIN“.

Kamera sa zapne, príp. vypne zaradením spätného chodu alebo voličom kamery na monitore.

8.5 Pripojenie spínacieho boxu AMP100 (obr. 25, strane 10)



POZNÁMKA

Keď chcete obidva kamerové moduly používať pri jazde dopredu, musíte namontovať dodaný preklápací spínač (pozri návod na montáž a používanie pre AMP100).

Spínací box (nie je súčasťou dodávky) je v stave pripravenom na montáž.

- Spínací box namontujte podľa opisu v príslušnom návode na montáž a používanie.



POZNÁMKA

Výstup spínacieho boxu „2“ der je pomocný výstup na pripojenie monitora iného výrobcu.

- Elektrické pripojenie spínacieho boxu vykonajte podľa opisu v príslušnom návode na montáž a používanie.

8.6 Kontrola funkcie a nastavenie kamery



POZNÁMKA

Hodnoty vzdialenosti vzdialenostných značiek (pozri kap. „Odhad vzdialeností“ na strane 247) platia len vtedy, keď je kamera namontovaná vo výške cca 230 – 250 cm.

Po vykonaní montáže kamery skontrolujte skutočnú výšku montáže. Ak sa výška montáže líši od tejto hodnoty, stanovte skutočné hodnoty vzdialenosti pre vzdialenostné značky.

- Po pripojení kamery k monitoru skontrolujte jej funkciu.
- V prípade potreby vyrovajte kameru podľa obrazu monitora: Obraz monitora by mal zobrazovať dolný okraj obrazu zadnej časti, príp. nárazníka vášho vozidla. Stred nárazníka by mal byť v strede obrazu monitora (obr. 23, strane 9).
- Pevne utiahnite upevňovacie skrutky kamery.
- Nasadte bočné kryty a každý z nich zaistite jednou upevňovacou skrutkou (obr. 22, strane 8).

Nastavte kontrast a jas monitora.

9 Používanie kamery

9.1 Odhad vzdialeností

Pri zaradení spätného chodu kamera vytvára tri vzdialenostné značky, ktoré sa na pripojenom farebnom monitore zobrazia ako tri farebné čiary (obr. 26, strane 10).

Čiary uľahčujú odhadnutie vzdialenosti vozidla od prekážky.

Keď je kamera namontovaná vo výške cca 230–250 cm, čiary zobrazujú nasledovné vzdialenosti:

Farba	Vzdialenosť
zelená (A)	cca 3 m
žltá (B)	cca 1 m
červená (C)	cca 0,3 m

10 Ošetrovanie a čistenie kamery



POZOR!

Na čistenie nepoužívajte ostré prostriedky, pretože by mohli poškodiť prístroj.

► Kameru príležitostne vyčistite mäkkou, navlhčenou handričkou.

11 Záruka

Platí zákonom stanovená záručná lehota. Ak by bol výrobok chybný, obráťte sa na pobočku výrobcu vo vašej krajine (adresy pozri na zadnej strane návodu) alebo na vášho špecializovaného predajcu.

Ak žiadate o vybavenie opravy alebo nárokov vyplývajúcich zo záruky, musíte priložiť nasledovné:

- chybné komponenty,
- kópiu faktúry s dátumom kúpy,
- dôvod reklamácie alebo opis chyby.


12 Likvidácia

- Obalový materiál podľa možnosti odovzdajte do príslušného odpadu na recykláciu.



Keď výrobok definitívne vyradíte z prevádzky, informujte sa v najbližšom recyklačnom stredisku alebo u vášho špecializovaného predajcu o príslušných predpisoch týkajúcich sa likvidácie.

13 Technické údaje

	PerfectView CAM44
Č. výrobu:	9600000043
Snímač obrazu:	Videnie do diaľky: 1/4" Color CMOS senzor, cca 290000 pixel, 648(H) x 488(V) Videnie do blízka: 1/3" CMOS, 762(H) x 504(V)
TV systém:	PAL
Citlivosť:	< 1 lux alebo 0,0 lux s IČ LED (videnie do blízka)
Uhol pohľadu:	Objektív na videnie do diaľky: cca 50° Objektív na videnie do blízka: cca 140° diagonálne
Citlivosť mikrofónu:	cca 56 dB
Teplota skladovania:	-30 °C až +85 °C
Prevádzková teplota:	-30 °C až +70 °C
Prevádzkové napätie:	12 – 16 V $\overline{=}$
Spotreba:	max. 4 W
Rozmery Š x V x H (s držiakom):	114 x 74 x 62 mm
Hmotnosť:	cca 360 g
Povolenia:	

Před zahájením instalace a uvedením do provozu si pečlivě přečtěte tento návod a uschovejte jej. V případě dalšího prodeje výrobku předejte návod novému uživateli.

Obsah

1	Vysvětlení symbolů	250
2	Bezpečnostní pokyny a pokyny k instalaci	250
3	Rozsah dodávky	253
4	Příslušenství	253
5	Použití v souladu s účelem	253
6	Technický popis	254
7	Pokyny k elektrickému připojení.	255
8	Montáž kamery	257
9	Použití kamery	263
10	Čištění a péče o kameru	263
11	Záruka	263
12	Likvidace	264
13	Technické údaje	264

1 Vysvětlení symbolů

**VÝSTRAHA!**

Bezpečnostní pokyny: Následkem nedodržení pokynů mohou být smrtelná nebo vážná zranění.

**UPOZORNĚNÍ!**

Bezpečnostní pokyny: Následkem nedodržení mohou být úrazy.

**POZOR!**

Nedodržení pokynů může mít za následek hmotné škody a narušení funkce výrobku.

**POZNÁMKA**

Doplňující informace týkající se obsluhy výrobku.

2 Bezpečnostní pokyny a pokyny k instalaci

Dodržujte předepsané bezpečnostní pokyny a předpisy vydané výrobcem vozidla a autoservisem!

V následujících případech nepřebírá výrobce žádné záruky za škody:

- Chybná montáž nebo chybné připojení
- Poškození výrobku působením mechanických vlivů a přepětí
- Změna výrobku bez výslovného souhlasu výrobce
- Použití k jiným účelům, než jsou popsány v tomto návodu

Dodržujte proto následující pokyny:

- Z důvodu nebezpečí zkratu musíte před zahájením prací na elektrickém systému vozidla vždy odpojit záporný pól.
V případě vozidel s přídatnou baterií musíte rovněž odpojit záporný pól na této baterii.

- Nesprávně provedené spoje vodičů mohou způsobit zkrat s těmito následky:
 - Vznik požáru kabelů
 - Uvolnění airbagů
 - Poškození elektronických řídicích systémů
 - Porucha funkcí elektrických zařízení (ukazatele změny směru jízdy, brzdová světla, klakson, zapalování, světla).
- Při práci na následujících vodičích použijte pouze izolované kabelové koncovky, zástrčky a ploché konektory:
 - 30 (přímý vstup z baterie plus),
 - 15 (spínaný pól plus, za baterií),
 - 31 (vedení od baterie, kostra),
 - 58 (světlo zpátečky).

Nepoužívejte **žádné** lámací svorkovnice (tzv. „čokoláda“).

- Používejte ke spojování kabelů lisovací kleště (obr. **1** 10, strana 3).
- Přišroubujte kabely v případě přípojek k vodiči 31 (kostra)
 - pomocí kabelového oka a ozubené podložky k vlastnímu kostřicímu šroubu vozidla nebo
 - kabelovým okem a šroubem do plechu k plechu karoserie.

Pamatujte na dobré uzemnění!

Při odpojování záporného pólu baterie dojde v dočasné paměti systémů komfortní elektroniky ke ztrátě uložených dat.

- V závislosti na vybavení vozidla musíte znovu nastavit následující data:
 - Kód rádia
 - Hodiny ve vozidle
 - Spínací hodiny
 - Palubní počítač
 - Poloha sedadla

Pokyny k nastavení naleznete v příslušném návodu k obsluze.

Při montáži dodržujte následující pokyny:

- Upevněte součásti kamery, namontované ve vozidle, tak, aby se nemohly za žádných okolností uvolnit (náhlé brzdění, nehoda) a **způsobit úrazy posádky vozidla**.
- Upevněte součásti systému, které jsou instalovány pod obložení tak, aby se neuvolnily nebo aby nepoškodily jiné součásti a rozvody a aby nemohly narušovat žádné systémy vozidla (řízení, pedály apod.).
- Při vrtání pamatujte na dostatek volného prostoru pro vrták, abyste zabránili vzniku škod (obr. **2**, strana 4).

- Každý otvor odjehlete a ošetříte jej antikoročním prostředkem.
- Vždy dodržujte bezpečnostní pokyny výrobce vozidla.
Některé činnosti (např. na bezpečnostních systémech, jako je AIRBAG apod.) smí provádět pouze školený specializovaný personál.

Při práci na elektrických součástech dodržujte následující pokyny:

- Ke kontrole napětí v elektrických vodičích používejte pouze diodovou zkoušečku (obr. **1** 8, strana 3) nebo voltmetr (obr. **1** 9, strana 3).
Zkoušečky se žárovkami (obr. **1** 12, strana 3) odebírají příliš velké množství proudu, následkem může být poškození elektronického systému vozidla.
- Pamatujte při instalaci elektrických přípojek:
 - kabely nesmíte zalamovat nebo zkrucovat,
 - kabely se nesmějí dít o rohy a hrany,
 - kabely nesmějí být bez ochrany instalovány v průchodkách s ostrými hranami (obr. **3**, strana 4).
- Izolujte všechny spoje a přípojky.
- Zajistěte kabely proti mechanickému namáhání vázacími páskami nebo izolační páskou, např. ke stávajícím vodičům.

Kamera je vodotěsná. Těsnění kamery ale nejsou odolná proti působení vysokotlaké čističky (obr. **4**, strana 4). Při manipulaci s kamerou proto dodržujte následující pokyny:

- Kameru neotevírejte, došlo by k narušení její těsnosti a funkčnosti (obr. **5**, strana 4).
- Netahejte za kabely, došlo by k narušení těsnosti a funkčnosti kamery (obr. **6**, strana 4).
- Kamera není určena pro provoz pod vodou (obr. **7**, strana 4).

3 Rozsah dodávky

Č. obr. 8, strana 5	Množství	Název	Č. výrobku
1	1	Kamera s motorem poháněným ochranným víčkem	
2	2	Kryt	
3	1	Ochrana kamery	
4	1	Držák kamery	
5	1	Izolační podložka	
6	1	Box adaptéru CAM44	9102200078
7	1	Prodlužovací kabel	9102200030
–	1	Upevňovací materiál	

4 Příslušenství

Dodávané příslušenství (není součástí dodávky):

Název	Č. výrobku
Spínací box AMP100	9600000210

5 Použití v souladu s účelem

Kamera CAM44 (výr. č. 9600000043) je přednostně určena k použití ve vozidlech. Je používána ve videosystémech couvacích asistentů, které slouží ke sledování oblasti přímo za vozidlem ze sedadla řidiče, např. při manévrování nebo parkování.



VÝSTRAHA!

Videosystémy pro jízdu vzad jsou určeny k podpoře při couvání.

Nezbavují však povinnosti zachovávat během couvání mimořádnou opatrnost.

6 Technický popis

Barevná kamera s integrovaným mikrofonom je instalována do hliníkového krytu a přenáší obraz a zvuk pomocí kabelu do monitoru. Je vybavena objektivem pro sledování vzdálených a blízkých předmětů. Pomocí infračervených LED dochází ke zlepšení nočního vidění.

Objektiv pro sledování vzdálených předmětů přenáší obraz z prostoru za vozidlem tak, jak je vidět ze zadního okna vozu. Můžete jej zapnout, pokud právě necouváte.

Objektiv pro sledování blízkých předmětů (couvací kamera) je širokoúhlý objektiv, který sleduje prostor přímo za vozidlem. Aktivuje se zařazením zpátečky.

Kamera generuje v režimu couvání tři značky vzdálenosti, které jsou zobrazeny na připojeném barevném monitoru jako barevné linie.

Kamera CAM44 je vybavena motorem ovládaným ochranným víčkem proti znečištění.



POZNÁMKA

Kamery jsou z výroby vybaveny systémem zrcadlového zobrazení obrazu. Připojený monitor proto musí pracovat ve funkci běžného obrazu.

Kamera se skládá z následujících částí:

Č. podle obr. 9, strana 5	Název
1	6pólový přívodní kabel
2	Objektiv pro sledování vzdálených objektů
3	Infračervené LED
4	Objektiv pro sledování blízkých objektů (couvací kamera)
5	Mikrofon

7 Pokyny k elektrickému připojení

7.1 Instalace kabelů



POZOR! Nebezpečí poškození!

- Při vrtání otvorů nejprve zkontrolujte, zda je k dispozici dostatek volného prostoru pro vrták.
- Nesprávná instalace kabelů a kabelových spojů vede vždy k poruchám nebo poškození součástí. Správná instalace kabelů nebo kabelových spojů je základním předpokladem trvalé a bezchybné funkce instalovaných součástí.
- Kabely nesmí být po delší dobu v kontaktu s rozpouštědly, jako je např. benzín, rozpouštědla mohou kabely poškodit.

Dodržujte proto následující pokyny:

- Používejte k instalaci přírodních kabelů podle možnosti originální průchodky nebo jiné možnosti vedení, např. okraje obložení, ventilační mřížky nebo záslepky. Pokud nejsou dostupné žádné průchodky, musíte pro příslušné kabely vyvrtat otvory. Nejdříve se podívejte, zda je na druhé straně případného otvoru dostatek volného místa.
- Podle možností pokládejte kabely vždy uvnitř vozidla, protože tam jsou lépe chráněny než zvenčí vozidla. Pokud kabely i přesto instalujete zvenčí vozidla, dbejte na bezpečné upevnění (použitím vázacích pásek na kabely, izolační pásy apod.).
- K zabránění poškození kabelů pokládejte kabely vždy v dostatečné vzdálenosti od horkých a pohyblivých součástí vozidla (výfukové potrubí, hnací hřídele, dynamo, ventilátory, topení apod.). Z důvodu mechanické ochrany použijte chráničky nebo jiné podobné ochranné materiály.
- Z důvodu ochrany proti vniknutí vody přišroubujte konektorové spoje spojovacích kabelů (obr. **10**, strana 5).
- Pamatujte při instalaci kabelů, že
 - kabely nesmíte ostře zalamovat nebo zkrucovat,
 - kabely se nesmějí dít o rohy a hrany,
 - kabely nesmějí být bez ochrany instalovány v průchodkách s ostrými hranami (obr. **3**, strana 4).
- Upevněte kabely ve vozidle bezpečně, abyste zabránili zachycení za kabely (nebezpečí pádu). Můžete to provést použitím vázacích pásek na kabely, izolační pásy nebo lepidla.

- Každý otvor na vnějším plášti vozidla vhodným způsobem chraňte před proniknutím vody, např. použitím kabelu s těsnicí hmotou a zastříkáním kabelu a průchodky těsnicí hmotou.



POZNÁMKA

S utěšňováním otvorů začněte až poté, co dokončíte všechny seřizovací práce na kameře a budou jasné potřebné délky přívodních kabelů.

7.2 Použití rozbočovací spojky

K tomu, aby nedošlo u odboček kabelů ke vzniku nedostatečného kontaktu, musíte dávat pozor, aby průřez kabelů odpovídal odbočovacích spojkám.

Při použití rozbočovacích spojek postupujte takto:

- Instalujte kabel, který chcete připojit, do přední drážky rozbočovací spojky (obr. **11** A, strana 6).
- Instalujte nový kabel zhruba 3/4 do zadní drážky (obr. **11** B, strana 6).
- Připojte spojku a zatlačte kombinovanými kleštěmi kovový jazýček do spojky tak, aby došlo k připojení napětí (obr. **11** C, strana 6).
- Zatlačte ochranné víčko dolů a zajistěte je na spojce.
- Zkontrolujte upevnění rozbočovací spojky tahem za kabel (obr. **11** D, strana 6).

7.3 Vytvoření správných pájených spojů

K připájení kabelu k originálním rozvodům postupujte takto:

- Odizolujte 10 mm originálního vodiče (obr. **12** A, strana 6).
- Odizolujte 15 mm připojovaného kabelu (obr. **12** B, strana 6).
- Oviňte připojovaný kabel kolem originálního vodiče a připájejte oba kabely (obr. **12** C, strana 6).
- Izolujte kabel izolační páskou (obr. **12** D, strana 6).

Při vzájemném spojování dvou kabelů postupujte takto:

- Odizolujte oba kabely (obr. **13** A, strana 6).
- Natáhněte smršťovací dutinku o délce cca 20 mm přes kabel (obr. **13** B, strana 6).
- Vzájemně zkrutěte oba kabely a spojte je pájením (obr. **13** C, strana 6).
- Přesuňte smršťovací dutinku přes pájené místo a mírně ji zahřejte (obr. **13** D, strana 6).

8 Montáž kamery

8.1 Potřebné nástroje

K instalaci a montáži potřebujete následující nástroje:

- Sada vrtáků (obr. **1** 1, strana 3)
- Vrtačka (obr. **1** 2, strana 3)
- Šroubovák (obr. **1** 3, strana 3)
- Sada očkových nebo otevřených klíčů (obr. **1** 4, strana 3)
- Měřidlo (obr. **1** 5, strana 3)
- Kladivo (obr. **1** 6, strana 3)
- Důlčík (obr. **1** 7, strana 3)

K elektrickému připojení a k provedení jeho kontroly budete potřebovat následující pomůcky:

- Diodová zkoušečka (obr. **1** 8, strana 3) nebo voltmetr (obr. **1** 9, strana 3)
- Izolační páska (obr. **1** 11, strana 3)
- Příp. kabelové průchodky

K upevnění kabelů budete potřebovat případně ještě další vázací pásky na kabely.

8.2 Montáž kamery



UPOZORNĚNÍ!

Vyberte umístění kamery a upevněte ji natolik bezpečně, aby za žádných okolností nemohly být zraněny osoby v blízkosti vozidla např. tím, že větve strhnou kameru ze střechy vozidla.



POZNÁMKA

Pokud instalací kamery dojde ke změně výšky nebo délky vozidla, která je uvedena v dokumentaci vozidla, musí být znovu provedena kontrola příslušnými institucemi (TUV, DEKRA apod.).

Provedení kontroly nechtejete zanést do dokumentace vozidla příslušným dopravním inspektorátem.

Při montáži dodržujte následující pokyny:

- Kameru umístěte z důvodu získání spolehlivého úhlu záběru do výšky minimálně dva metry.
Při montáži pamatujte na dostatečnou stabilitu pracoviště.
- Pamatujte, že místo instalace kamery musí nabízet dostatečnou pevnost (za kameru se mohou zachytit např. nízké větve).
- Namontujte kameru vodorovně a uprostřed na zádi vozidla (obr. **14**, strana 7).
- Musíte použít dodanou izolační podložku (obr. **8** 5, strana 5). Zabráníte tak vzniku chybových proudů z důvodu špatného spojení s kostrou vozidla. Chybové proudy mají za následek pruhování obrazu nebo bzučení v reproduktorech, v krajním případě i jejich poškození.
- Nejbezpečnějším způsobem upevnění jsou šrouby, které procházejí nástavbou. Dodržujte přitom následující pokyny:
 - Za vybraným místem pro montáž musí být dostatek volného prostoru k provedení montáže.
 - Každý otvor musíte chránit vhodným způsobem proti vniknutí vody (např. použitím šroubů s těsnicí hmotou a ostříkáním vnějších upevňovacích dílů těsnicí hmotou).
 - Nástavba musí v místě instalace nabízet dostatečnou pevnost, aby bylo možné držák kamery dostatečně pevně utáhnout.
- Předem zkontrolujte, zda je dostatek volného místa pro vrták (obr. **2**, strana 4).
- Pokud si nejste jisti místem instalace, které jste vybrali, informujte se u výrobce nástavby nebo u jeho zastoupení.

**POZNÁMKA**

Z důvodu minimalizace koroze šroubů můžete závity namazat.

Při montáži postupujte takto:

- Podržte držák kamery ve vybraném místě instalace a označte minimálně dva různé vrtané otvory (obr. **15**, strana 7).
- Důlčíkem a kládíkem proveďte v označených bodech základní otvor tak, abyste zabránili sklouznutí vrtáku při vrtání.

Příšroubování kamery šrouby do plechu (obr. **16, strana 7):****POZOR!**

Upevnění pomocí šroubů do plechu smí být provedeno pouze na ocelovém plechu o minimální tloušťce 1,5 mm.

- Vyrtejte ve vyznačených bodech vždy jeden otvor o velikosti \varnothing 4 mm.
- Všechny vyvrtané otvory odjehlete a opatřete je antikorozi ochranou.
- Přilepte oboustranně lepicí izolační podložku (obr. **8** 5, strana 5) na montážní stranu držáku.
Izolační deska slouží také jako těsnění a ochrana laku.
- Příšroubojte držák kamery pomocí šroubů do plechu 5 x 20 mm.

Přípevnění kamery pomocí šroubů vedených průchozími otvory v nástavbě (obr. **17, strana 7)****POZOR!**

Dávejte pozor, aby matice při utahování neprorazily nástavbu. Použijte případně větší podložky nebo plechové destičky.

- Vyrtejte ve vyznačených bodech vždy jeden otvor o velikosti \varnothing 5,5 mm.
- Všechny vyvrtané otvory odjehlete a opatřete je antikorozi ochranou.
- Přilepte oboustranně lepicí izolační podložku (obr. **8** 5, strana 5) na montážní stranu držáku.
Izolační deska slouží také jako těsnění a ochrana laku.
- Příšroubojte držák kamery pomocí šroubů M5 x 20 mm.
V závislosti na tloušťce nástavby budete potřebovat delší šrouby.

Provedení otvoru průchodky pro přívodní kabel kamery (obr. 13, strana 8)



POZNÁMKA

Používejte k instalaci přívodních kabelů podle možnosti stávající průchodky, např. ventilační mřížky. Pokud nejsou dostupné žádné průchodky, musíte vyvrtat otvor \varnothing 16 mm.



POZOR! Nebezpečí poškození!

Předem zkontrolujte, zda je dostatek volného místa pro vrták.

- V blízkosti kamery vyvrtejte otvor \varnothing 16 mm.
- Všechny otvory vyvrtané do plechu odjehlete a opatřete je antikorozní ochranou.
- Opatřete všechny průchodky s ostrými hranami chráničkou.

Upevnění kamery ochrany kamery



POZOR!

Nikdy nemontujte kameru bez ochrany kamery. Používejte k montáži ochrany kamery pouze dodané šrouby M3 x 6 mm. Delší šrouby by kameru poškodily.

- Nasadte ochranu kamery (obr. 8 3, strana 5) přes kameru tak,
 - aby byl upevňovací otvor ochrany kamery (obr. 19, strana 8) nad závitem 3 mm kamery
 - aby byly oba upevňovací otvory (obr. 19, strana 8) nad závitem 3 mm kamery.
- Upevněte ochranu kamery oběma šrouby M3 x 6 mm v závitových otvorech (obr. 19, strana 8).
- Nasadte kameru do držáku kamery (obr. 20, strana 8).



POZOR!

Používejte k montáži kamery v držáku kamery pouze dodané šrouby. Delší šrouby by kameru poškodily.

- Upevněte kameru **volně** čtyřmi šrouby M3 x 8 mm v obou upevňovacích otvorech (obr. 20, strana 8).
Kamera je nyní vystředěná.
- Nasměrujte kameru tak, aby objektiv svíral úhel cca 20° se svislou osou vozidla (obr. 21, strana 8).



POZNÁMKA

Čtyři šrouby M3 x 8 mm utáhněte, až nastavíte správnou polohu kamery (viz kap. „Kontrola funkce a nastavení kamery“ na straně 262). Přitom ale musíte příp. nejprve namontovat monitor a připojit jej k elektrickému rozvodu.

8.3 Připojení kamery



POZNÁMKA

- Instalujte kabely kamery tak, aby při případné nutné demontáži byl možný snadný přístup ke konektorovým spojům mezi kamerou a prodlužovacím kabelem. Demontáž je tím výrazně zjednodušena.
- Z důvodu minimalizace koroze naneste na zástrčku trochu maziva, např. tuk na kontakty.

- Ved'te kabel kamery dovnitř vozidla.
- Zapojte zástrčku kabelu kamery do zásuvky prodlužovacího kabelu.
- Z důvodu ochrany proti vniknutí vody přišroubujte konektorový spoj (obr. **10**, strana 5).

8.4 Připojení spínacího boxu 9102200078 (obr. **24**, strana 9)

Spínací box je připraven k montáži.

- Upevněte spínací box na vhodném místě.
- Připojte spínací box k elektrickému systému:
 - Připojte vstupy kamery monitoru k přípojkám „V1“ a „V2“.
 - Připojte systémový kabel kamery k přípojce „TWIN“.

Kamera je aktivována nebo vypnuta zpátečkou nebo tlačítkem k ovládání kamery na monitoru.

8.5 Připojení spínacího boxu AMP100 (obr. 25, strana 10)



POZNÁMKA

Pokud si přejete používat oba kamerové moduly při jízdě vpřed, musíte namontovat dodaný přepínač (viz návod k montáži a údržbě systému AMP100).

Spínací box (není součástí dodávky) je připraven k montáži.

- ▶ Namontujte spínací box tak, jak je popsáno v příslušném návodu k montáži a obsluze.



POZNÁMKA

Výstup „2“ spínacího boxu je pomocný výstup k připojení např. externího monitoru.

- ▶ Připojte spínací box k elektrickému systému tak, jak je popsáno v příslušném návodu k montáži a obsluze.

8.6 Kontrola funkce a nastavení kamery



POZNÁMKA

Hodnoty vzdáleností u značek vzdáleností (viz kap. „Odhad vzdálenosti“ na straně 263) jsou platné pouze za předpokladu, že byla kamera namontována do výšky cca 230 – 250 cm.

Zkontrolujte po instalaci kamery skutečnou montážní výšku.

Pokud se montážní výška liší od těchto hodnot, zjistěte skutečné hodnoty vzdáleností pro značky vzdáleností.

- ▶ Zkontrolujte funkci kamery po připojení k monitoru.
- ▶ Případně nasměrujte kameru podle obrazu na monitoru:
Na monitoru musí být vidět na spodním okraji zád' nebo nárazník vozidla. Ve střední části monitoru musí být střed nárazníku (obr. 23, strana 9).
- ▶ Utáhněte čtyři upevňovací šrouby kamery.
- ▶ Nasadte boční kryty a zajistěte je vždy jedním upevňovacím šroubem (obr. 22, strana 8).

Nastavení např. kontrastu a jasu provedete na monitoru.

9 Použití kamery

9.1 Odhad vzdálenosti

Kamera generuje v režimu couvání tři značky vzdálenosti, které jsou zobrazeny na připojeném barevném monitoru jako barevné linie (obr. 26, strana 10).

Linie usnadňují odhad vzdálenosti vozidla od překážky.

Pokud je kamera namontována ve výšce cca 230 – 250 cm, představují linie následující vzdálenosti:

Barva	Vzdálenost
zelená (A)	cca 3 m
žlutá (B)	cca 1 m
červená (C)	cca 0,3 m

10 Čištění a péče o kameru



POZOR!

Nepoužívejte k čištění žádné tvrdé nebo ostré prostředky, může dojít k poškození přístroje.

- Příležitostně vyčistěte kameru mírně zvlhčeným měkkým hadříkem.

11 Záruka

Na výrobek je poskytována záruka v souladu s platnými zákony. Zjistíte-li, že je výrobek vadný, zašlete jej do pobočky výrobce ve vaší zemi (adresy viz zadní strana tohoto návodu) nebo specializovanému prodejci.

K vyřízení opravy nebo záruky nezapomeňte odeslat následující:

- Vadné součásti,
- Kopii účtenky s datem zakoupení,
- Uvedení důvodu reklamace nebo popis vady.


12 Likvidace

► Obalový materiál likvidujte v odpadu určeném k recyklaci.



Jakmile výrobek zcela vyřadíte z provozu, informujte se v příslušných recyklačních centrech nebo u specializovaného prodejce o příslušných předpisech o likvidaci odpadu.

13 Technické údaje

	PerfectView CAM44
Výr. č.:	9600000043
Obrazový senzor:	Vzdálené objekty: 1/4" Color CMOS Sensor, cca 290000 pixelů, 648(H) x 488(V) Blízké objekty: 1/3" CMOS, 762(H) x 504(V)
TV systém:	PAL
Citlivost:	< 1 luxů nebo 0,0 luxů s IR LED (blízké objekty)
Úhel záběru:	Objektiv pro vzdálené objekty: cca 50° Objektiv pro blízké objekty: cca 140° diagonální
Citlivost mikrofону:	cca 56 dB
Teplota skladování:	-30 °C až +85 °C
Provozní teplota:	-30 °C až +70 °C
Provozní napětí:	12 – 16 V $\overline{=}$
Spotřeba:	max. 4 W
Rozměry Š x V x H (s držákem):	114 x 74 x 62 mm
Hmotnost:	cca 360 g
Certifikace:	

Beépítés és üzembe vétel előtt gondosan olvassa el és őrizze meg ezt a használati útmutatót. Ha a terméket továbbadja, mellékelje hozzá a használati útmutatót is.

Tartalomjegyzék

1	Szimbólumok magyarázata	266
2	Biztonsági és beépítési megjegyzések	266
3	Szállítási terjedelem	269
4	Tartozék	269
5	Rendeltetésszerű használat	269
6	Műszaki leírás	270
7	Megjegyzések az elektromos csatlakozáshoz	271
8	A kamera felszerelése	274
9	A kamera használata	281
10	A kamera karbantartása és tisztítása	281
11	Szavatosság	281
12	Ártalmatlanítás	282
13	Műszaki adatok	282

1 Szimbólumok magyarázata

**FIGYELMEZTETÉS!**

Biztonsági tudnivaló: Az utasítás figyelmen kívül hagyása halált vagy súlyos sérülést okozhat.

**VIGYÁZAT!**

Biztonsági tudnivaló: Az utasítás figyelmen kívül hagyása sérüléseket okozhat.

**FIGYELEM!**

Ha nem veszi figyelembe az információt, az anyagkárosodást eredményezhet, és káros kihatással lehet a termék működésére.

**MEGJEGYZÉS**

Kiegészítő információk a termék kezelésével kapcsolatosan.

2 Biztonsági és beépítési megjegyzések

Vegye figyelembe a járműgyártó és a gépjármű-szakma által előírt biztonsági megjegyzéseket és előírásokat!

A gyártó a bekövetkező károkért a következő esetekben nem vállal felelősséget:

- szerelési vagy csatlakozási hiba
- a termék mechanikai behatások és túlfeszültségek miatti sérülése
- a termék kifejezett gyártói engedély nélküli módosítása
- az útmutatóban leírt céloktól eltérő felhasználás

Ezért vegye figyelembe a következő megjegyzéseket:

- Rövidzárlat veszélye miatt a járműelektronikán végzendő munkák előtt mindig csatlakoztassa le a mínusz pólust.
Pótakkumulátorokkal rendelkező járműveknél arról is csatlakoztassa le a mínusz pólust.

- A nem megfelelő vezetékcsatlakozások következményeképpen rövidzárlat miatt
 - kábeltűz keletkezhet,
 - a légzsák kiold,
 - az elektronikus vezérlőberendezések megsérülnek,
 - az elektromos funkciók meghibásodnak (index, féklámpa, kürt, gyújtás, világítás).
- A következő vezetéseken végzendő munkáknál csak szigetelt kábelsarukat, csatlakozódugókat és lapos dugóhüvelyeket használjon:
 - 30 (közvetlen bemenet az akkumulátor pozitív pólusától)
 - 15 (kapcsolt pozitív vezeték, akkumulátor után)
 - 31 (visszamenő vezeték akkumulátortól, föld),
 - 58 (tolatólámpa).

Ne használjon sorkapcsokat ('csoki').

- A kábelek csatlakoztatásához préselőfogót (1. ábra 10, 3. oldal) használjon.
 - A csatlakozásoknál a kábelt csavarozza a 31-es vezetékhez (föld)
 - kábelsaruvál és fogazott alátéttel egy a járművön lévő földelőcsavarhoz vagy
 - kábelsaruvál és lemezcsavarral a karosszérialemezhez.
- Ügyeljen a jó földelésérintkezésre!

Az akkumulátor mínusz pólusának lecsatlakoztatása esetén a kényelmi elektronikai berendezések felejtő memóriájából az összes tárolt adat törlődik.

- A jármű felszereltségének függvényében a következő adatokat kell újból beállítani:
 - rádiókód
 - fedélzeti óra
 - kapcsolóóra
 - fedélzeti számítógép
 - ülés helyzet

A beállításokra vonatkozó megjegyzések a vonatkozó üzemeltetési útmutatóban találhatóak.

A szerelés során vegye figyelembe a következő megjegyzéseket:

- A kamera járműben felszerelt alkatrészeit úgy rögzítse, hogy azok semmilyen körülmények között (éles fékezés, közlekedési baleset) ne szabadulhassanak el és ne okozhassák **a jármű utasainak sérülését**.
- A burkolat alatt takarásban lévő alkatrészeket úgy rögzítse, hogy ne szabadulhassanak el és ne sérthessenek meg más alkatrészeket és vezetéseket, illetve ne akadályozhassák a jármű működését (kormányzás, pedálok stb.).

- Fúrásnál a sérülések elkerülése érdekében ügyeljen a kielégítő szabad térre a fúró kilépési helyén (2. ábra, 4. oldal).
- Sorjátlanítsa a furatot és kezelje le rozsdagátló szerrel.
- Mindig vegye figyelembe a járműgyártó biztonsági megjegyzéseit. Bizonyos (például gátlórendszereken - légsákon stb. - végzendő) munkákat csak képesített szakszemélyzet végezhet.

Elektromos alkatrészekon végzendő munkáknál vegye figyelembe a következő megjegyzéseket:

- Elektromos vezetékek feszültségének ellenőrzéséhez csak diódás ellenőrző lámpát (1. ábra 8, 3. oldal) vagy feszültségmérőt (1. ábra 9, 3. oldal) használjon. Világítótesttel rendelkező ellenőrző lámpák (1. ábra 12, 3. oldal) túl nagy áramot vesznek fel, ami a jármű-elektronikát károsíthatja.
- Elektromos csatlakozások kialakításánál ügyeljen arra, hogy azok
 - ne legyenek megtörve vagy megcsavarodva,
 - ne súrolódjanak peremeken,
 - ne legyenek védelem nélkül éles peremű átvezetéseken keresztülvezetve (3. ábra, 4. oldal).
- Szigetelje le az összes összekötést és csatlakozást.
- Biztosítsa a kábeleket mechanikus igénybevétel ellen kábelkötözővel vagy szigetelőszalaggal, például a meglévő vezetéseken.

A kamera vízálló. A kamera tömítései azonban magas nyomású tisztítóval szemben hatástalanok (4. ábra, 4. oldal). Ezért vegye figyelembe a kamera kezelésével kapcsolatos következő megjegyzéseket:

- Ne nyissa ki a kamerát, mivel azzal csökkenti tömítettségét és működőképességét (5. ábra, 4. oldal).
- Ne húzza erővel a kábelt, mivel az csökkenti tömítettségét és működőképességét (6. ábra, 4. oldal).
- A kamera nem alkalmas víz alatti üzemeltetésre (7. ábra, 4. oldal).

3 Szállítási terjedelem

Szám 3. ábra, 5. oldal	Mennyiség	Megnevezés	Cikkszám
1	1	Kamera motoros működtetésű védősapkával	
2	2	Burkolat	
3	1	Kameravédelem	
4	1	Kameratartó	
5	1	Szigetelőalátét	
6	1	CAM44 adapterdoboz	9102200078
7	1	Hosszabbítókábel	9102200030
-	1	Rögzítőanyag	

4 Tartozék

Tartozékként kapható (nincs mellékelve):

Megnevezés	Cikkszám
AMP100 kapcsolódoboz	9600000210

5 Rendeltetészerű használat

A CAM44 (cikkszám: 9600000043) kamera elsősorban járművekben való felhasználásra alkalmas. Felhasználható olyan tolatókamera-rendszerekben, amelyek közvetlenül a jármű mögötti terület vezetőlésből történő megfigyelésére szolgálnak, például tolatásnál vagy parkolásnál.



FIGYELMEZTETÉS!

A tolatókamera-rendszerek a tolatásnál nyújtanak támogatást, de **nem** adnak felmentést von **a tolatásnál tanúsítandó elővigyázatossági kötelezettség alól.**

6 Műszaki leírás

Az integrált mikrofonnal felszerelt színes kamera alumíniumházban van elhelyezve és a képet és hangot kábelen keresztül juttatja el egy monitorhoz. A kamera távol- és közellátó objektívval rendelkezik. Az éjszakai látás javításáról infravörös LED-ek gondoskodnak.

A távollátó objektív (visszapillantó tükör) a jármű mögötti teret úgy mutatja, ahogy az egy hátsó ablakból látszódná. Akkor kapcsolhatja be, ha nem hátramenetben halad.

A közellátó objektív (tolatókamera) olyan nagy látószögű objektív, amely közvetlenül a jármű mögötti teret mutatja. Ez a sebességváltó hátramenetbe kapcsolásánál kapcsolódik be.

A kamera tolatás módban három távolságjelzést generál, amelyek a csatlakoztatott színes monitoron színes vonalakként jelennek meg.

A CAM44 kamera motorhajtású védősapkával rendelkezik a szennyeződések ellen.



MEGJEGYZÉS

A kamerák gyárilag tükörképes megjelenítéssel rendelkeznek. Emiatt a csatlakoztatott monitornak normálképes működésűnek kell lennie.

A kamera a következő elemekből áll:

Szám	Megnevezés
9. ábra, 5. oldal	
1	6 pólusú csatlakozókábel
2	Távollátó objektív
3	Infravörös LED-ek
4	Közellátó objektív (tolatókamera)
5	Mikrofon

7 Megjegyzések az elektromos csatlakozáshoz

7.1 Kábelek elhelyezése



FIGYELEM! Sérülés veszélye!

- Lyukak fúrása előtt ellenőrizze, hogy elegendő szabad hely van-e a fúrónak az átjutáshoz.
- A szakszerűtlen kábelehelyezések és kábel-összeköttetések ismételt hibás működést eredményeznek vagy alkatrészek sérülését okozzák. Az utólagosan felszerelt komponensek tartós és hibátlan működésének feltétele a szakszerűen kialakított kábelehelyezés és kábel-összeköttetés.
- A kábeleknek nem szabad hosszabb ideig oldószerekkel (például benzinnel) érintkezniük, mivel az oldószerek a kábeleket károsíthatják.

Ezért vegye figyelembe a következő megjegyzéseket:

- A csatlakozókábelek átvezetésénél lehetőség szerint eredeti átvezetéseket vagy más átvezetési lehetőségeket használjon (például burkolóeleket, szellőzőrácsokat vagy vakkapcsolókat). Ha nincsenek átvezetések, akkor a vonatkozó kábelekhez megfelelő lyukakat kell fúrnia. Először annak nézzen utána, hogy a fúró átjutásához elegendő szabad tér áll-e rendelkezésre.
- A kábeleket lehetőség szerint mindig a jármű belsejében vezesse, mivel ott azok jobban védve vannak mint a járművön kívül. Ha a kábeleket ennek ellenére a járművön kívül helyezi el, akkor ügyeljen azok biztos rögzítésére (kiegészítő kábelkötözőkkel, szigetelőszalaggal stb.).
- A kábel sérüléseit megelőzendő a kábelek elhelyezésénél mindig tartson kielégítő távolságot a forró és mozgó jármű-alkatrészekről (kipufogócsövek, hajtótengelyek, áramgenerátor, ventilátor, fűtés stb.). A mechanikus védelemhez használjon bordáscsövet vagy hasonló védőanyagot.
- A csatlakozókábelek csatlakozódugóit a víz behatolása elleni védelem érdekében csavarozza össze (10. ábra, 5. oldal).
- A kábelek elhelyezésekor ügyeljen arra, hogy azok
 - ne legyenek túlságosan megtörve vagy megcsavarodva,
 - ne súrolódjanak peremeken,
 - ne legyenek védelem nélkül éles peremű átvezetéseken keresztülvezetve (3. ábra, 4. oldal).

- A kábeleket a járműben a beleakadás elkerülése érdekében (botlásveszély miatt) biztonságosan rögzítse. Ez kábelkötözők vagy szigetelőszalag alkalmazásával, illetve ragasztóanyaggal való odaragasztással történhet.
- Védje a külső burkolat minden áttörését vízbehatolás elleni megfelelő intézkedésekkel (például a kábel tömítőanyaggal történő alkalmazásával és a kábel és az átvezetőkarika tömítőanyaggal való lepermetezésével).



MEGJEGYZÉS

Először az áttörések szigetelésével kezdje, miután a kamera valamennyi beállítási műveletét elvégezte és a csatlakozókábelek szükséges hosszát meghatározta.

7.2 Leágazáscsatlakozók használata

A leágazáscsatlakozásoknál előforduló bizonytalan érintkezések elkerülése érdekében ügyeljen arra, hogy a kábelkeresztmetszetek illeszkedjenek a leágazáscsatlakozókhoz.

A leágazáscsatlakozók használatához a következő módon járjon el:

- ▶ Helyezze az elágaztatni kívánt kábelt a leágazáscsatlakozó elülső barázdájába (11. ábra A, 6. oldal).
- ▶ Helyezze az új kábelt a végénél kb. 3/4 részéig a hátsó barázdába (11. ábra B, 6. oldal).
- ▶ Zárja be a csatlakozót és nyomja bele kombinált fogóval a fémáthidalást a csatlakozóba úgy, hogy áramcsatlakozás jöjjön létre (11. ábra C, 6. oldal).
- ▶ Nyomja le a védősapkát és kattintsa be a csatlakozón.
- ▶ Ellenőrizze a leágazáscsatlakozó rögzítését a kábel húzásával (11. ábra D, 6. oldal).

7.3 Megfelelő forrasztási csatlakozás létrehozása

Kábel eredeti vezetékekre való forrasztásához a következő módon járjon el:

- ▶ Távolítsa el az eredeti vezeték szigetelését 10 mm hosszón (12. ábra A, 6. oldal).
- ▶ Távolítsa el a csatlakoztatandó kábel szigetelését 15 mm hosszón (12. ábra B, 6. oldal).
- ▶ Sodorja a csatlakoztatandó kábelt az eredeti vezeték köré és forrassza össze a két kábelt (12. ábra C, 6. oldal).
- ▶ Szigetelje le a kábeleket szigetelőszalaggal (12. ábra D, 6. oldal).

Két kábel egymással való összekötéséhez a következő módon járjon el:

- ▶ Távolítsa el mindkét kábel szigetelését (13. ábra A, 6. oldal).
- ▶ Húzzon rá egy kb. 20 mm-es zsugorcsonyot az egyik kábelre (13. ábra B, 6. oldal).
- ▶ Sodorja össze egymással mindkét kábelt és forrassza össze őket (13. ábra C, 6. oldal).
- ▶ Tolja a zsugorcsonyot a forrasztási helyre és enyhén melegítse meg (13. ábra D, 6. oldal).

8 A kamera felszerelése

8.1 Szükséges szerszám

A **beépítéshez és felszereléshez** a következő szerszámok szükségesek:

- Fúrókészlet (1. ábra 1, 3. oldal)
- Fúrógép (1. ábra 2, 3. oldal)
- Csavarhúzó (1. ábra 3, 3. oldal)
- Villás- vagy körkulcskészlet (1. ábra 4, 3. oldal)
- Mérőszalag (1. ábra 5, 3. oldal)
- Kalapács (1. ábra 6, 3. oldal)
- Pontozó (1. ábra 7, 3. oldal)

Az **elektromos csatlakozáshoz** és annak ellenőrzéséhez a következő segédeszközök szükségesek:

- Diódás ellenőrző lámpa (1. ábra 8, 3. oldal) vagy feszültségmérő (1. ábra 9, 3. oldal)
- Szigetelőszalag (1. ábra 11, 3. oldal)
- Szükség esetén kábelátvezető gyűrűk

A **kábelek rögzítéséhez** szükség esetén további kábelkötözők kelhetnek.

8.2 A kamera felszerelése



VIGYÁZAT!

A kamera helyét úgy válassza meg és a kamerát úgy rögzítse biztonságosan, hogy a közelben álló személyek semmilyen körülmények között ne sérülhessenek meg (például azért, mert a jármű tetejét súroló ágak a kamerát lesodorhatják).



MEGJEGYZÉS

Ha a jármű - forgalmi engedélyében feltüntetett - magassága vagy hossza a kamera felszerelése miatt változik, akkor az illetékes hatóság általi új engedélyezési eljárást kell lefolytatni.

Az új engedélyezést vezettesse át az illetékes hatósággal a jármű forgalmi engedélyébe.

A szerelés során vegye figyelembe a következő megjegyzéseket:

- A kamerát az ésszerű látószög elérése érdekében legalább két méter magasságban helyezze el.
A felszerelés során ügyeljen a megfelelően stabil munkahelyre.
- Ügyeljen arra, hogy a kamera felszerelési helye kellő szilárdságú legyen (például a jármű tetejét súroló ágak megakadhatnak a kamerában).
- A kamerát vízszintesen és a jármű hátsó részén, középre szerelje fel (**14.** ábra, 7. oldal).
- Feltétlenül használja a mellékelt szigetelőalátétet (**8.** ábra 5, 5. oldal). Ez akadályozza meg a járműben a nem megfelelő földcsatlakozásból eredő hibaáramokat. A képen látható csíkok, a hangszóróban hallható zúgás vagy akár a kamera sérülése hibaáramok hatására vezethető vissza.
- A rögzítés legbiztosabban a felépítményen keresztül menő csavarokkal oldható meg. Ennek során vegye figyelembe a következő megjegyzéseket:
 - A kiválasztott szerelési hely mögött kellő szabad térnek kell lennie a szereléshez.
 - Minden áttörést megfelelő intézkedésekkel kell vízbehatalás ellen védeni (például a csavarok tömítőanyaggal történő behelyezésével és/vagy a külső rögzítő alkatrészek tömítőanyaggal történő lepermetezésével).
 - A rögzítési helyek felépítményének kellő szilárdsággal kell rendelkeznie, hogy a kameratartót kellő feszességgel lehessen meghúzni.
- Először azt ellenőrizze, hogy a fúró átjutásához elegendő szabad tér áll-e rendelkezésre (**2.** ábra, 4. oldal).
- Ha a kiválasztott szerelési hely alkalmasságára vonatkozóan nincsenek kellő információi, forduljon a felépítmény gyártójához vagy annak képviselőéhez.

**MEGJEGYZÉS**

A csavarok korróziójának minimalizálása érdekében a meneteket zsírozza be.

A szerelés során a következő módon járjon el:

- ▶ Tartsa oda a kameratartót a kiválasztott szerelési helyhez és jelöljön be legalább két különböző fúrési pontot (15. ábra, 7. oldal).
- ▶ Az előzetesen megjelölt pontokat kalapáccsal és pontozóval készítse elő a fúró elcsúszásának megakadályozásához.

Ha a kamerát lemezcsavarokkal szeretné felcsavarozni (16. ábra, 7. oldal):

**FIGYELEM!**

A lemezcsavarokkal történő rögzítés csak legalább 1,5 mm-es lemezvastagságú acéllemezekben történhet.

- ▶ Az előzőleg megjelölt pontokon készítsen egy-egy Ø 4 mm-es furatot.
- ▶ Sorjátlanítsa valamennyi furatlyukat és lássa el őket rozsdavédelemmel.
- ▶ Ragassza fel a kétoldalasan ragadó szigetelőalátétet (8. ábra 5, 5. oldal) a tartó szerelési oldalára.
A szigetelőlemez tömítésként és lakkvédelemként is szolgál.
- ▶ Csavarozza fel a kameratartót az 5 x 20 mm-es lemezcsavarokkal.

Ha a kamerát a felépítményen keresztül mentes csavarokkal szeretné rögzíteni (17. ábra, 7. oldal)



FIGYELEM!

Ügyeljen arra, hogy az anyák a meghúzásnál ne hogy áthatolhassanak a felépítményen.

Adott esetben használjon nagyobb alátéteket vagy bádoglemezeket.

- Az előzőleg megjelölt pontokon készítsen egy-egy $\varnothing 5,5$ mm-es furatot.
- Sorjátlanítsa valamennyi furatlyukat és lássa el őket rozsdavédelemmel.
- Ragassza fel a kétoldalas ragadó szigetelőalátétet (8. ábra 5. oldal) a tartó szerelési oldalára.
A szigetelőlemez tömítésként és lakkvédelemként is szolgál.
- Csavarozza fel a kameratartót az M5 x 20 mm-es menetes csavarokkal.
A felépítmény vastagságától függően hosszabb menetes csavarok lehetnek szükségesek.

Áttörés készítése a kamera csatlakozókábeléhez (18. ábra, 8. oldal)



MEGJEGYZÉS

A csatlakozókábelek átvezetésénél lehetőség szerint meglévő átvezetési lehetőségeket használjon (például szellőzőrácsot). Ha nincsenek átvezetések, akkor $\varnothing 16$ mm-es lyukat kell fúrnia.



FIGYELEM! Sérülésveszély!

Először azt ellenőrizze, hogy a fúró átjutásához elegendő szabad tér áll-e rendelkezésre.

- Fúrjon a kamera közelében egy $\varnothing 16$ mm-es lyukat.
- Sorjátlanítsa a lemezben készített valamennyi furatlyukat és lássa el őket rozsdavédelemmel.
- Lássa el az összes éles peremű átvezetést átvezetőkarikával.

A kamera és a kameravédelem rögzítése



FIGYELEM!

A kamerát soha ne szerelje fel a hozzá tartozó kameravédelem nélkül. A kameravédelem felszereléséhez csak a mellékelt M3 x 6 mm-es csavarokat használja. Hosszabb csavaroktól a kamera megsérülhet.

- ▶ Tolja a kameravédelmet (**8**. ábra 3, 5. oldal) úgy a kamerára, hogy
 - a kameravédelem rögzítőfurata (**19**. ábra, 8. oldal) a kamera 3 mm-es menete fölött legyen
 - mindkét másik rögzítőfurat (**19**. ábra, 8. oldal) a a kamera 3 mm-es menete fölött legyen.
- ▶ Rögzítse a kameravédelmet a két M3 x 6 mm-es csavarral a rögzítőfuratban (**19**. ábra, 8. oldal).
- ▶ Tolja be a kamerát a kameratartóba (**20**. ábra, 8. oldal).



FIGYELEM!

A kamera kameratartóban történő felszereléséhez csak a mellékelt csavarokat használja. Hosszabb csavaroktól a kamera megsérülhet.

- ▶ **Lazán** rögzítse a kamerát a négy M3 x 8 mm-es csavarral a két rögzítőfuratban (**20**. ábra, 8. oldal).
A kamera most már középpontosítva van.
- ▶ Igazítsa be a kamerát úgy, hogy az objektív kb. 20°-os szögben álljon a jármű tengelyéhez képest (**21**. ábra, 8. oldal).



MEGJEGYZÉS

A négy M3 x 8 mm-es csavart csak akkor kell meghúzni, ha a kamera be van állítva (lásd: „A működés ellenőrzése és a kamera beállítása” fejezet, 280. oldal).
Ehhez azonban szükség esetén először egy monitort kell felszerelnie és elektromosan csatlakoztatnia.

8.3 A kamera csatlakoztatása



MEGJEGYZÉS

- A kamera kábelét úgy helyezze el, hogy a kamera esetleges szükségessé váló kiszerelese esetén könnyedén hozzáférhessen a kamera és a hosszabbítókábel közötti dugócsatlakozóhoz. Ez a leszerelést jelentősen leegyszerűsíti.
- A csatlakozódugó korróziójának minimalizálása érdekében tegyen valamennyi zsírt (például póluszírt) a csatlakozódugók egyikébe.

- Vezesse a kamerakábelt a jármű belsejébe.
- Dugja be a kamerakábel másik csatlakozódugóját a hosszabbítókábel csatlakozóhüvelyébe.
- A dugócsatlakozókat a víz behatolása elleni védelem érdekében csavarozza össze (**10.** ábra, 5. oldal).

8.4 Az 9102200078 kapcsolódoboz csatlakoztatása (**24.** ábra, 9. oldal)

A kapcsolódoboz szerelésre kész állapotban van előkészítve.

- Rögzítse a kapcsolódobozt megfelelő helyen.
- A kapcsolódobozt a következő módon csatlakoztassa elektromosan:
 - Csatlakoztassa a monitor kamerabemeneteit a „V1” és „V2” csatlakozókra.
 - Csatlakoztassa a kamera rendszerkábelét a „TWIN” csatlakozásra.

A kamera a visszamenő vezetéken keresztül vagy a monitoron lévő kameraválasztó kapcsolóval kapcsolható be, illetve ki.

8.5 Az AMP100 kapcsolódoboz csatlakoztatása (25. ábra, 10. oldal)



MEGJEGYZÉS

Ha az előre haladásnál mindkét kameramodult használni szeretné, akkor a mellékelt billenőkapcsolót is fel kell szerelnie (lásd az AMP100 szerelési és kezelési útmutatóját).

A kapcsolódoboz (a szállítási terjedelemnek nem része) szerelésre kész állapotban van előkészítve.

- Szerelje fel a kapcsolódobozt a szerelési és kezelési útmutatóban leírtaknak megfelelően.



MEGJEGYZÉS

A kapcsolódoboz „2”-es kimenete segédkimenet (például külső monitor csatlakoztatására).

- Csatlakoztassa a kapcsolódobozt elektromosan a szerelési és kezelési útmutatóban leírtaknak megfelelően.

8.6 A működés ellenőrzése és a kamera beállítása



MEGJEGYZÉS

A távolságjelzések távolságvértékei (lásd: „Távolságok megbecslése” feje., 281. oldal) csak akkor érvényesek, ha a kamera kb. 230 – 250 cm-es magasságban lett felszerelve. A kamera beszerelését követően ellenőrizze a tényleges szerelési magasságot. Ha a szerelési magasság ezektől az értékektől jelentősen eltér, akkor meg kell határoznia a tényleges távolsági értékeket a távolságjelzésekhez.

- Ellenőrizze a kamera funkcióját, miután azt egy monitorhoz csatlakoztatta.
- Szükség esetén igazítsa be a kamerát a monitor képe alapján:
A monitorkép alsó képszelén a jármű hátuljának, illetve lökhárítójának kell látsa-
nia. A lökhárító közepének is a monitorkép közepén kell lennie (23. ábra,
9. oldal).
- Húzza meg a kamera négy rögzítőcsavarját.
- Helyezze fel az oldalsó burkolatokat és biztosítsa azokat egy-egy rögzítőcsavarral (22. ábra, 8. oldal).

Végezze el a monitor kontraszt- és világosságbeállításait.

9 A kamera használata

9.1 Távolságok megbecslése

A kamera tolatás módban három távolságjelzést generál, amelyek a csatlakoztatott színes monitoron színes vonalakként jelennek meg (26. ábra, 10. oldal).

A vonalak megkönnyítik a jármű akadálytól való távolságának megbecslését.

Ha a kamera kb. 230 – 250 cm-es magasságban van felszerelve, akkor a vonalak a következő távolságokat mutatják:

Szín	Távolság
Zöld (A)	kb. 3 m
Sárga (B)	kb. 1 m
Piros (C)	kb. 0,3 m

10 A kamera karbantartása és tisztítása



FIGYELEM!

Ne használjon éles vagy kemény eszközöket a tisztításhoz, mivel azok a készülék sérülését okozhatják.

► Alkalmanként tisztítsa meg a kamerát puha, nedves ruhával.

11 Szavatosság

A termékre a törvény szerinti szavatossági időszak érvényes. A termék meghibásodása esetén forduljon a gyártói lerakathoz (a címeket lásd jelen útmutató hátoldalán), illetve az illetékes szakkereskedőhöz.

A javításhoz, illetve a szavatossági adminisztrációhoz a következő dokumentumokat kell beküldenie:

- hibás részegységek,
- a számla vásárlási dátummal rendelkező másolatát,
- a reklamáció okát vagy a hibát tartalmazó leírást.


12 Ártalmatlanítás

- A csomagolóanyagot lehetőleg a megfelelő újrahasznosítható hulladék közé tegye.



Ha a terméket véglegesen kivonja a forgalomból, kérjük, tájékozódjon a legközelebbi hulladékártalmatlanító központnál vagy a szakkereskedőjénél az idevonatkozó ártalmatlanítási előírásokkal kapcsolatosan.

13 Műszaki adatok

	PerfectView CAM44
Cikkszám:	9600000043
Képezékelő:	Távollátás: 1/4" színes CMOS érzékelő, kb. 290 000 pixel, 648(H) x 488(V) Közellátás: 1/3" CMOS, 762(H) x 504(V)
Monitorrendszer:	PAL
Érzékenység:	< 1 lux vagy 0,0 lux infravörös LED-del (közellátás)
Látószög:	Távollátó objektív: kb. 50° Közellátó objektív: kb. 140° átlósan
Mikrofonérzékenység:	kb. 56 dB
Tárolási hőmérséklet:	-30 °C ... +85 °C
Üzemi hőmérséklet:	-30 °C ... +70 °C
Üzemi feszültség:	12 – 16 V==
Fogyasztás:	max. 4°W
Méret (szélesség x magasság x mélység, tartóval):	114 x 74 x 62 mm
Tömeg:	kb. 360 g
Engedélyek:	

Mobile living made easy.



dometic.com

**YOUR LOCAL
DEALER**

dometic.com/dealer

**YOUR LOCAL
SUPPORT**

dometic.com/contact

**YOUR LOCAL
SALES OFFICE**

dometic.com/sales-offices

A complete list of Dometic companies, which comprise the Dometic Group, can be found in the public filings of:
DOMETIC GROUP AB Hemvärnsgatan 15 SE-17154 Solna Sweden