

MM-43-CL



# 4.3" Clip-On Mirror Monitor User Manual



ECHOMASTER

## Introduction

**Thank you for purchasing your EchoMaster Mirror Monitor.**

EchoMaster mirror monitors are designed to improve safety by providing high quality images from camera inputs. This may help to improve vehicle maneuvering capabilities by displaying blind spots or areas not normally visible to the driver.

Please ensure you read and understand all aspects of this manual before fitting or using your EchoMaster mirror monitor.

## Box Contents

- ▶ User Guide
- ▶ Mirror Monitor
- ▶ Main Harness
- ▶ GX16-RCA adaptors x 2
- ▶ Remote Control

## Key Features

- ▶ Universal clip-on fitting
- ▶ Dual video inputs
- ▶ Dual mono audio inputs
- ▶ Reverse signal trigger
- ▶ Remote control included

## Fitting Instructions

The MM-43-CL clips over your existing rearview mirror using the spring loaded clips on the rear of the unit.

Once the unit is in place you can run the connections cable across the headliner of the vehicle and down the A pillar.

Please ensure that you do not impede the operation of any airbags that may be located in the A pillar of the vehicle. Any cable passing these airbags should be run behind the airbag and not in front of it.

Once the cable has been routed down to the dashboard, connect the camera inputs and power connections as shown in the wiring diagram section of this manual.

## Operating Instructions

To turn on the unit, the vehicle ignition should be active.

Press the POWER button to turn the screen on. Every time the ignition is cycled the unit will power on in its last known state (so if the screen was off when the ignition was turned off, then when the ignition is turned back on the screen will remain off, and vice versa).

The MODE button on the unit will cycle between AV1 and AV2. The MENU button will cycle through the available options listed on the next page.

The ARROW buttons will adjust the volume of the built-in speaker and when the unit is in menu mode they will increase and decrease the values of the shown function.

## Operating Instructions

These functions are replicated on the remote control.

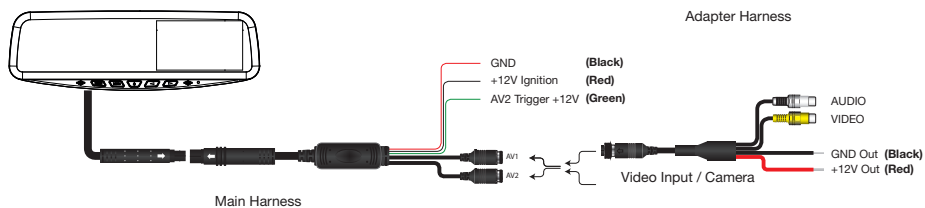
The unit has built-in audio on whichever channel is being shown on screen. When a 12V input is detected on the green wire the unit will automatically switch to AV2.

If the unit is currently turned off when this trigger is detected it will automatically turn on and switch to AV2.

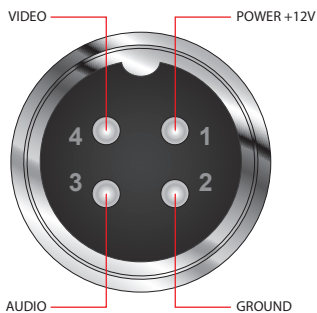
### Menu

- Brightness:** Adjust the brightness level of the screen between 0 and 40.
- Contrast:** Adjust the contrast of the screen between 0 and 40.
- Color:** Adjust the color of the screen between 0 and 40.
- Volume:** Adjust the volume of the built-in speaker between 0 and 40 (note that operating the arrow controls while NOT in the menu will also adjust the volume).
- Zoom:** Change the screen ratio of the image between 16:9 and 4:3 formats.
- ACC Time:** Change the delay that is present for the screen to switch back after the green wire is triggered. This could be either to AV1 or powered off depending on the operating state at the time the wire is triggered. This setting is adjustable between 4 values: 0, 2, 5 and 10, which roughly equate to seconds delay.
- Language:** Change the language of the on-screen menus between English, German, French, Spanish, Portuguese, Italian, Dutch and Chinese.

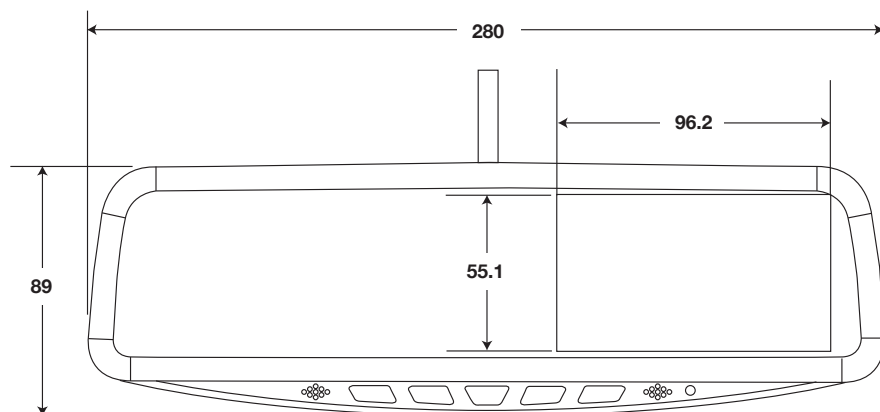
## Wiring Diagram



## Pin Out



## Dimensions (mm)



T: +44(0)1420 487110

E: [echomaster@aampglobal-eu.com](mailto:echomaster@aampglobal-eu.com)  
 W: [EchomasterEurope.co.uk](http://EchomasterEurope.co.uk)

## Specifications

<b>Screen Size</b>	4.3"
<b>Aspect Ratio</b>	16:9
<b>Power Supply</b>	12-24V DC
<b>Resolution</b>	480x272
<b>Luminance</b>	260
<b>Contrast</b>	1000:1
<b>TV Format</b>	AUTO
<b>OSD Languages</b>	Multi
<b>Video Inputs</b>	2
<b>Audio Inputs</b>	2
<b>Triggers</b>	1
<b>Current Draw</b>	600mA
<b>Operating Temperature</b>	-10C - +60C
<b>IP Rating</b>	30
<b>Parking Guidelines</b>	No
<b>Dimensions (mm)</b>	280 x 89 x 28.8
<b>Connection Type</b>	GX16





T: +44(0)1420 487110

E: [echomaster@aampglobal-eu.com](mailto:echomaster@aampglobal-eu.com)

W: [EchomasterEurope.co.uk](http://EchomasterEurope.co.uk)

EchoMaster is a brand of AAMP Global  
Woolmer Way, Bordon, Hampshire, GU35 9QE

[aampglobal-eu.com](http://aampglobal-eu.com)