



FITCAMX User Manual

English
Italiano
Deutsch
Español
Français
日本語
Русский



Scan the QR Code to Download FITCAMX APP

ENGLISH

► Download App

Scan the QR code on the cover to download the FITCAMX App.
Or search for FITCAMX in Apple AppStore or GooglePlay to download.



► Buttons

Power button: press and hold to turn off, short press to turn on.

Camera button: press and hold the camera button for 20 seconds to restore to factory settings.

Reset key: press the reset key when power is on to restore the factory settings.

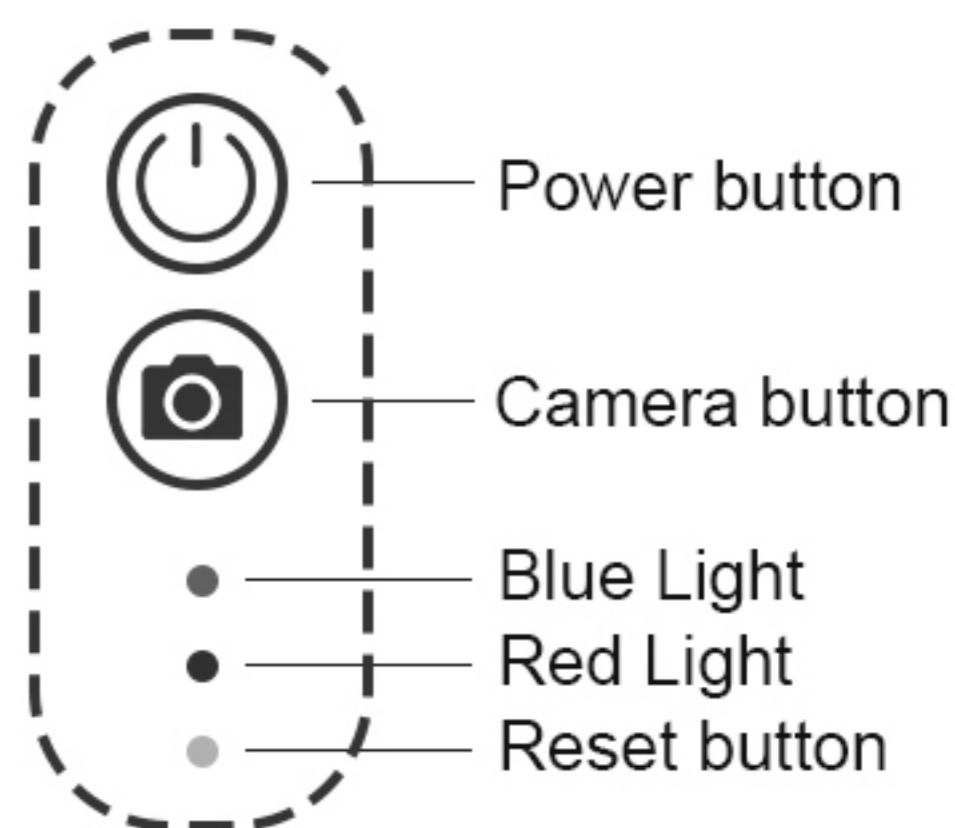
*When the car starts, the camera will automatically turn on, and when the car is parked and locked, the camera will automatically turn off, so there is no need to press any buttons during normal daily use.

► Indicator lights

Recording: flashing blue light

Pause video recording: only red light

*Due to the upgrade of the firmware version, the lights may be different



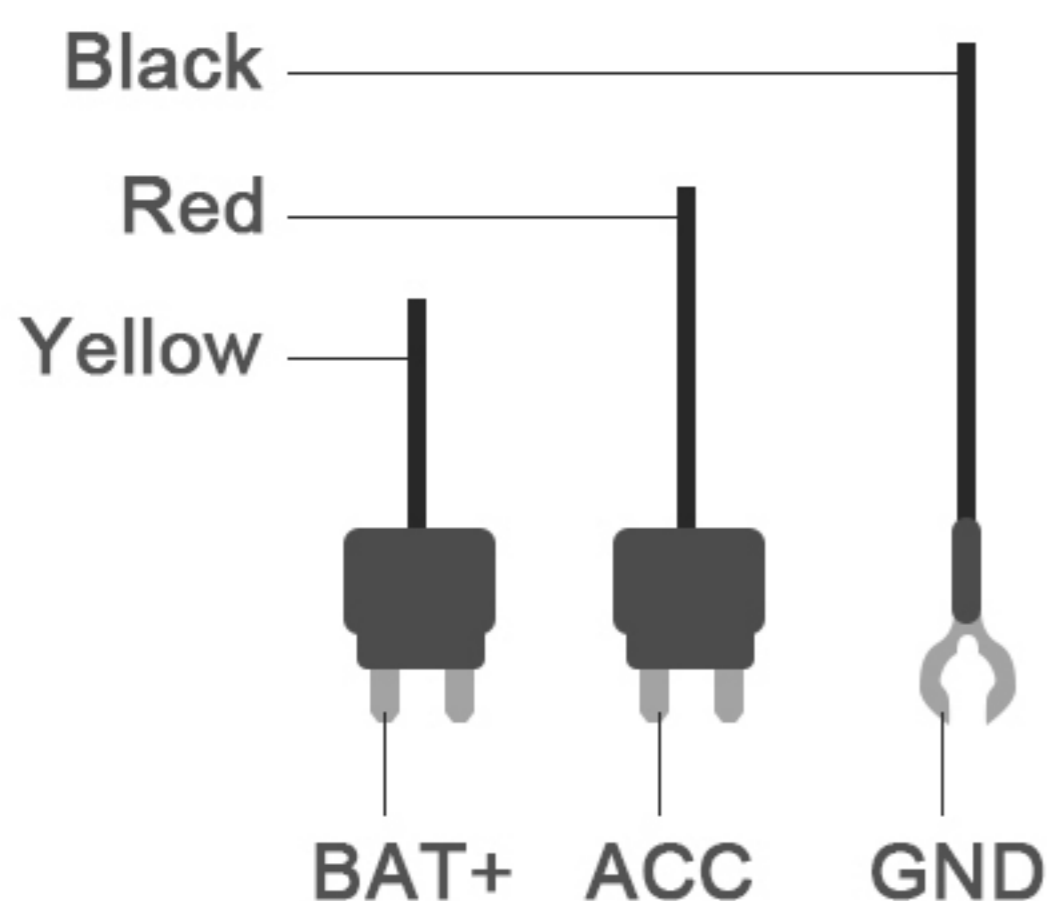
► Installation

① Scan the QR code on the cover or open More on the App to watch the installation tutorial.

② Do not start the engine or leave the car switched on when installing, otherwise the car may display error codes.

③ If you encounter difficulties during installation, please contact us; our contact information is available on the last page of the manual and in More on the main menu of the App. We will solve any problems for you. Due to the time difference, please be aware that the reply may not be immediate.

④ After installation, check whether the lens still has its protective film, if so, it needs to be removed.



⑤ If you buy the Fuse Box power take-off version, it is recommended to have a professional to install it.

The red wire is connected to the ACC (the fuse that has power when the car is running and no power when it is turned off).

The yellow wire is connected to the BAT+ (a fuse that has power when the car is running and also has power when it is turned off).

The black wire is connected to the GND (metal screw connected to the car body).

► Wi-Fi

Step 1 After installing the camera, please start the car, and the camera light will come on.

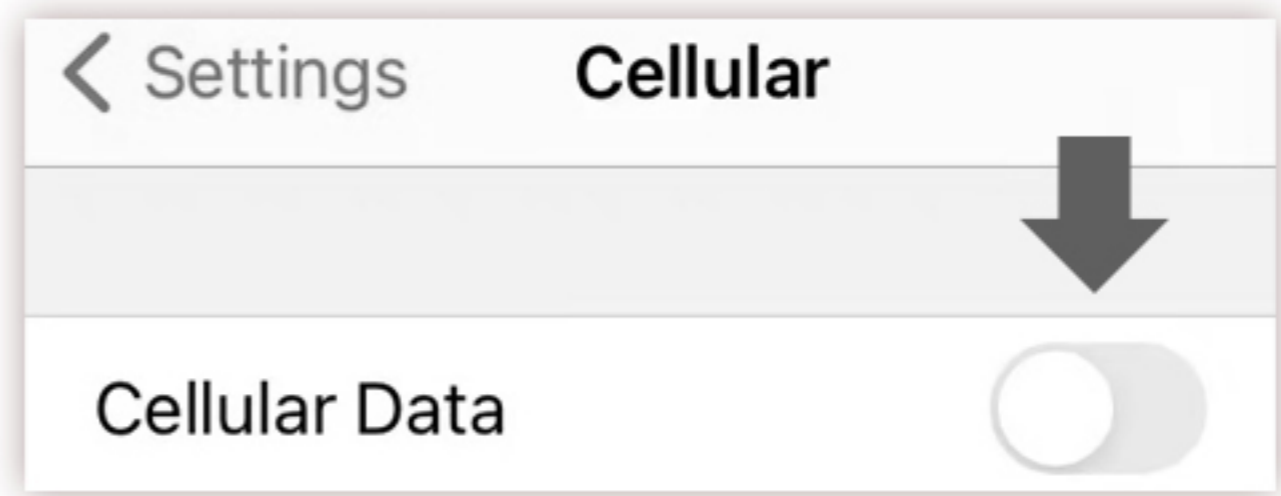
Step 2 Open the phone settings->Search WiFi.
WiFi name: CAR / LHD / CARDV_XXXXXXXX
Password: 12345678

Step 3 After connecting to the WiFi, return to FITCAMX App, click Access Camera.

Connection Succeeded

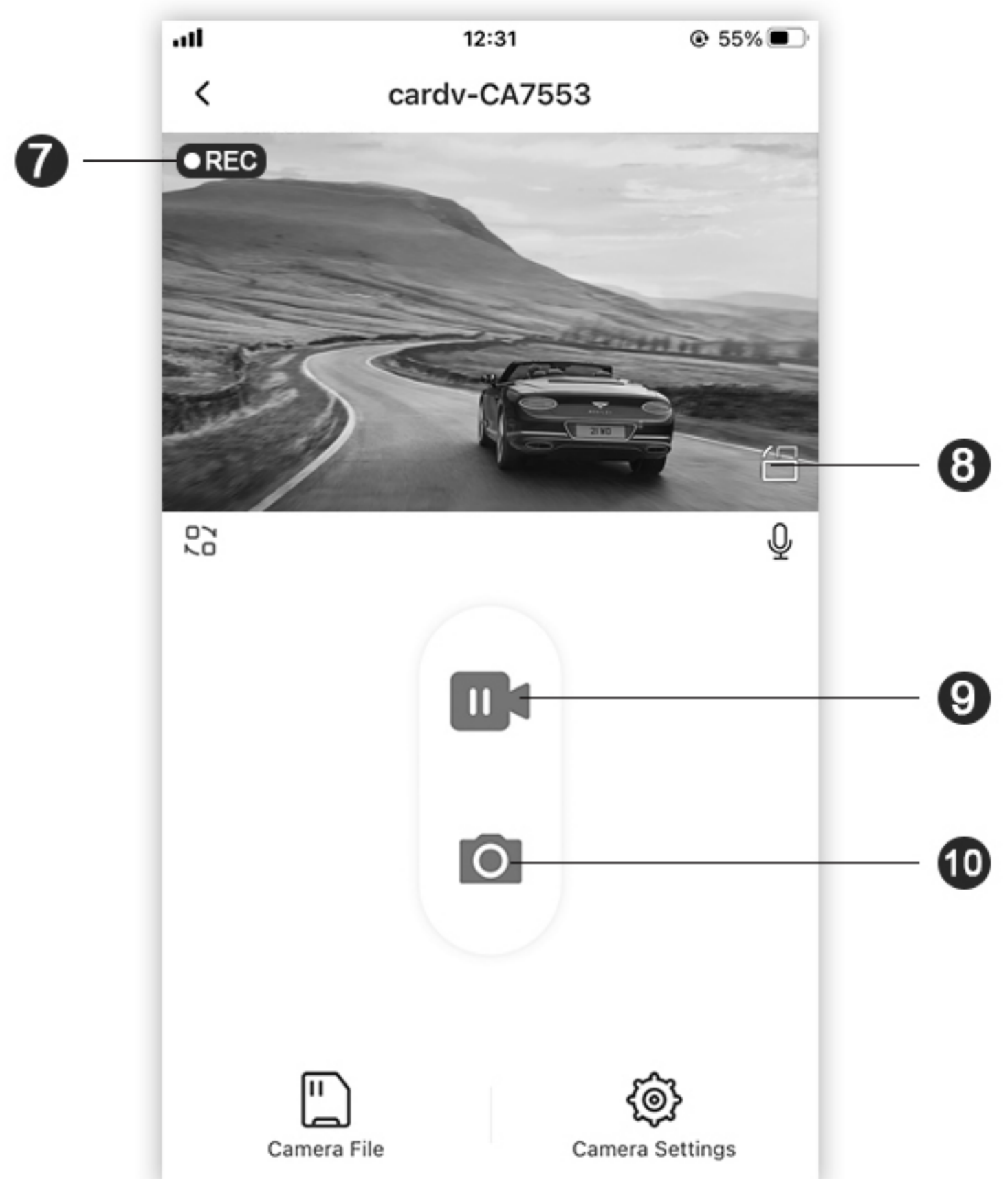
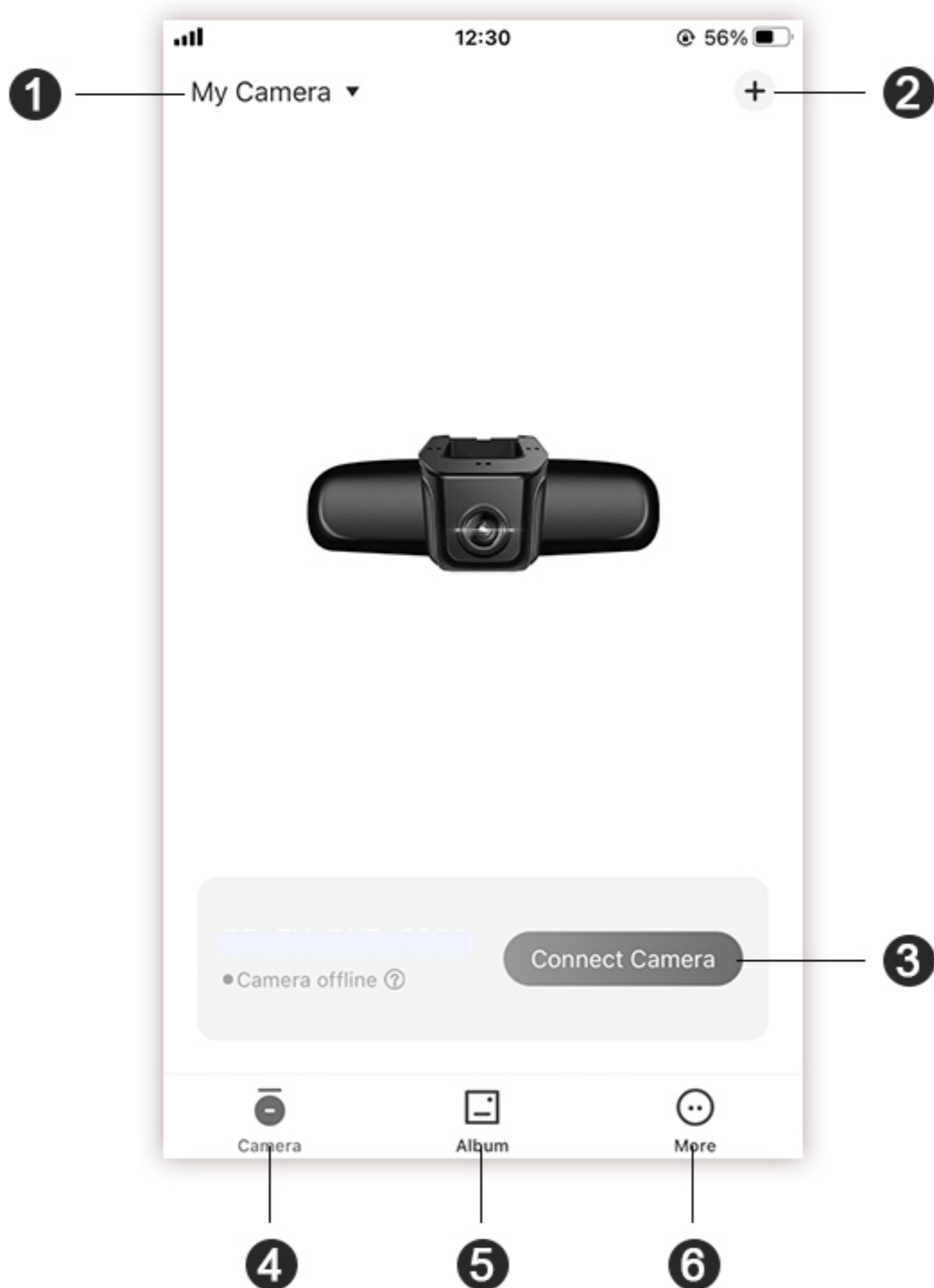


* Note, if App does not show a live camera preview, please turn off the Mobile Data/Cellular Data in the phone settings, and then reconnect to the WiFi. If the preview is normal, there is no need to turn off.



► Introduction to the App menu

- | | |
|--|---|
| <ul style="list-style-type: none">① My camera② Add a new camera③ Access camera④ Camera main menu⑤ Album⑥ More | <ul style="list-style-type: none">⑦ Video status⑧ Full screen⑨ Video start/video pause⑩ Take picture |
|--|---|
- (Settings/Feedback/Installation/Customer Service)



► Introduction to basic functions



G-Sensor (Collision Sensing)

During driving, if the car has a collision, the camera will automatically lock the video.

Parking Mode



When parking, once the car is subjected to a strong collision, the camera will automatically turn on to record a video and lock it. This function is available only when the camera is powered through the fuse box or OBD (Hardwire Kit). Some models also have this feature when powered from the rain fall sensor or the interior light. It depends on whether the source from which the power is drawn provides continuous power when the car is parked.

Format SD Card



Format the memory card the first time you use the camera. It is recommended that you format the memory card every 2-3 months and deleting locked videos. If formatting the memory card on a computer, please select the Fat32 or exFat format.



Loop Record

The camera will automatically save the video in a loop. When the memory card is full, the camera will automatically delete the oldest video.

► Frequently Asked Questions, Problems and Solutions:

Problem:

Apple iPhone connection failed

Solution:

- 1 First, turn off the Cellular Data of the phone settings, and then connect to WiFi.
- 2 If the phone is connected to the car's CarPlay, you need to turn off the Bluetooth, and then connect the camera WiFi.
- 3 Check whether the album and network permissions of the App have been opened. (*Album permission is only used to save videos and pictures recorded by the camera into the phone album).

Problem:

Android phone connection failure

Solution:

- 1 After connecting to the camera WiFi, your phone may prompt that you can't access the Internet, please click "Keep Wlan Connection".
- 2 Close Mobile Data first and then connect to WiFi.

Problem:

App cannot save settings (default settings are restored after reboot)

Solution:

After setting the App, please press and hold the power button of the camera to turn off the camera, then press the power button briefly to turn on the camera.

Problem:

APP video file is empty, no video is loaded.

Solution:

- 1 Please open the App settings to format the memory card and then record the video.
- 2 If the App album still has no video, please insert the memory card into a computer, check whether the memory card is damaged, or not compatible with the camera, if so you need to replace the memory card.
- 3 It is recommended to use Class10 specification SanDisk/KIOXIA/Samsung memory cards of 32GB or 64GB capacity. (Maximum size supported is 128GB)

Question:

Why doesn't my computer play the videos? Or why is the playback video not smooth?

Solution:

- ① We recommend the use of PotPlayer and KMplayer players.
- ② If the computer configuration is too low, it may cause the playback to not be smooth, especially for H.265 format and 4K resolution videos.

Question:

Why can't you connect 2 phones at the same time?

Solution:

WiFi only supports connecting one phone at the same time; if another phone needs to be connected, you must first disconnect the WiFi of the first phone.

Question:

Why is the timestamp of the video wrong, or there is no recorded video during some time periods, or there is video when the phone is connected, but no video when the phone is not connected?

Solution:

Please check if the timestamp error is caused by a complete power failure of the camera. After car repair, maintenance or battery replacement, you need to reconnect the camera's WiFi with your phone to synchronize the camera's time with your phone's time. Please regularly check that the camera is working properly.

Question:

What should I do if I forget the WiFi name or password?

Solution:

Press and hold the camera key for 20 seconds, or use a paperclip to press the reset button.

Question:

Do I need to connect the camera WiFi and open the App every time I drive?

Solution:

No need, the camera is automatically turned on and off. The camera will automatically turn on when the car is on and turn off when the car is off.

Question:

What should I do if I can't find the WiFi?

Solution:

- ① First, remove the memory card and then search for WiFi, because memory card failure will cause the camera to have no WiFi.
- ② Press and hold the camera button for 20 seconds, or use a paper clip to press the reset button. Restore factory settings.
- ③ Check whether the camera's light is always on. If there is no light, it means there is no power supply, then there will be no WiFi.

For any other questions, please contact us.

Email/WhatsApp/WeChat to contact us.

Check the page 2 of the manual and inside More on the App.

▶ Warranty Policy

- ① We provide a one-year warranty (from the date of receipt of the goods).
- ② If the product malfunctions, please contact us immediately and provide us with photos and the order number to verify the situation. If we can't solve the problem, we will provide you with an exchange or repair service.
- ③ Damage caused to the device by someone is not covered by the warranty.
- ④ For repairs after the 1 year warranty period has finished, you need to pay for the parts and shipping costs.

▶ Politica di garanzia

- ① Forniamo una garanzia di un anno (dalla data di ricevimento della merce).
- ② Se il prodotto funziona male, contattaci immediatamente e forniscici le foto e il numero d'ordine per verificare la situazione. Se non possiamo risolvere il problema, ti forniremo un servizio di scambio o riparazione.
- ③ I danni causati al dispositivo da qualcuno non sono coperti dalla garanzia.
- ④ Per le riparazioni dopo che il periodo di garanzia di 1 anno è finito, è necessario pagare le parti e le spese di spedizione.

▶ Garantiebestimmungen

- ① Wir gewähren eine einjährige Garantie (ab dem Datum des Erhalts der Ware).
- ② Wenn das Produkt nicht funktioniert, kontaktieren Sie uns bitte sofort und stellen Sie uns Fotos und die Bestellnummer zur Verfügung, um die Situation zu überprüfen. Wenn wir das Problem nicht lösen können, bieten wir Ihnen einen Austausch- oder Reparaturservice an.
- ③ Schäden am Gerät, die von Dritten verursacht wurden, sind nicht von der Garantie abgedeckt.
- ④ Bei Reparaturen nach Ablauf der 1-Jahres-Garantie müssen Sie für die Teile und die Versandkosten aufkommen.

▶ Política de garantía

- ① Proporcionamos una garantía de un año (desde la fecha de recepción de la mercancía).
- ② Si el producto funciona mal, póngase en contacto con nosotros inmediatamente y proporciónenos fotos y el número de pedido para verificar la situación. Si no podemos resolver el problema, le proporcionaremos un servicio de cambio o reparación.
- ③ Los daños causados al dispositivo por alguien no están cubiertos por la garantía.
- ④ Para las reparaciones una vez finalizado el periodo de garantía de 1 año, deberá pagar las piezas y los gastos de envío.

▶ Politique de garantie

- ① Nous offrons une garantie d'un an (à compter de la date de réception des marchandises).
- ② Si le produit fonctionne mal, veuillez nous contacter immédiatement et nous fournir des photos et le numéro de commande pour vérifier la situation. Si nous ne pouvons pas résoudre le problème, nous vous fournirons un service d'échange ou de réparation.
- ③ Les dommages causés à l'appareil par quelqu'un ne sont pas couverts par la garantie.
- ④ Pour les réparations après la fin de la période de garantie de 1 an, vous devez payer les pièces et les frais d'expédition.

▶ 保証ポリシー

- ① 1年間の保証を提供します（商品の受領日から計算）。
- ② 製品が故障した場合は、すぐにご連絡いただき、写真と注文番号をお知らせください。問題が解決しない場合は、交換または修理サービスを提供します。
- ③ 人為的な損傷は保証の対象外です。
- ④ 保証期間が1年を超える場合は、部品代と送料を支払う必要があります。

▶ Гарантийная политика

- ① Мы предоставляем гарантию сроком на один год (с момента получения товара).
- ② Если продукт неисправен, немедленно свяжитесь с нами и предоставьте нам фотографии и номер заказа, чтобы разобраться в ситуации. Если мы не сможем решить проблему, то предоставим вам услугу обмена или ремонта.
- ③ Гарантия не распространяется на повреждения, причиненные устройству кем-либо.
- ④ Для ремонта по истечении 1-летнего гарантийного срока вам необходимо будет оплатить детали и стоимость доставки.

Contact us for help



WhatsApp



WeChat



Line



info@fitcamx.com
fitcam3366@gmail.com

Due to the time difference,
it may not be able to reply quickly, please understand

Follow us



@fitcamx



@fitcamx_official



@fitcamx



@fitcamx

www.fitcamx.com



RoHS

