

IC FORD 165

Technical Sheet

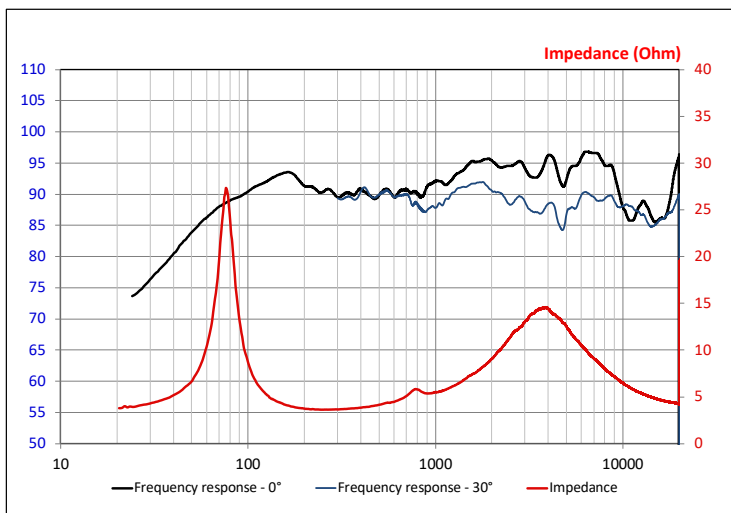
Coaxial speaker



SPECIFICATIONS

Nominal power	60W
Maximum power	120W
Sensitivity	92.5dB
Nom. impedance	4Ω
Cone	Black Polyglass
Surround	Butyl
DC resistance	3.5Ω
VC diameter	25mm 1"
Former	Kapton
Layers	2
Wire	Copper
Net weight	900g 1.98lbs

FREQUENCY RESPONSE/IMPEDANCE

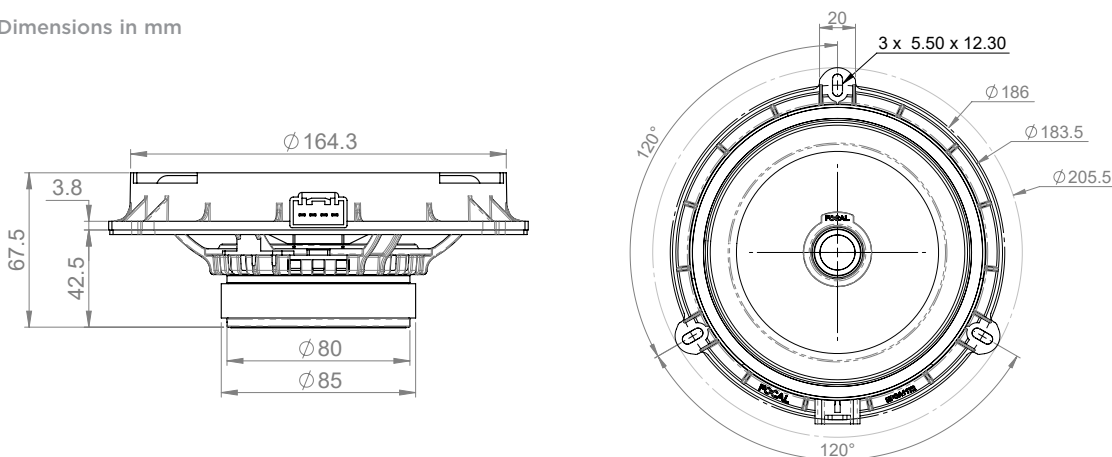


PARAMETERS

Rdc	3.43Ω
Fs	77.9Hz
Mms	12.5g
Cms	0.334mm/N
Vas	8.84l
Qts	0.695
Qes	0.799
Qms	5.33
Bxl	5.13N/A
Sd	136.85cm ²
SPL	89.5dB
Xmax	3.5mm

MECHANICAL DRAWING

Dimensions in mm



FOCAL® INSIDE

Focal® is a trademark of Focal-JMLab® - www.focal.com - SCAA200505/1

FOCAL®
LISTEN BEYOND