

IC TOY 165

Technical Sheet

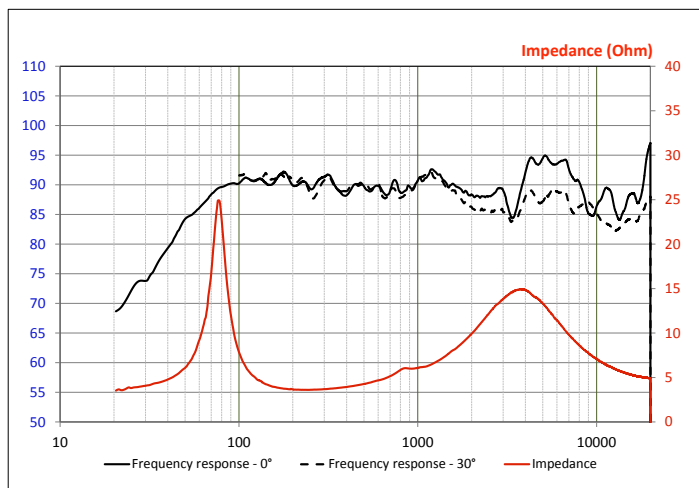
Woofer



SPECIFICATIONS

Nominal power	60 W
Maximum power	120 W
Sensitivity	92.5dB
Nom. impedance	4 Ω
Cone	Black Polyglass
Surround	Butyl
DC resistance	3.3 Ω
VC diameter	25 mm 1"
Former	Kapton
Layers	2
Wire	Copper
Magnet d x h	85x15mm 3 3/8 x 3/16"
Net weight	950g 2.1lbs

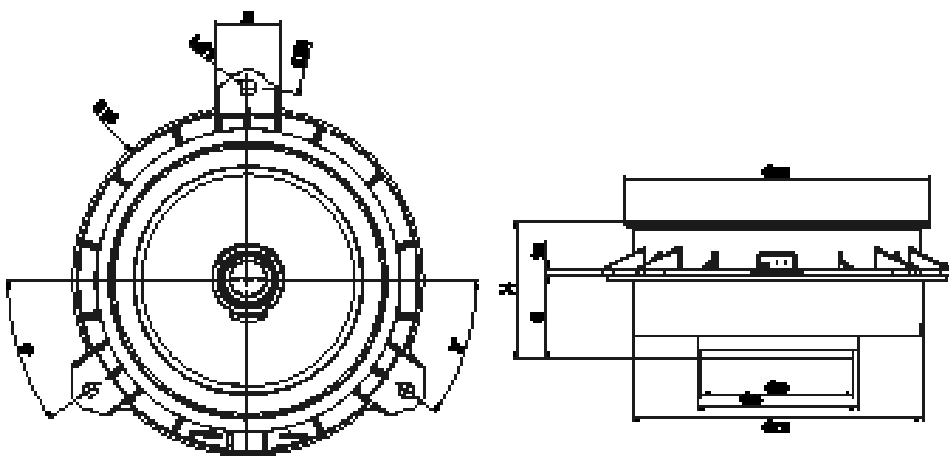
FREQUENCY RESPONSE/IMPEDANCE



PARAMETERS

Rdc	3.3 Ω
Fs	75 Hz
Mms	13.1 g
Cms	0.34 mm/N
Vas	9.86L
Qts	0,8
Qes	0,92
Qms	6,397
Bxl	4.7N/A
Sd	136.85 cm ²
SPL	88dB
Xmax	3mm

MECHANICAL DRAWING



FOCAL[®] INSIDE

Focal[®] is a trademark of Focal-JMLab[®] - www.focal.com - SCAA190919/1

FOCAL[®]
LISTEN BEYOND