

IS VW 165

Technical Sheet

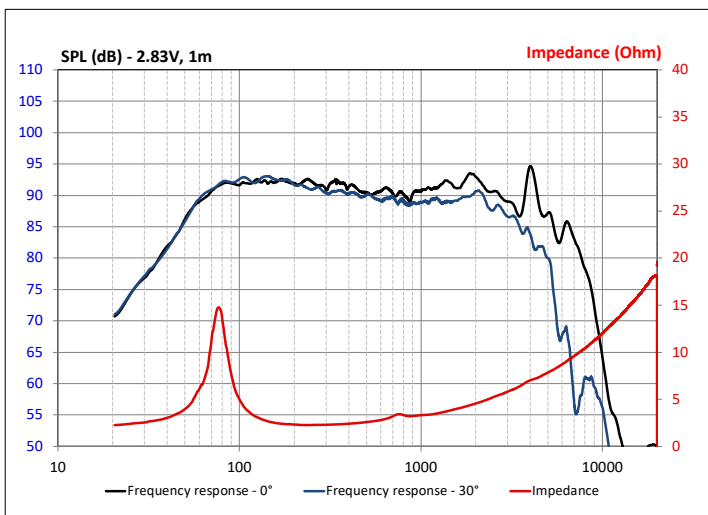
Woofer



SPECIFICATIONS

Nominal power	60W
Maximum power	120W
Sensitivity	93.7dB
Nom. impedance	2 Ω
Cone	Black Polyglass
Surround	Butyl
DC resistance	2.08 Ω
VC diameter	25mm 1"
Former	Kapton
Layers	2
Wire	Copper
Net weight	900g 1.98 lbs

FREQUENCY RESPONSE/IMPEDANCE

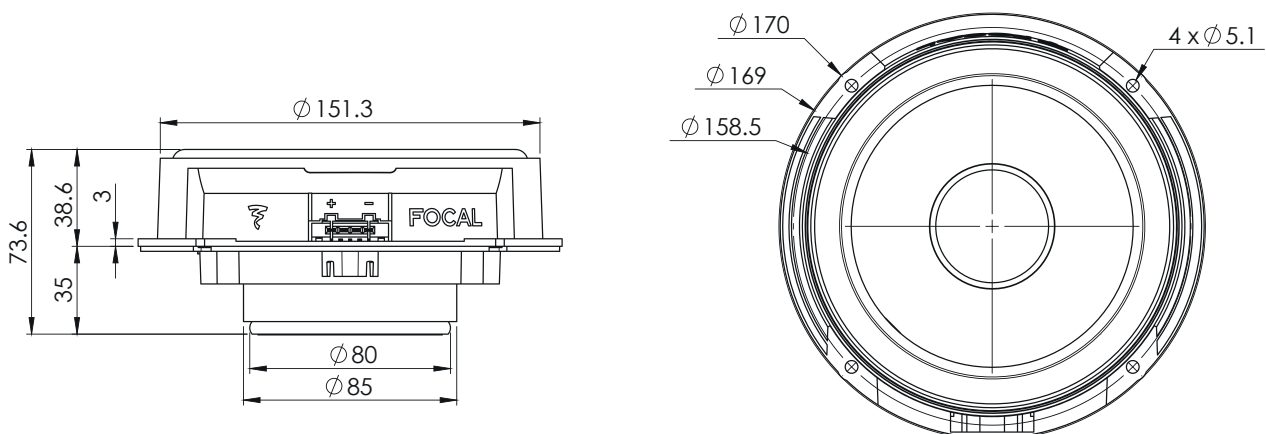


PARAMETERS

Rdc	2.08 Ω
Fs	77.7Hz
Mms	16.7g
Cms	0.25mm/N
Vas	6.65 l
Qts	0.8
Qes	0.919
Qms	6.2
Bxl	4.3N/A
Sd	136.85cm ²
SPL	87.7dB
Xmax	7mm

MECHANICAL DRAWING

Dimensions in mm



FOCAL® INSIDE

Focal® is a trademark of Focal-JMLab® - www.focal.com - SCCG - 09/11/2020 - v1

FOCAL®