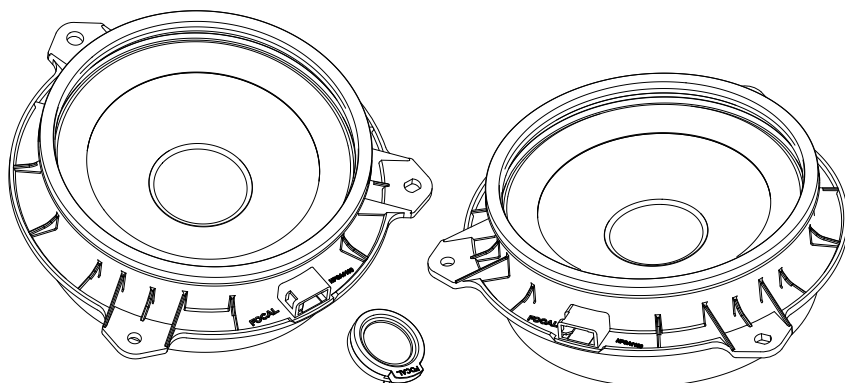


# INTEGRATION PLUG&PLAY IS 165TOY

User manual /Manuel d'utilisation



English page 3  
Français page 6

# IS 165TOY PLUG&PLAY INTEGRATION

## User manual

English version

**Thank you for choosing integration component kits and for sharing our passion for the “Spirit of Sound”. Designed using the latest technology, these speakers integrate Focal’s perfectionist believes, developing products with high power handling and unrivalled sound quality. To obtain the best results from this product, we recommend that you follow carefully all the information contained in this user’s manual and keep it carefully for future reference. If not correctly followed, any fault observed may not be covered by the guarantee.**

### Warning

Continuous listening at high sound level (above 110dB) can durably damage your hearing.  
Short listening above 130dB can damage your hearing permanently.

**The Focal guarantee only applies if the enclosed guarantee card is returned to us within 10 days of purchase.**

### Important recommendations

Before attempting any installation, check first how much space is available to fit the speakers into the vehicle (Cf plans on the packaging), then proceed with the cutting. In the case of assembly in original location, check that there is enough space between the speaker and the protection grille.

- Ensure the speaker is clean from debris and metallic particles that maybe attached (especially after drilling).
- Clean before mounting the speakers.

### Conditions of guarantee

All Focal loudspeakers are covered by guarantee drawn up by the official Focal distributor in your country. Your distributor can provide all details concerning the conditions of guarantee. Guarantee cover extends at least to that granted by the legal guarantee in force in the country where the original purchase invoice was issued.



Your Focal-JMlab product was developed and manufactured with high-quality materials and components which can be recycled and/or re-used. This symbol indicates that electrical and electronic equipment must be disposed of separately from normal garbage at the end of its operational lifetime. Please dispose of this product by bringing it to your local collection point or recycling centre for such equipment. This will help to protect the environment in which we all live.

Due to constant technological advances, Focal reserves its right to modify specifications without notice. Images may not conform exactly to specific product..

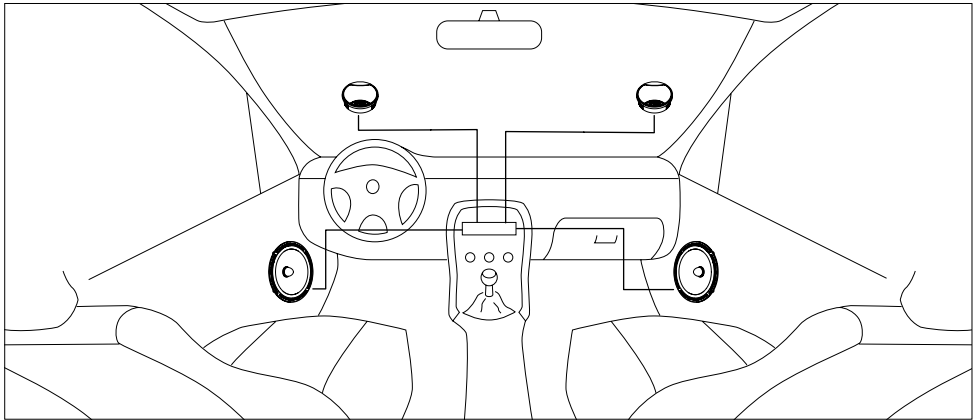
# IS 165TOY PLUG&PLAY INTEGRATION

## User manual

4

### IS 165TOY installation

- The components of this dedicated kit are compatible with this vehicle's original connectors and fixings.
- Take extreme care when installing, particularly when removing rivets from the speaker and when reassembling.
- Only the use of appropriate quality tools can guarantee optimal installation.
- Connectors are fragile electronic components. Handle with care.
- Follow these instructions correctly to ensure the proper functioning of the IS 165TOY kit.
- Before restarting your system, check your car radio settings (which differ according to the vehicle's model, version and engine).

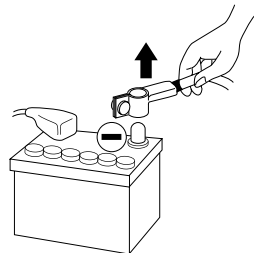


### WARNING

- Before beginning the installation, disconnect the negative terminal of the battery (*fig 1.*) to avoid any risk of injury, fire, material damage, or airbag deployment during you disconnect the plug under the seat.
- Do not leave the ignition key in the slot and do not involve nor the stop / start button or key on during intervention.

**In order to obtain the best results and safety installation (mentioned above) , we highly recommend you have your product installed by your local Focal dealer.**

fig. 1



# IS 165TOY PLUG&PLAY INTEGRATION

## User manual

5

### IS 165TOY kit

- 2x Plug&Play woofers (basket and connector same than TOYOTA® standard)
- 2x Tweeters: Compact size with TOYOTA® OEM connector. This tweeter needs an adaptation by glueing into factory housing (Pillar, plastic grille behind mirror or dashboard)

- This kit was developed for an installation in TOYOTA® group cars using this same standard of 2-way component systems



Drill out the original rivets (x3 per woofer) from the factory speaker



Assemble the Focal speaker using the rivets provided with the kit IS 165TOY



TOYOTA® factory woofer connector



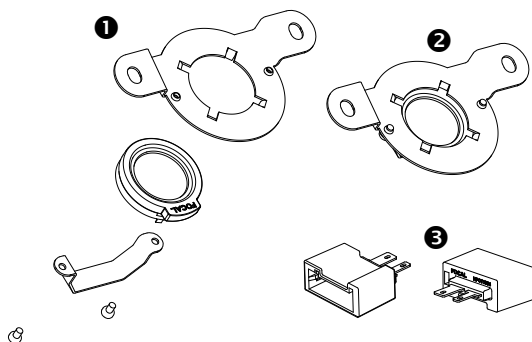
TOYOTA® factory connector plugged in the IS 165TOY speaker



TOYOTA® factory tweeter connector



TOYOTA® factory connector plugged in the IS 165TOY tweeter



1 Accessories for IS 165TOY tweeter (this accessory was developed for tweeter assembly in dashboard location: example in Prius).

2 Accessory + IS 165TOY tweeter assembled ready to be attached in location.

3 Connector for tweeter (this accessory is plugged to the IS 165TOY tweeter wire)



**Connector and attachment can be different according to country, model, years of vehicle...In case of doubt please contact the nearest Focal dealer.**