

FLAX EVO P 25 FSE

Technical Sheet

10" subwoofer

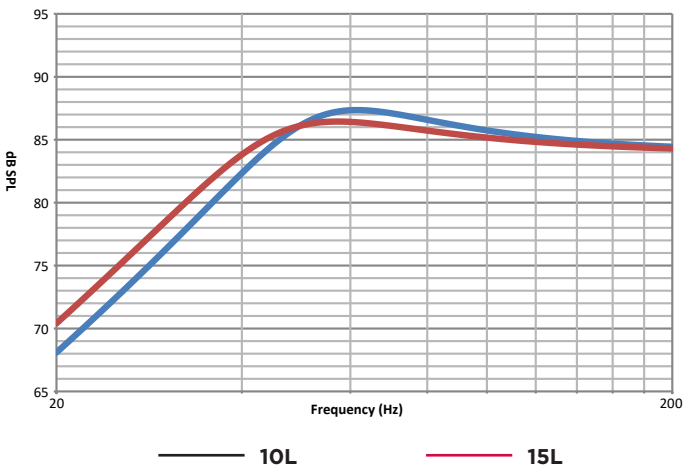


SPECIFICATIONS

Nominal power	280W RMS	
Maximum power	560W	
Sensitivity (2.83V/1m)	87dB	
Cone	Flax	
Surround	Rubber	
Nom. impedance	4Ω	
DC resistance	3.2Ω	
VC diameter	38mm	1.5"
Former	Glass fiber	
Layers	4	
Wire	Copper	
Net weight	3.5kg	7.7lbs
Driver Displacement	2l	0.07cu.ft.

FREQUENCY RESPONSE/IMPEDANCE

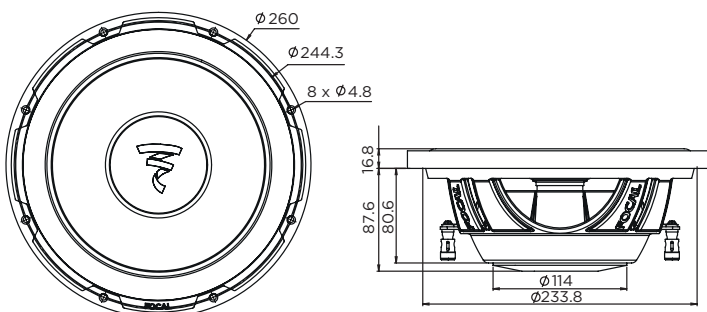
Sealed enclosure



PARAMETERS

Rdc	3.2Ω
Fs	30Hz
Mms	190g
Cms	0.15mm/N
Vas	25l
Qts	0.78
Qes	0.95
Qms	5
Bxl	11.2N/A
Sd	346cm ²
SPL	84dB
Xmax	11mm

MECHANICAL DRAWING



SUGGESTED APPLICATION

Sealed enclosure

Volume	F-3 (Hz)
12L (0.42 cu.ft.)	37.5Hz
18L (0.64 cu.ft.)	34Hz