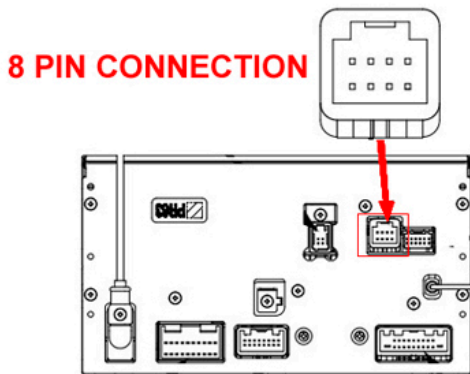


## 27-223

### Add a Camera to OEM Head Unit for Subaru 2008-2015

#### Installation diagram



#### 2 DIN Kenwood Navi Monitor

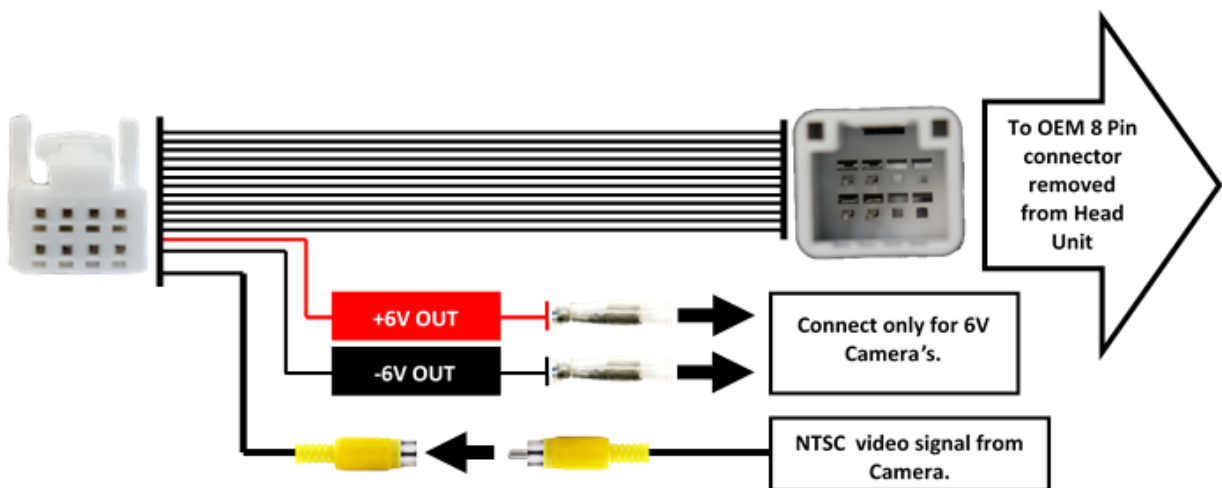


#### With 4.3" Subaru Monitor



#### Monitor Models

CM631UD  
 CP635U1  
 CP435L1 —  
 CP335R1  
 CP235K1  
 CM631UD



1. **Ensure the vehicle's ignition is off and the key has been removed.**
2. Remove the standard Head Unit with reference to the manufacturer's instructions.
3. Disconnect the 8-pin from the rear of the Head Unit.
4. Connect the 8-pin female connector of **27-223** to the connector just removed from the Head Unit.
5. Connect the male 8-pin of **27-223** connector to the Head Unit.
6. **Only connect the red and black 6V wires to the camera if it needs a 6V power supply.**
7. Connect the Yellow Phono connector from the camera to the Phono input on **27-223**.
8. Test the camera fully before re-installing the Head Unit