



47KSS Installation Guide

TABLE OF CONTENTS

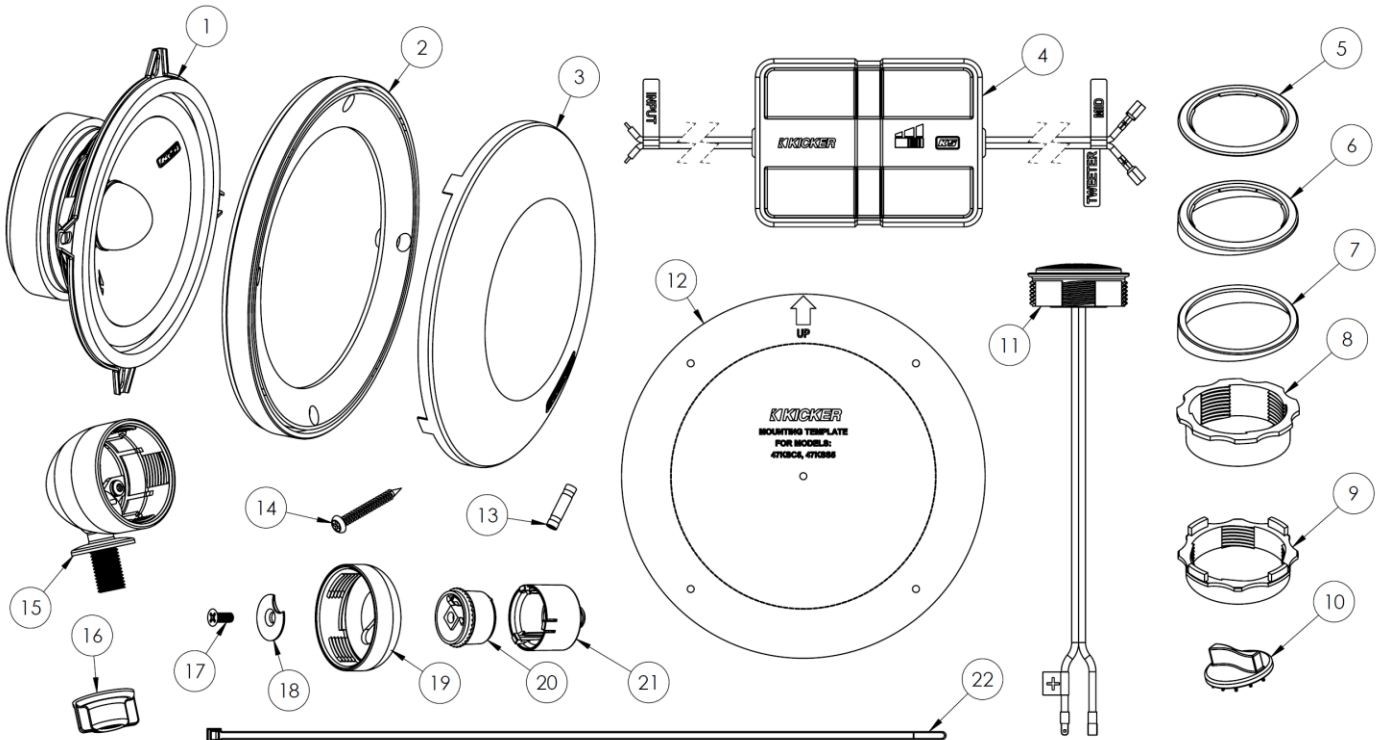
Parts Lists	2
Coaxial Mounting the Tweeter	7
Pod Mounting the Tweeter	12
Flush Mounting the Tweeter	14
Angular Mounting the Tweeter	16
Mounting KSS Speakers	17
Mounting the KSS6504 or KSS6504 with the Adapter	20
Mounting the KSS6904 with the Adapter	23
Wiring the KSS Speakers and Crossovers	26

**READ AND UNDERSTAND ALL OF THESE INSTRUCTIONS BEFORE
INSTALLATION!**



PARTS LIST – 47KSS504

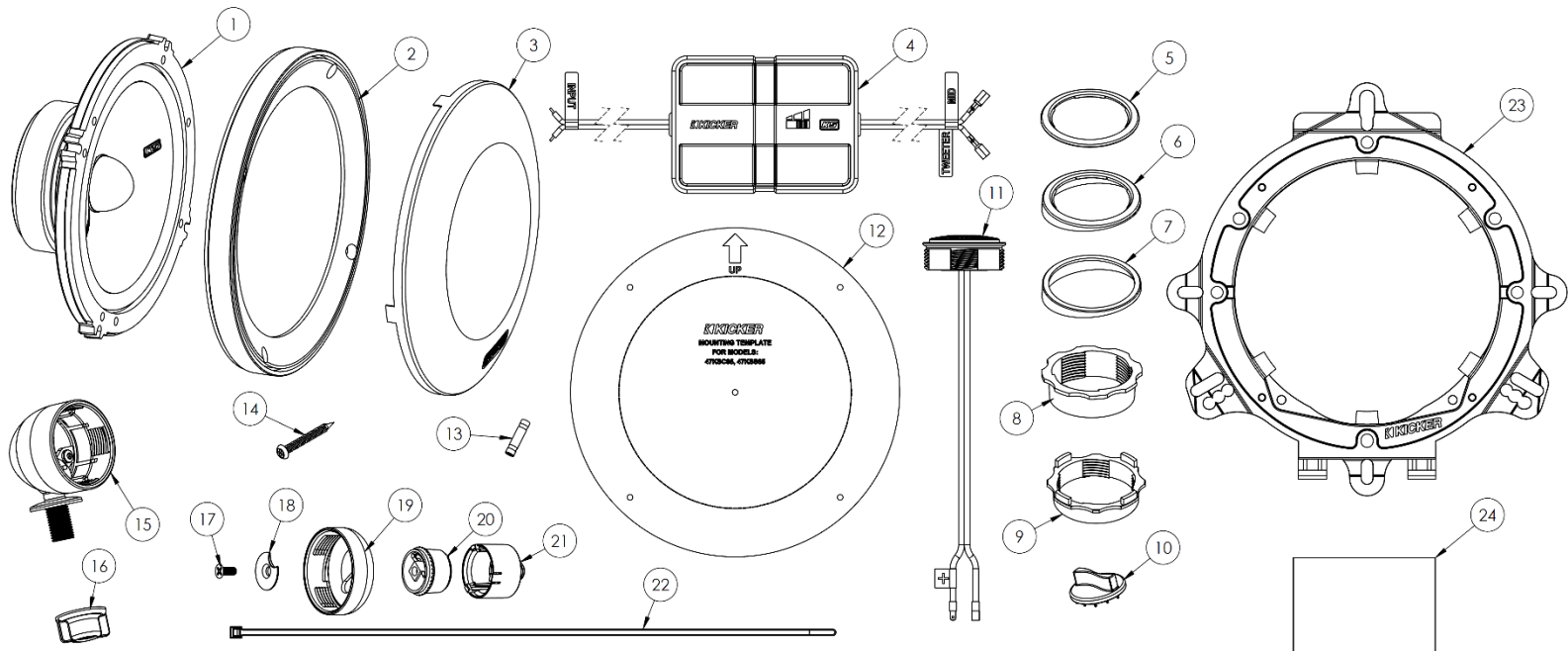
ITEM NO.	DESCRIPTION	QTY.
1	5.25" KSS WOOFER	2
2	5.25" KSS GRILLE BEZEL	2
3	5.25" KSS GRILLE	2
4	KSS SYSTEM PACK CROSSOVER	2
5	FLUSH MOUNT TWEETER RING	2
6	UPPER ANGLE TWEETER RING	2
7	LOWER ANGLE TWEETER RING	2
8	ANGLE MOUNT TWEETER NUT	2
9	FLUSH MOUNT TWEETER NUT	2
10	TWEETER TIGHTENING TOOL	2
11	1" KST TWEETER	2
12	5.25" KS MOUNTING TEMPLATE	2
13	BUTT CONNECTOR	4
14	MOUNTING SCREW	12
15	TWEETER POD	2
16	TWEETER POD WING NUT	2
17	TWEETER POST SCREW	2
18	SWIVEL WASHER	2
19	TWEETER HOUSE	2
20	UPPER TWEETER POST	2
21	LOWER TWEETER POST	2
22	CABLE TIE	2
23	BLACK ADHESIVE FOR SECURING GRILLE (NOT SHOWN)	2





PARTS LIST – 47KSS6504

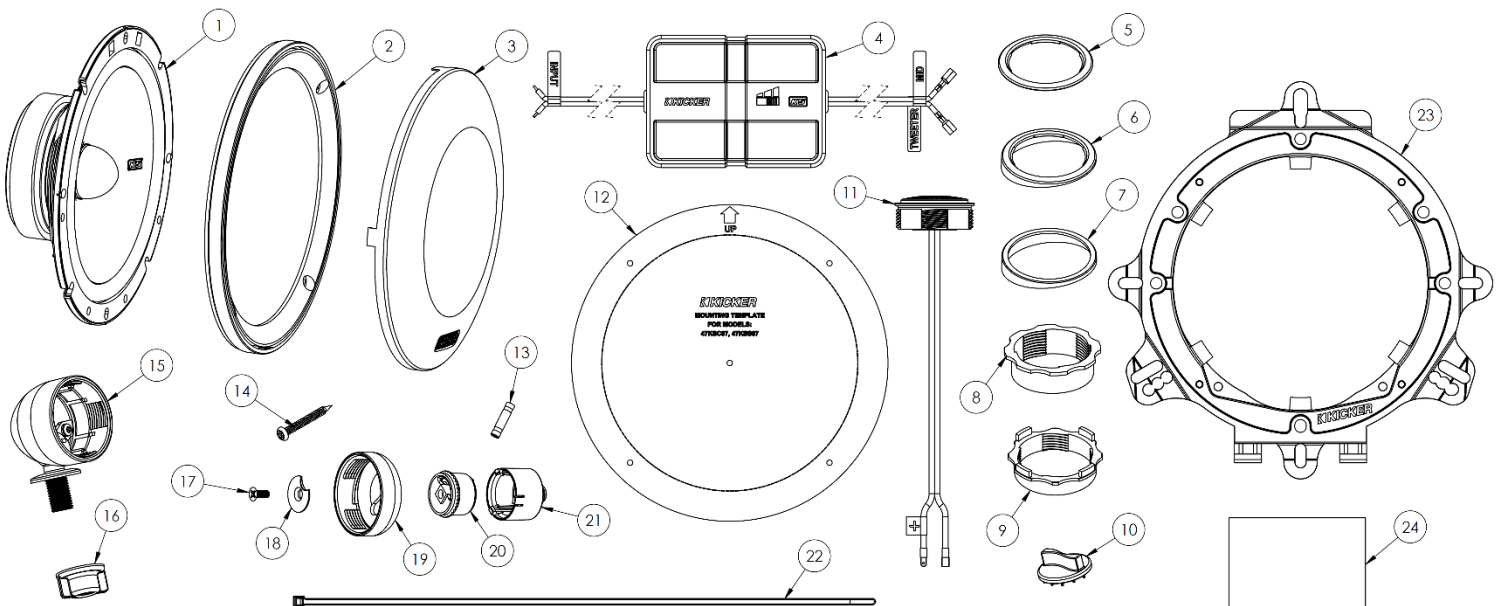
ITEM NO.	DESCRIPTION	QTY.
1	6.5" KSS WOOFER	2
2	6.5" KSS GRILLE BEZEL	2
3	6.5" KSS GRILLE	2
4	KSS SYSTEM PACK CROSSOVER	2
5	FLUSH MOUNT TWEETER RING	2
6	UPPER ANGLE TWEETER RING	2
7	LOWER ANGLE TWEETER RING	2
8	ANGLE MOUNT TWEETER NUT	2
9	FLUSH MOUNT TWEETER NUT	2
10	TWEETER TIGHTENING TOOL	2
11	1" KST TWEETER	2
12	6.5" KS MOUNTING TEMPLATE	2
13	BUTT CONNECTOR	4
14	MOUNTING SCREW	12
15	TWEETER POD	2
16	TWEETER POD WING NUT	2
17	TWEETER POST SCREW	2
18	SWIVEL WASHER	2
19	TWEETER HOUSE	2
20	UPPER TWEETER POST	2
21	LOWER TWEETER POST	2
22	CABLE TIE	2
23	6.5"/6.75" KS MOUNTING ADAPTER	2
24	FOAM DAMPENER FOR MOUNTING ADAPTER	2
25	BLACK ADHESIVE FOR SECURING GRILLE (NOT SHOWN)	2





PARTS LIST – 47KSS6704

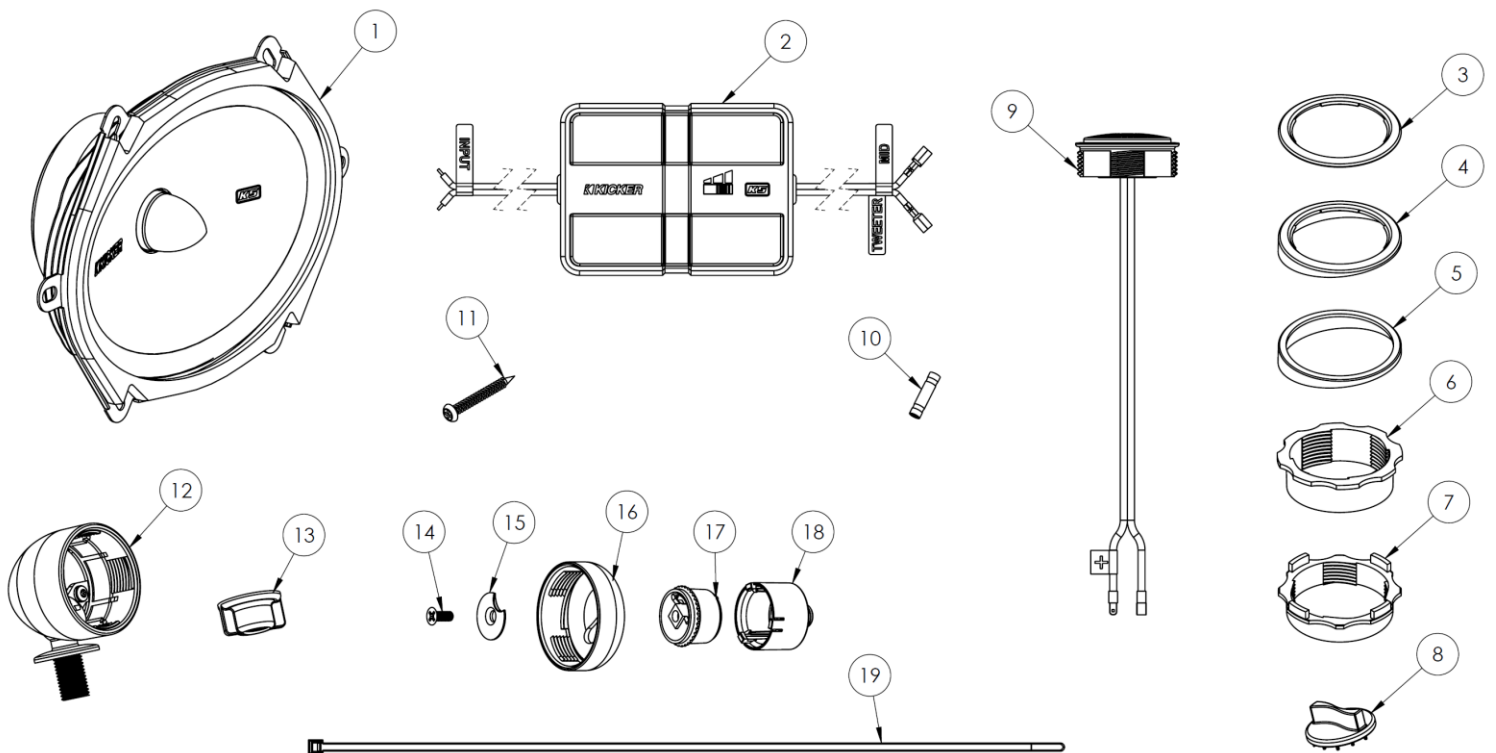
ITEM NO.	DESCRIPTION	QTY.
1	6.75" KSS WOOFER	2
2	6.75" KSS GRILLE BEZEL	2
3	6.75" KSS GRILLE	2
4	KSS SYSTEM PACK CROSSOVER	2
5	FLUSH MOUNT TWEETER RING	2
6	UPPER ANGLE TWEETER RING	2
7	LOWER ANGLE TWEETER RING	2
8	ANGLE MOUNT TWEETER NUT	2
9	FLUSH MOUNT TWEETER NUT	2
10	TWEETER TIGHTENING TOOL	2
11	1" KST TWEETER	2
12	6.75" KS MOUNTING TEMPLATE	2
13	BUTT CONNECTOR	4
14	MOUNTING SCREW	12
15	TWEETER POD	2
16	TWEETER POD WING NUT	2
17	TWEETER POST SCREW	2
18	SWIVEL WASHER	2
19	TWEETER HOUSE	2
20	UPPER TWEETER POST	2
21	LOWER TWEETER POST	2
22	CABLE TIE	2
23	6.5"/6.75" KS MOUNTING ADAPTER	2
24	FOAM DAMPENER FOR MOUNTING ADAPTER	2
25	BLACK ADHESIVE FOR SECURING GRILLE (NOT SHOWN)	2





PARTS LIST – 47KSS6804

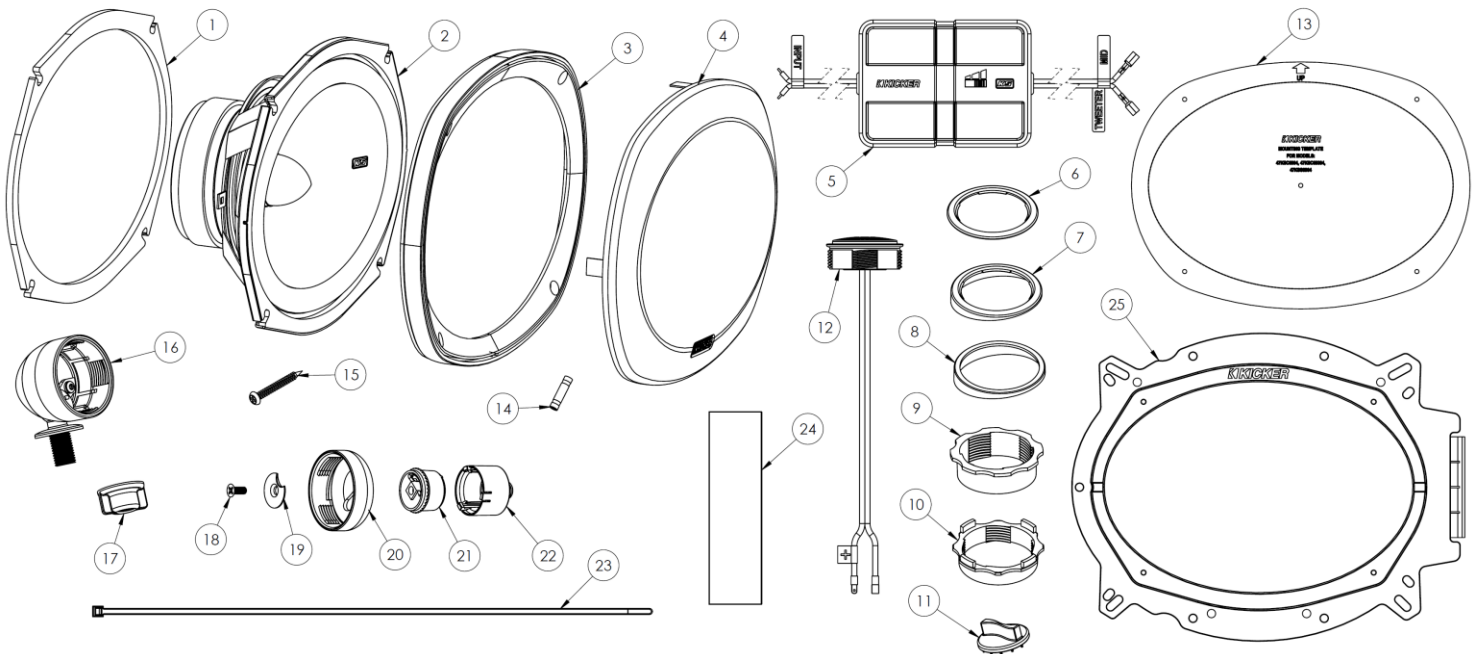
ITEM NO.	DESCRIPTION	QTY.
1	6"x8" KSS WOOFER	2
2	KSS SYSTEM PACK CROSSOVER	2
3	FLUSH MOUNT TWEETER RING	2
4	UPPER ANGLE TWEETER RING	2
5	LOWER ANGLE TWEETER RING	2
6	ANGLE MOUNT TWEETER NUT	2
7	FLUSH MOUNT TWEETER NUT	2
8	TWEETER TIGHTENING TOOL	2
9	1" KST TWEETER	2
10	BUTT CONNECTOR	4
11	MOUNTING SCREW	12
12	TWEETER POD	2
13	TWEETER POD WING NUT	2
14	TWEETER POST SCREW	2
15	SWIVEL WASHER	2
16	TWEETER HOUSE	2
17	UPPER TWEETER POST	2
18	LOWER TWEETER POST	2
19	CABLE TIE	2
20	BLACK ADHESIVE FOR SECURING GRILLE (NOT SHOWN)	2





PARTS LIST – 47KSS6904

ITEM NO.	DESCRIPTION	QTY.
1	6"x9" KS BACK SPACER	2
2	6"x9" KSS WOOFER	2
3	6"x9" KSS GRILLE BEZEL	2
4	6"x9" KSS GRILLE	2
5	KSS SYSTEM PACK CROSSOVER	2
6	FLUSH MOUNT TWEETER RING	2
7	UPPER ANGLE TWEETER RING	2
8	LOWER ANGLE TWEETER RING	2
9	ANGLE MOUNT TWEETER NUT	2
10	FLUSH MOUNT TWEETER NUT	2
11	TWEETER TIGHTENING TOOL	2
12	1" KST TWEETER	2
13	6"x9" KS MOUNTING TEMPLATE	2
14	BUTT CONNECTOR	4
15	MOUNTING SCREW	12
16	TWEETER POD	2
17	TWEETER POD WING NUT	2
18	TWEETER POST SCREW	2
19	SWIVEL WASHER	2
20	TWEETER HOUSE	2
21	UPPER TWEETER POST	2
22	LOWER TWEETER POST	2
23	CABLE TIE	2
24	FOAM DAMPENER FOR MOUNTING ADAPTER	2
25	6"x9" KS MOUNTING ADAPTER	2
26	BLACK ADHESIVE FOR SECURING GRILLE (NOT SHOWN)	2





Kicker KSS system-packs are made to replace and upgrade factory speakers. The speakers may also be placed in custom locations. A grille is provided with some speaker models for applications in older vehicles as well as custom locations. There are a total of four configurations that the KSS tweeter can be mounted to fit the customer's preferences.

- Coaxially in the speaker
- Remotely in the pod
- Remotely using the flush mounting system
- Remotely using the angular mounting system.

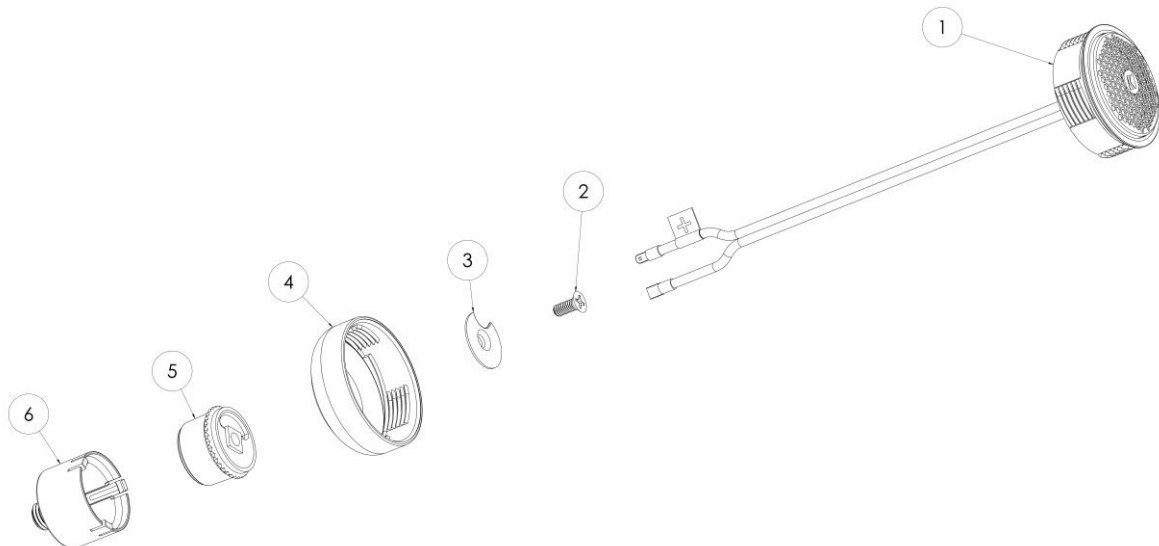
This document will address these configurations individually to provide insight into how these mounting systems are to be assembled for the following models.

- **47KSS504**
- **47KSS6504**
- **47KSS6704**
- **47KSS6804**
- **47KSS6904**

COAXIAL MOUNTING THE TWEETER

A total of six items are necessary to mount the tweeter coaxially with the woofer:

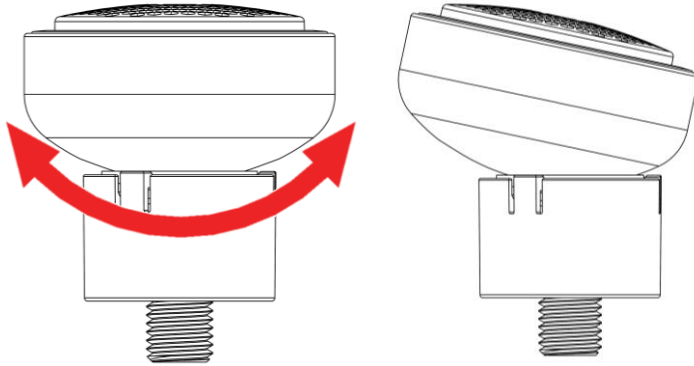
1. Tweeter
2. Screw
3. Pivot Washer
4. Tweeter House
5. Upper Tweeter Post
6. Lower Tweeter Post



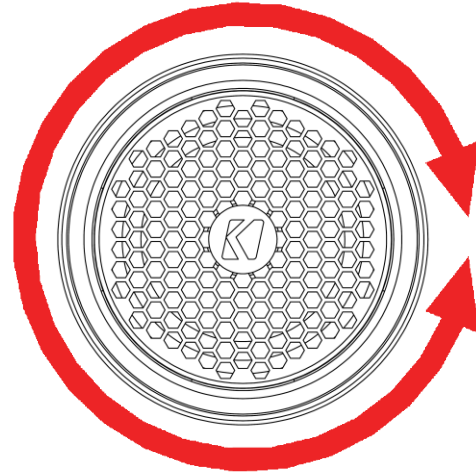


Coaxial mounting of the tweeter locates the tweeter in the center of the woofer. Using this system provides the customer with a coaxial speaker allowing the customer to manipulate the output direction of the tweeter. The tweeter house can pivot approximately 12 degrees perpendicular to the axis of the post. The tweeter house can also rotate approximately 360 degrees about the axis of the post. Pivoting of the tweeter house must take place during assembly. Rotation of the tweeter house can be manipulated any time after assembly.

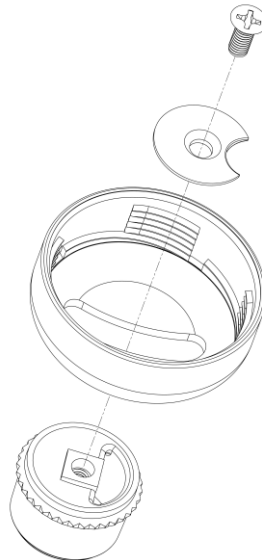
12 DEGREES OF PIVOT



360 DEGREES OF ROTATION

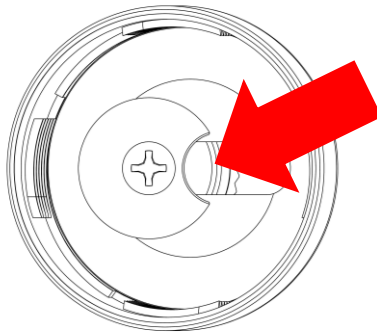


1. Thread screw through the pivot washer, tweeter house, and upper tweeter post. Do not tighten screw at this time.

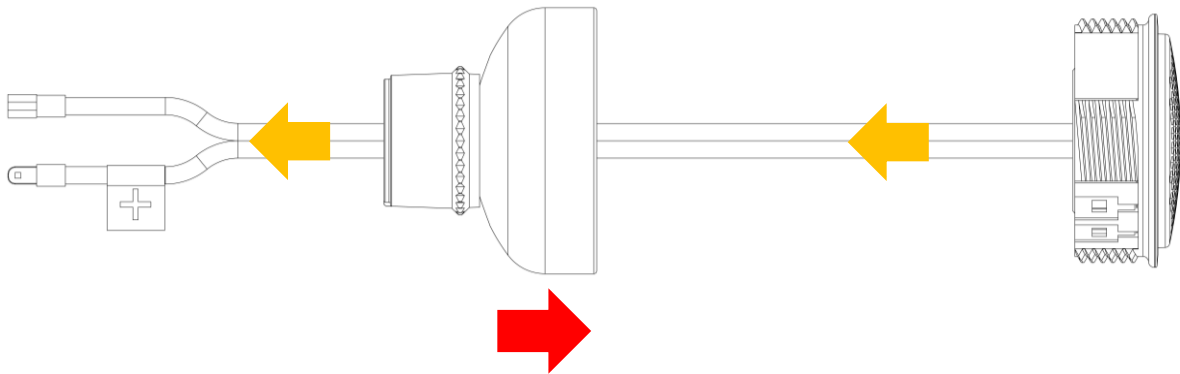




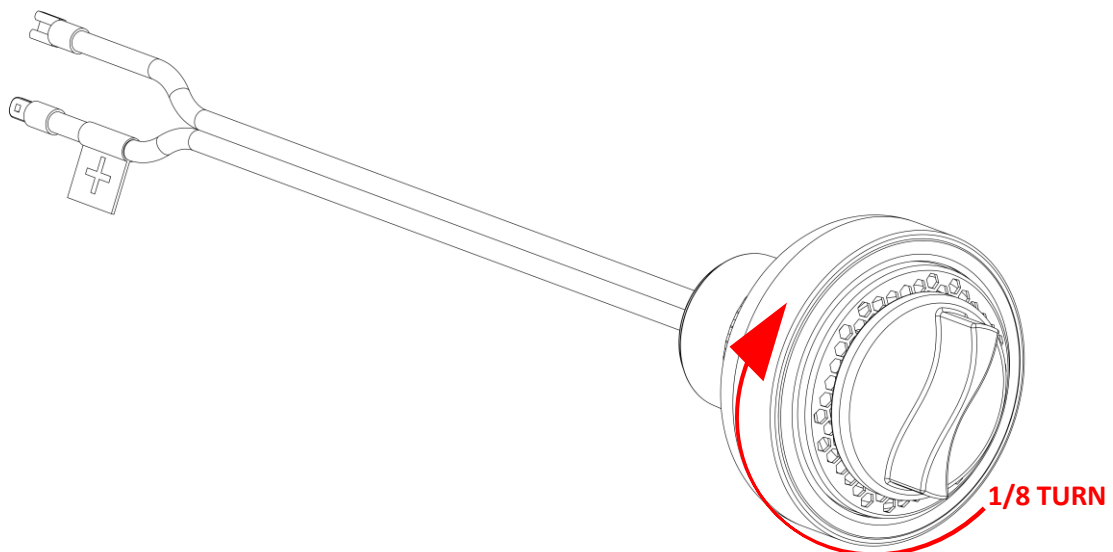
- Pivot the tweeter house to the desired angle using care to maintain a path for the tweeter's speaker wire to route through the tweeter house and the upper tweeter post.



- Tighten screw. The tweeter house should no longer pivot on the upper post.
- Route the tweeter's wires into the tweeter house and then through the upper tweeter post.

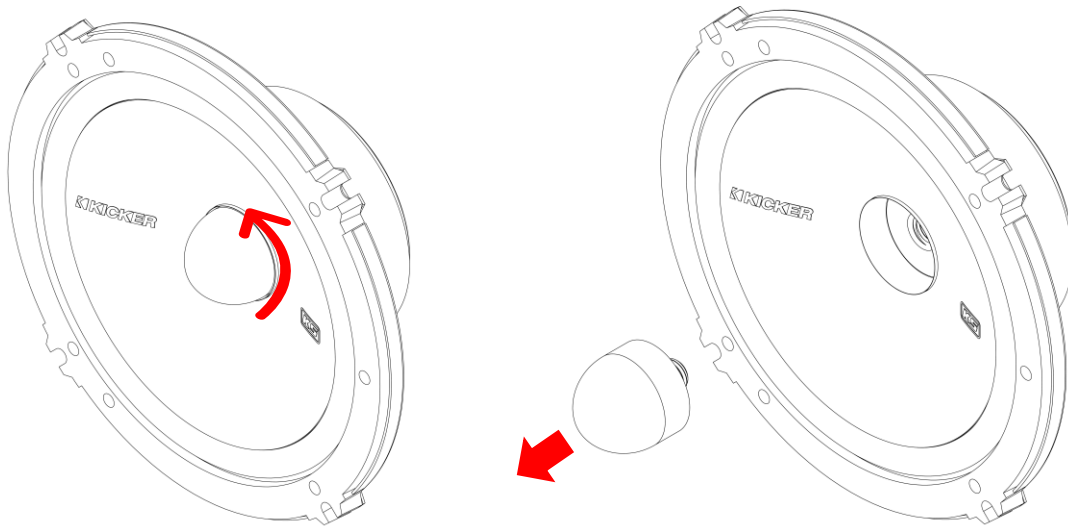


- Push tweeter into tweeter house. Engage threads. Turn clockwise an eighth turn to lock tweeter into the housing using tightening tool to grab the tweeter grille.

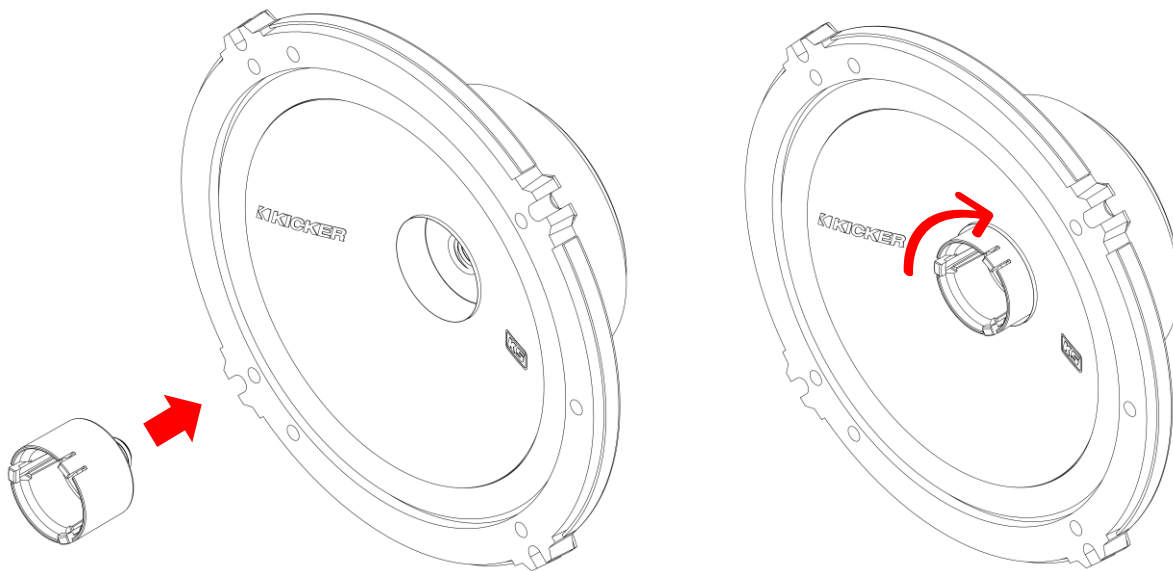




6. Remove phase plug from woofer by turning counterclockwise.

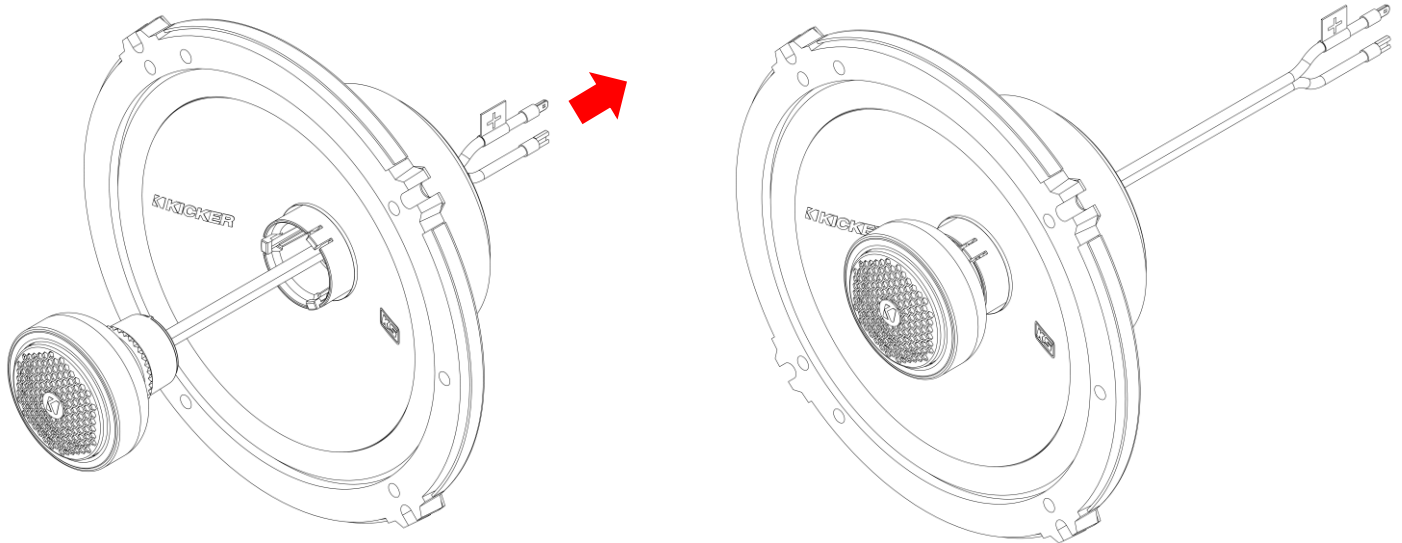


7. Engage lower tweeter post threads into woofer threads. Turn the lower tweeter post clockwise until tight.





8. Route tweeter wires through lower tweeter post and woofer motor. Push tweeter assembly onto lower tweeter post until upper tweeter post and lower tweeter post click together.



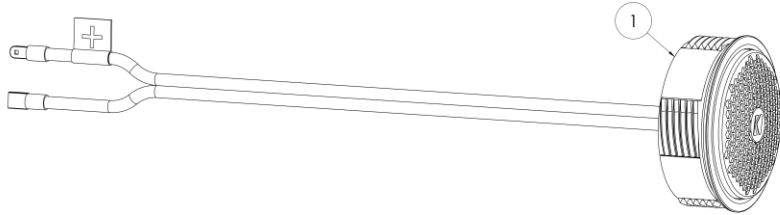
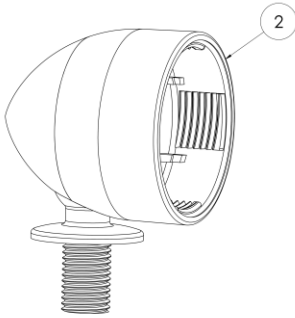
9. Coaxial installation of the tweeter is complete. The tweeter house can be rotated into the desired position.



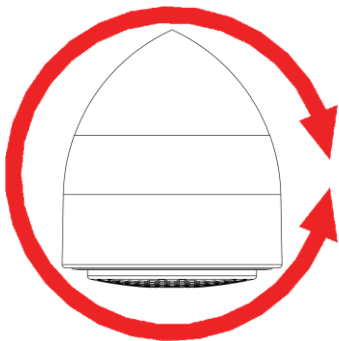
POD MOUNTING THE TWEETER

A total of three items are needed to pod-mount the tweeter remotely:

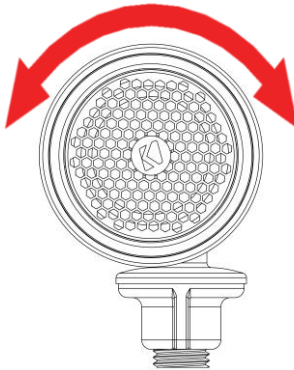
1. Tweeter
2. Pod Housing
3. Wing Nut



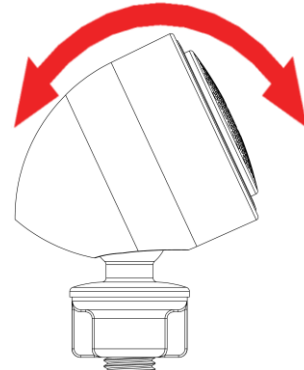
Pod mounting of the tweeter creates a housing for the tweeter allowing it to be placed in locations where the tweeter alone may not fit. The tweeter pod housing can be rotated 360 degrees about its post's axis. The tweeter pod housing can also pivot side-to-side and front-to-back.



360°



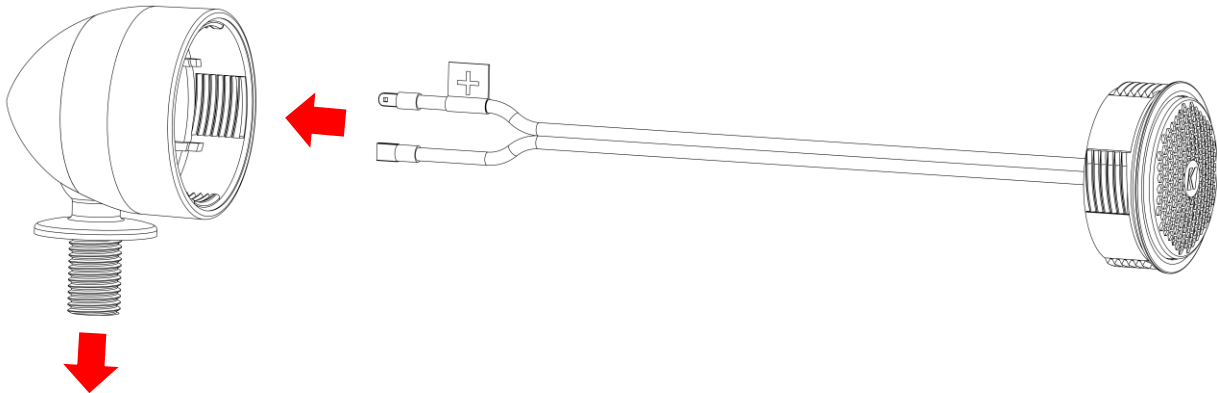
55°



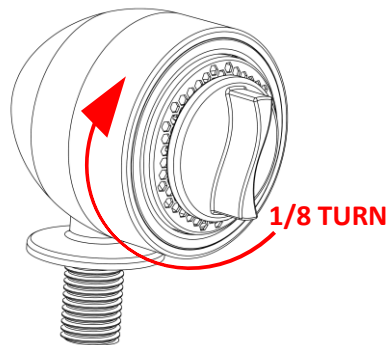
50°



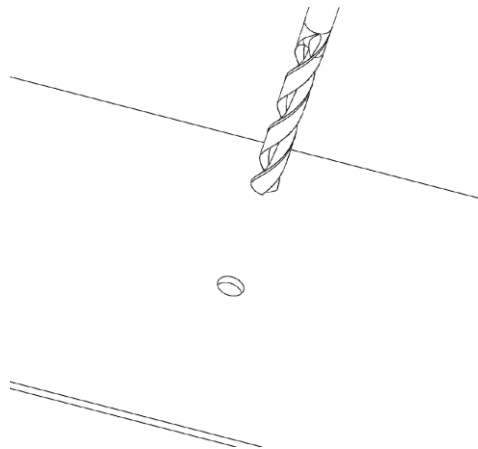
1. Route tweeter wire into the pod assembly and trough the tweeter pod housing post.



2. Push tweeter into tweeter house. Engage threads. Turn clockwise an eighth turn to lock tweeter into the housing using tightening tool to grab the tweeter grille.

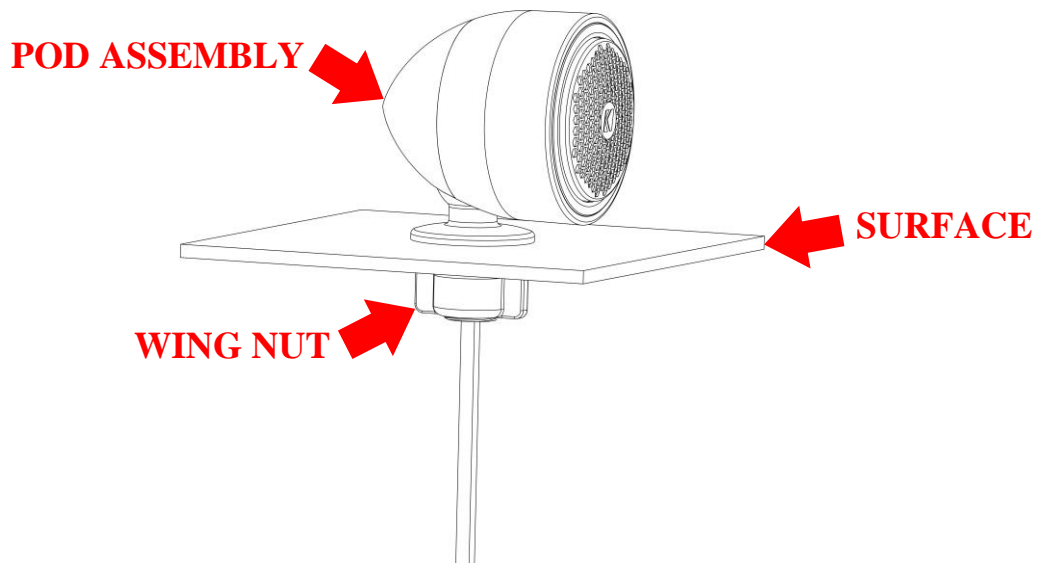


3. Drill a 1/2" (13mm) hole in the surface that the pod is to be mounted. Be cautious not to drill into any components behind the surface.





4. Route tweeter wire and tweeter pod housing post through the hole.
5. Thread nut onto tweeter pod housing post and tighten.

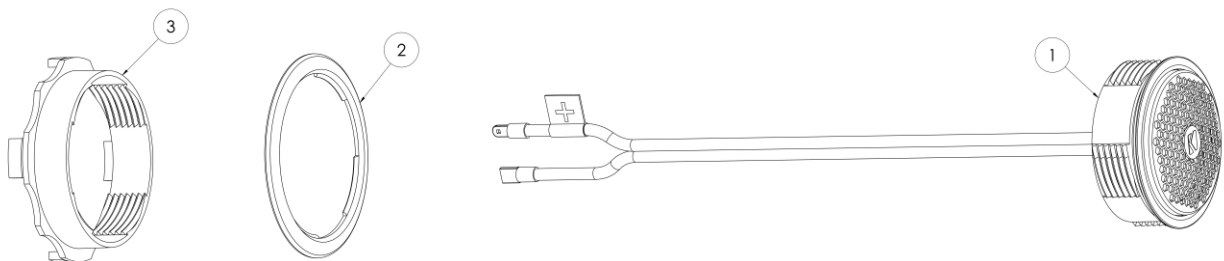


6. The tweeter pod assembly is now secured. Adjust the tweeter to point in the desired direction.

FLUSH MOUNTING THE TWEETER

Three items are needed to flush mount the tweeter remotely.

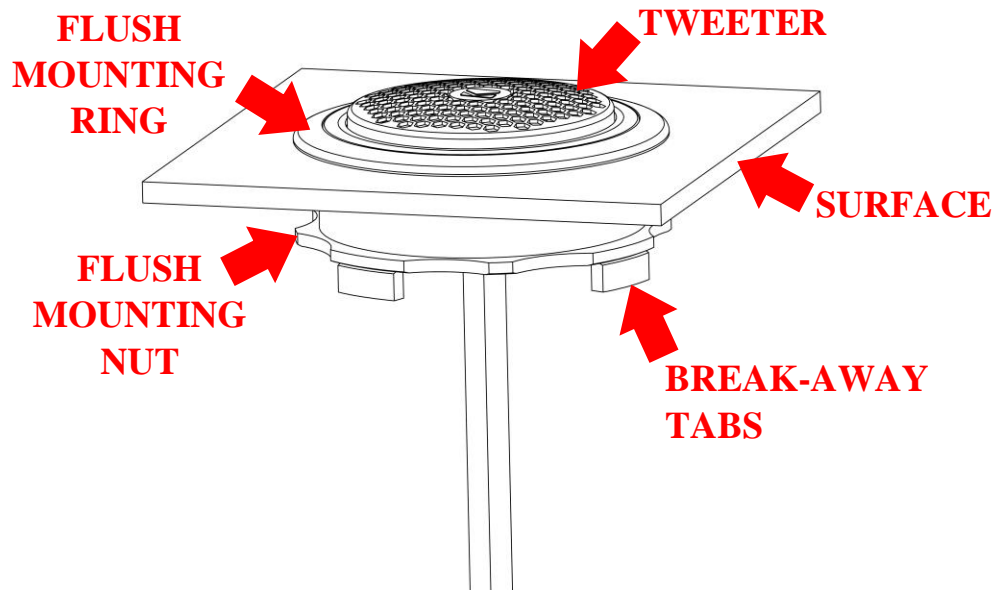
1. Tweeter
2. Flush Mounting Ring
3. Flush Mounting Nut



The flush mounting system allows for the mounting of the tweeter in a door panel, body panel, dash, etc. Mounting the tweeter flush provide a sleek look with minimal protrusion of the tweeter.

KICKER

1. Drill a $1\frac{11}{16}$ " (43mm) hole in the surface where the tweeter will be mounted. Be cautious not to drill into any components behind the surface.
 2. Route the tweeter wire into the convex side of the flush mounting ring and out the flat side of the flush mounting ring.
 3. Route the tweeter wire into the drilled hole and place the tweeter into the drilled hole.
 4. Screw the flush mounting nut onto the tweeter to secure it in the drilled hole.
- NOTE:** The flush mounting nut can be installed in reverse when mounting to very thin surfaces. If necessary, remove break-away tabs to aid in installation.

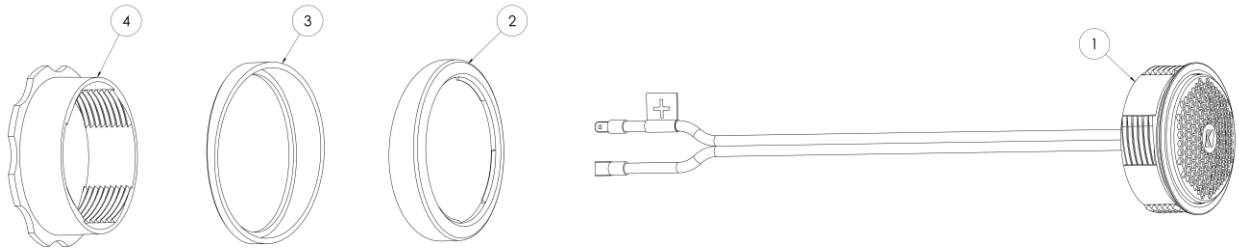




ANGULAR MOUNTING THE TWEETER

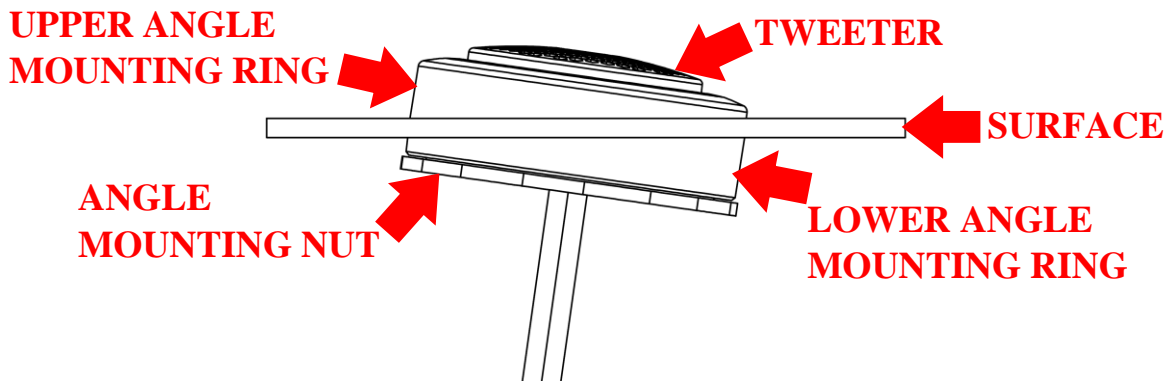
Four items are needed to flush mount the tweeter remotely (See Figure 15).

1. Tweeter
2. Upper Angle Mounting Ring
3. Lower Angle Mounting Ring
4. Angle Mounting Nut



The angular mounting system allows for the mounting of the tweeter in a door panel, body panel, dash, etc. Angular mounting of the tweeter provides a sleek look with while directing the tweeter 8 degrees towards a desired location.

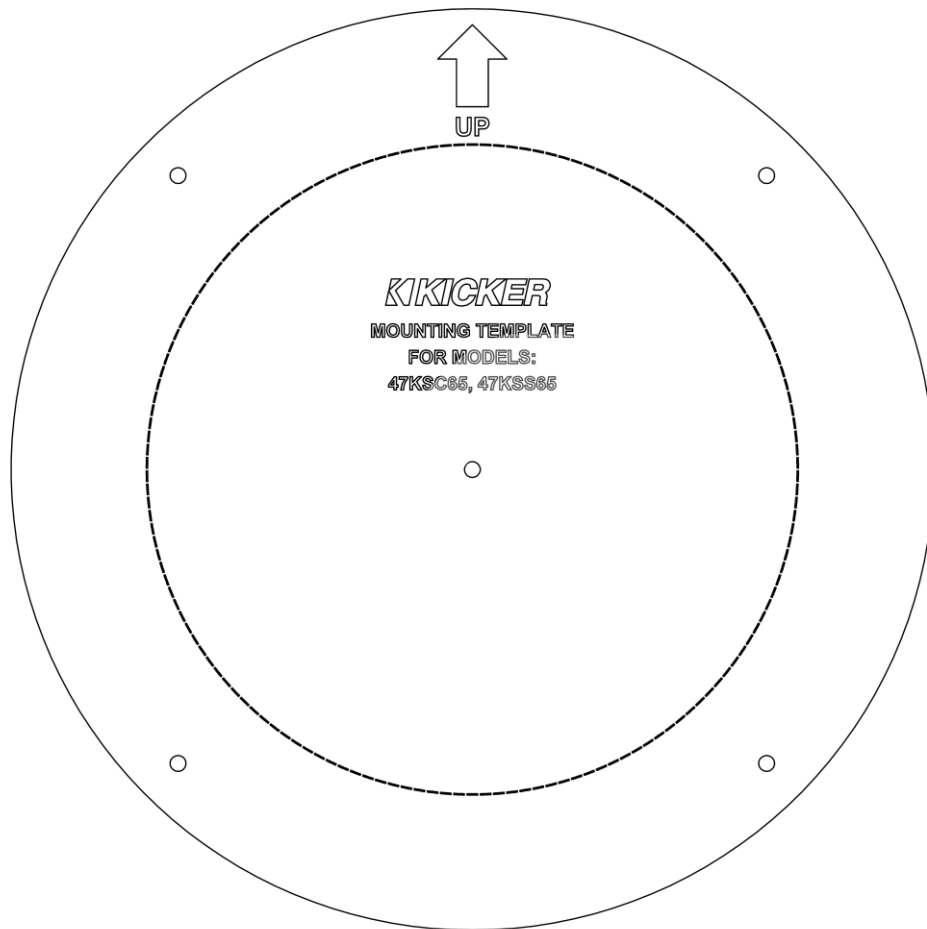
1. Drill a $1\frac{7}{8}$ " (48mm) hole in the surface where the tweeter will be mounted. Be cautious not to drill into any components behind the surface.
2. Route the tweeter wire into the convex side of the upper angle mounting ring and out the concave side of the upper angle mounting ring.
3. Route the tweeter wire into the drilled hole and place the tweeter into the drilled hole.
4. Route the tweeter wire into the concave side of the lower angle mounting ring and out the flat side of the lower angle mounting ring.
5. Screw the angle mounting nut onto the tweeter to secure it in the drilled hole.





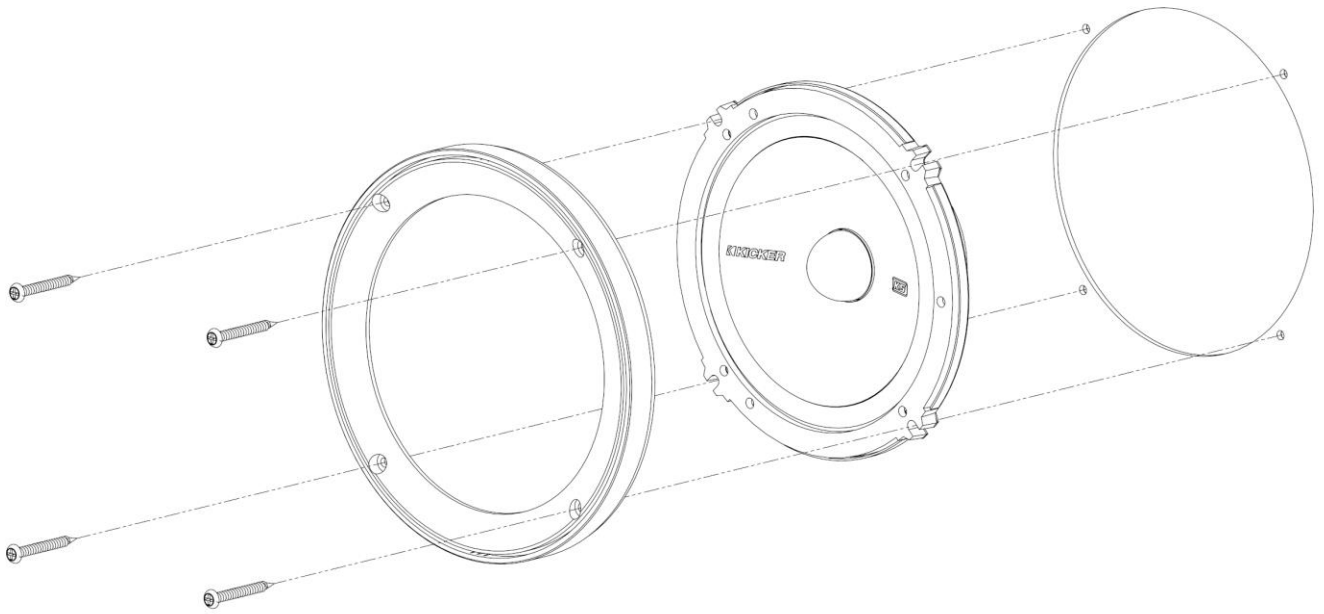
MOUNTING KSS SPEAKERS

1. Prepare the speaker harness to accept Kicker KSS speaker. Review the “WIRING THE SPEAKER” section of this document.
2. Some KSS speakers are provided with a mounting template. Use mounting template to cut and drill holes for custom mounting locations. Be cautious not to drill into any components behind the surface.

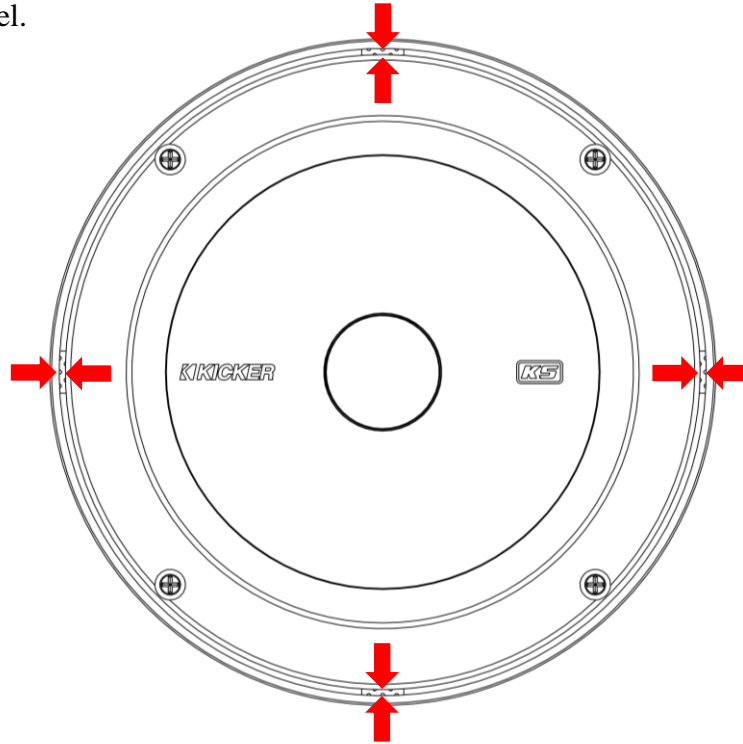




- Using the supplied screws or factory hardware, mount the speaker to its mounting panel. If speaker is placed behind a door panel do not use the grille.

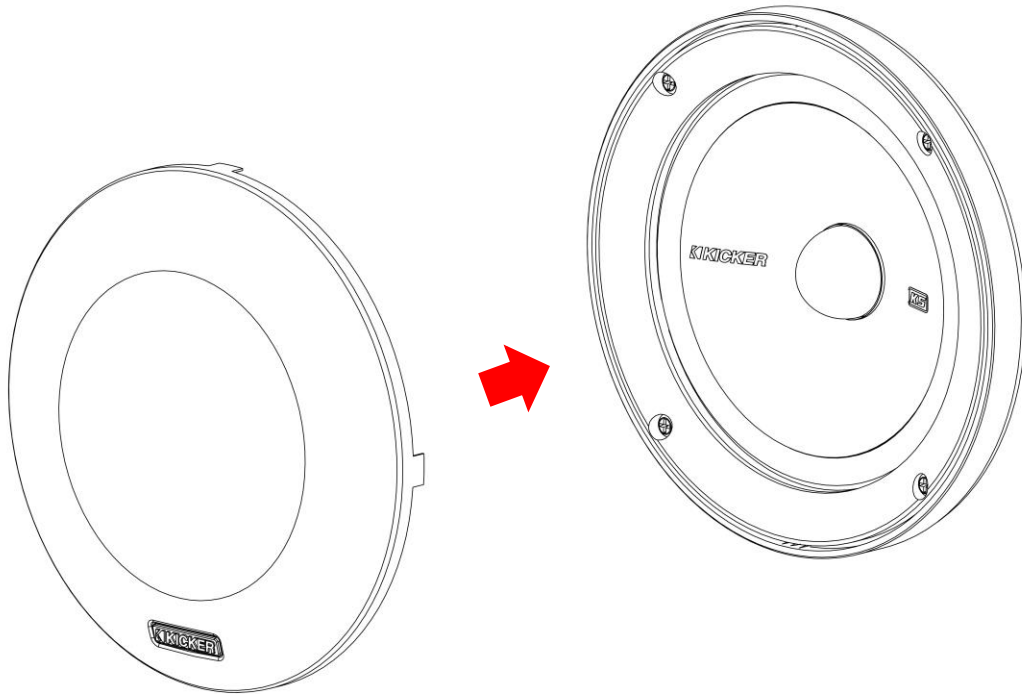


- Apply the black adhesive into the gap of the bezel where the grille's tabs insert and engage the bezel.



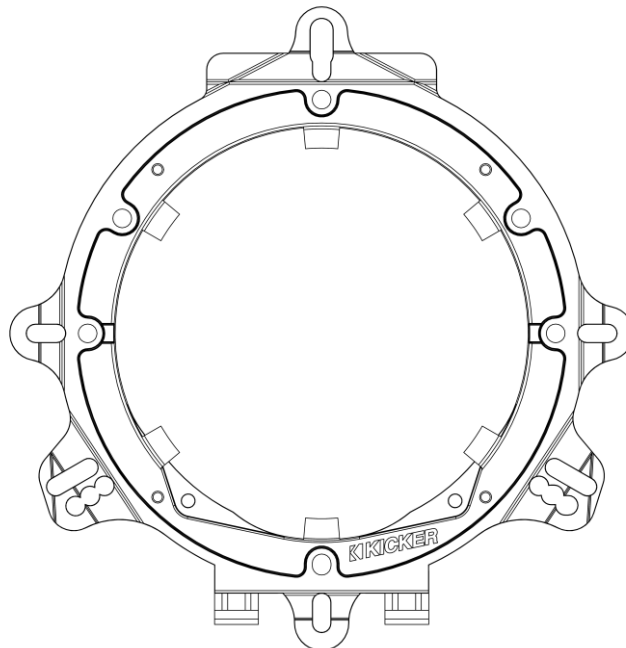


5. Carefully insert grille into the gap in the bezel.



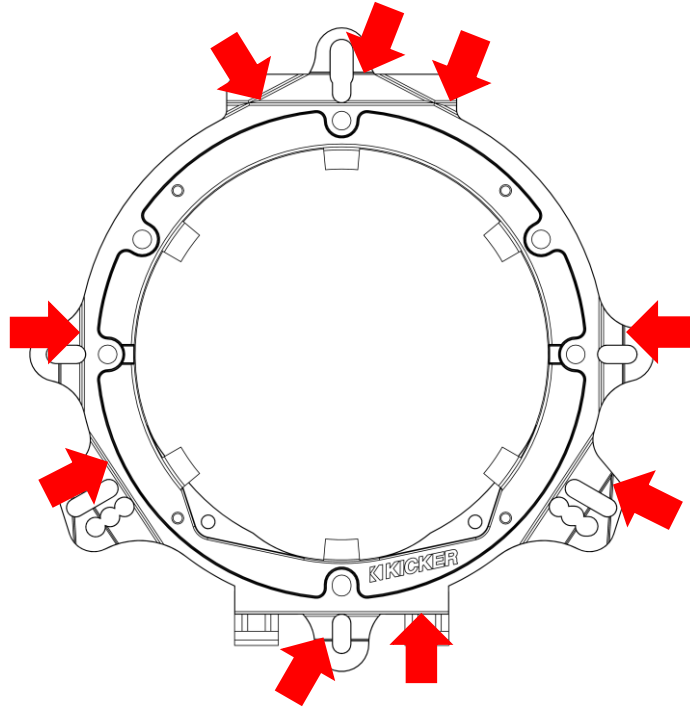
MOUNTING KSS6504 OR KSS6704 WITH THE ADAPTER

1. If necessary, use the mid-bass woofer mounting adapter. Find the bolt pattern that matches your factory speaker. Factory mounting hardware will be reused.

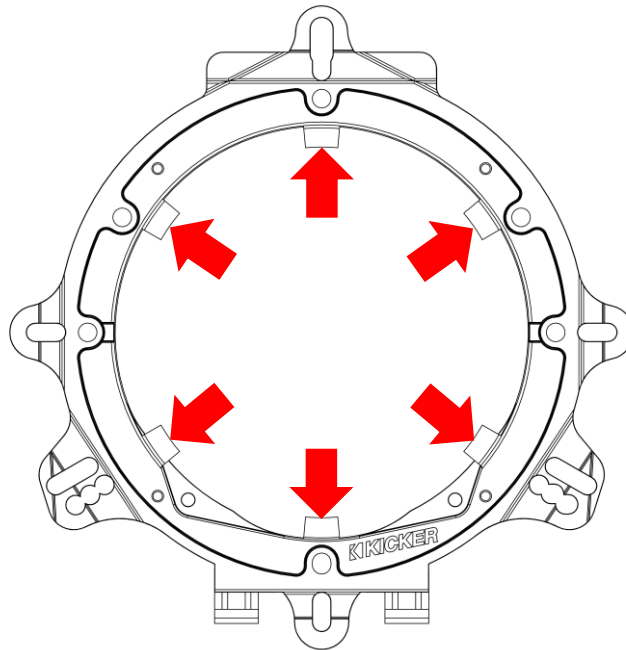




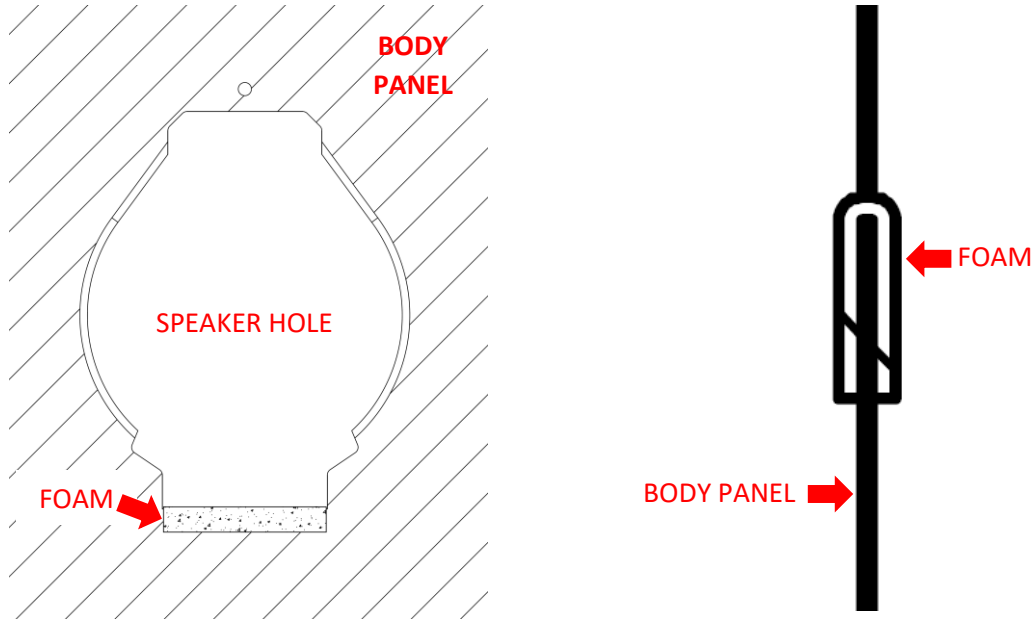
- Using side cutters remove any tabs that may impede installation of adapter or reassembly of factory components. Cutting locations are molded into the tabs of the adapter.



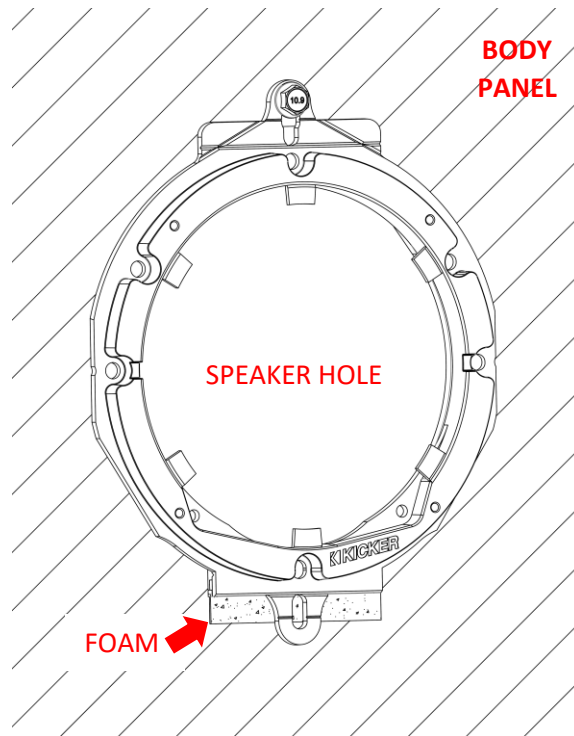
- If using the adapter with the KSS6704, remove the inner centering tabs.



4. For some applications the adapter clips to the mounting panel on one side. It may be necessary use the foam damper to tighten the fitment of the of the clip-on side of the adapter.

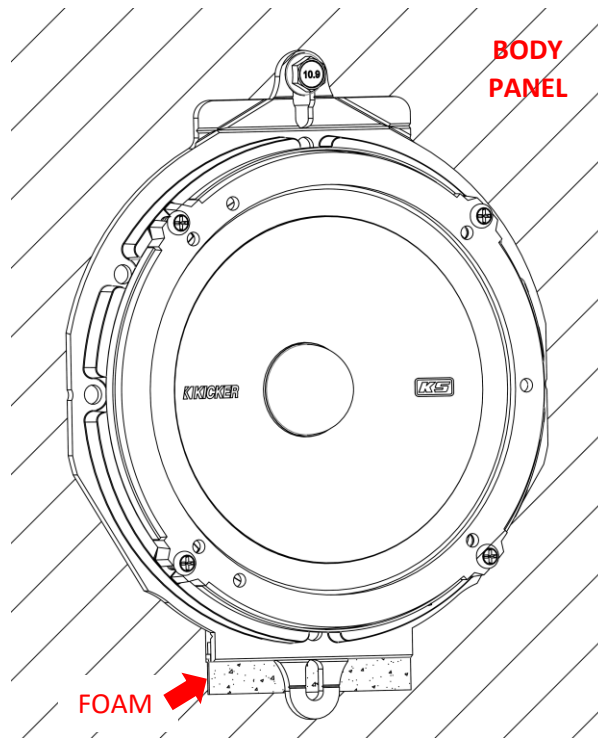


5. Fasten the adapter to the mounting panel using the factory hardware.



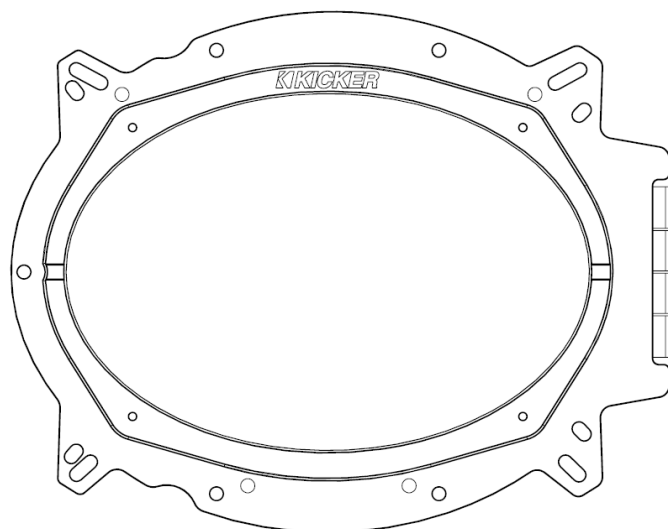


6. Fasten the speaker to the adapter using the supplied screws.



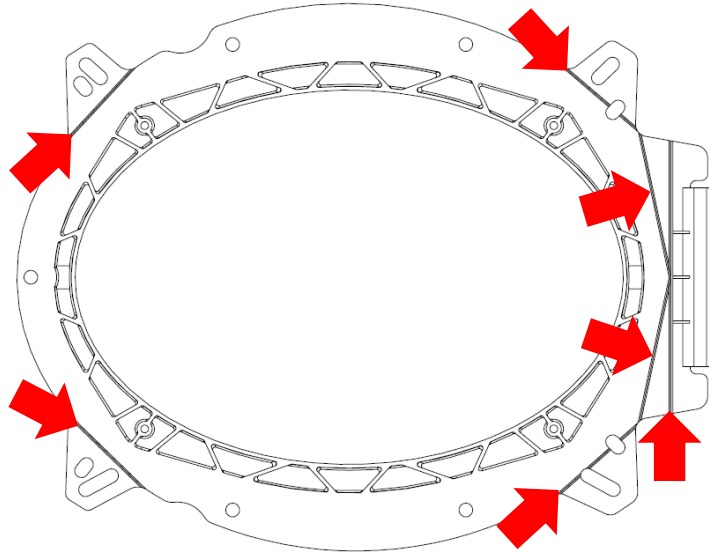
MOUNTING KSS6904 WITH THE ADAPTER

1. If necessary, use the mid-bass woofer mounting adapter. Find the bolt pattern that matches your factory speaker. Factory mounting hardware will be reused.

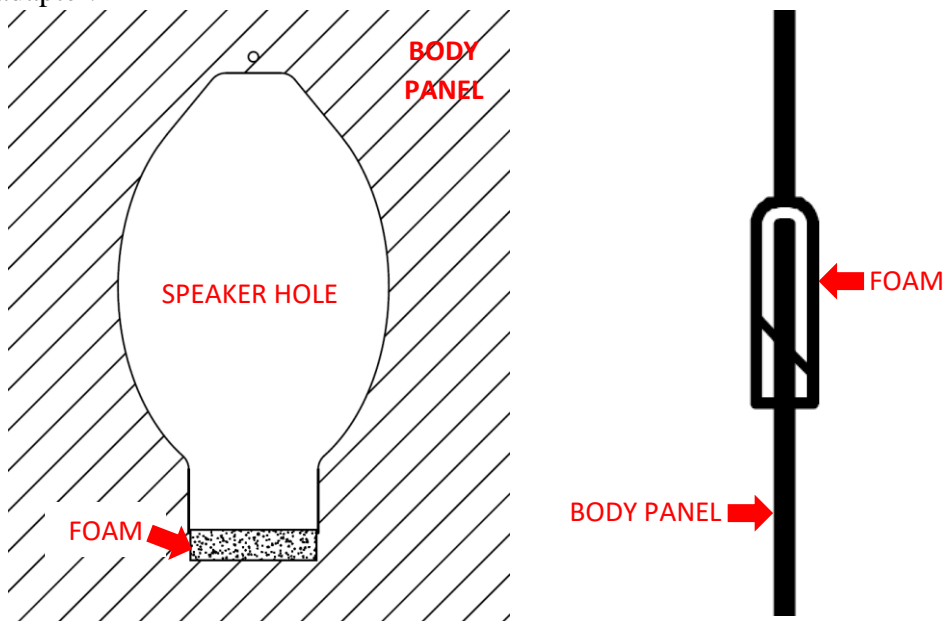




- Using side cutters remove any tabs that may impede installation of adapter or reassembly of factory components. Cutting locations are molded into the backside of the adapter.

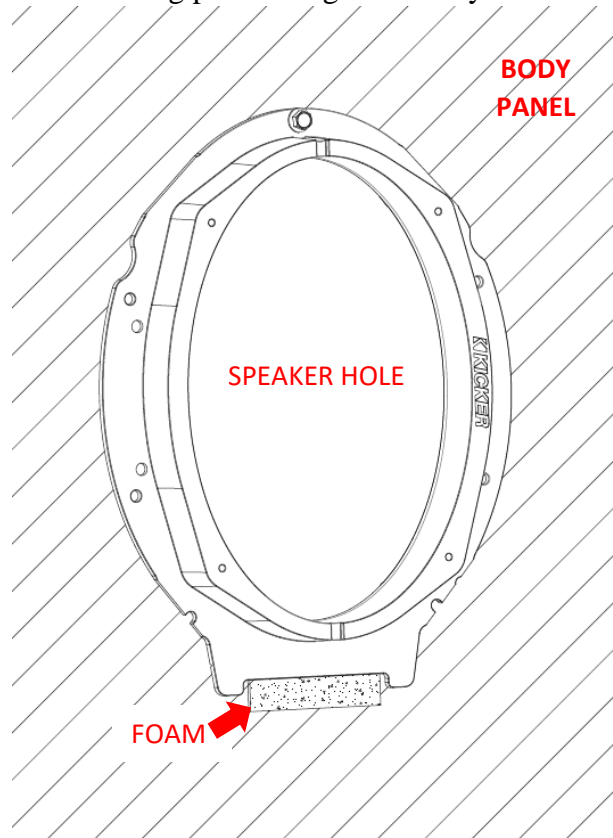


- For some applications the adapter clips to the mounting panel on one side. It may be necessary use the foam damper to tighten the fitment of the of the clip-on side of the adapter.

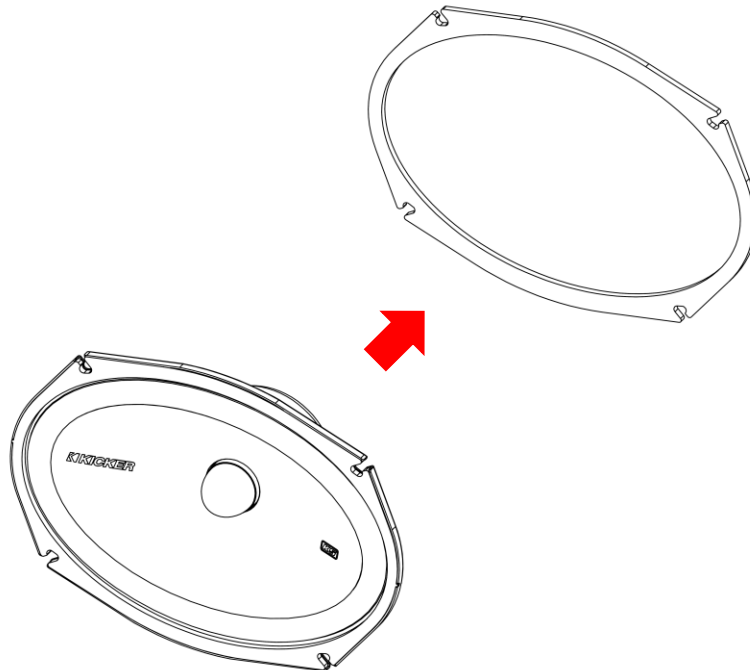




4. Fasten the adapter to the mounting panel using the factory hardware.

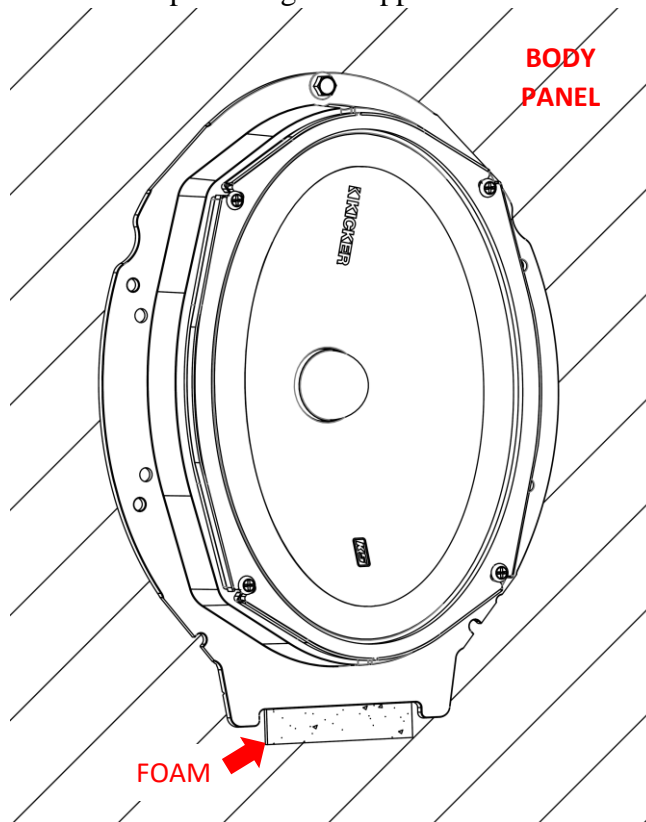


5. A back gasket/spacer is included to improve fitment. It may be necessary to space the speaker motor further way from accessories (windows tracks, lock actuators, etc.) in some applications. If necessary, use the back gasket/spacer.





6. Fasten the speaker to the adapter using the supplied screws.



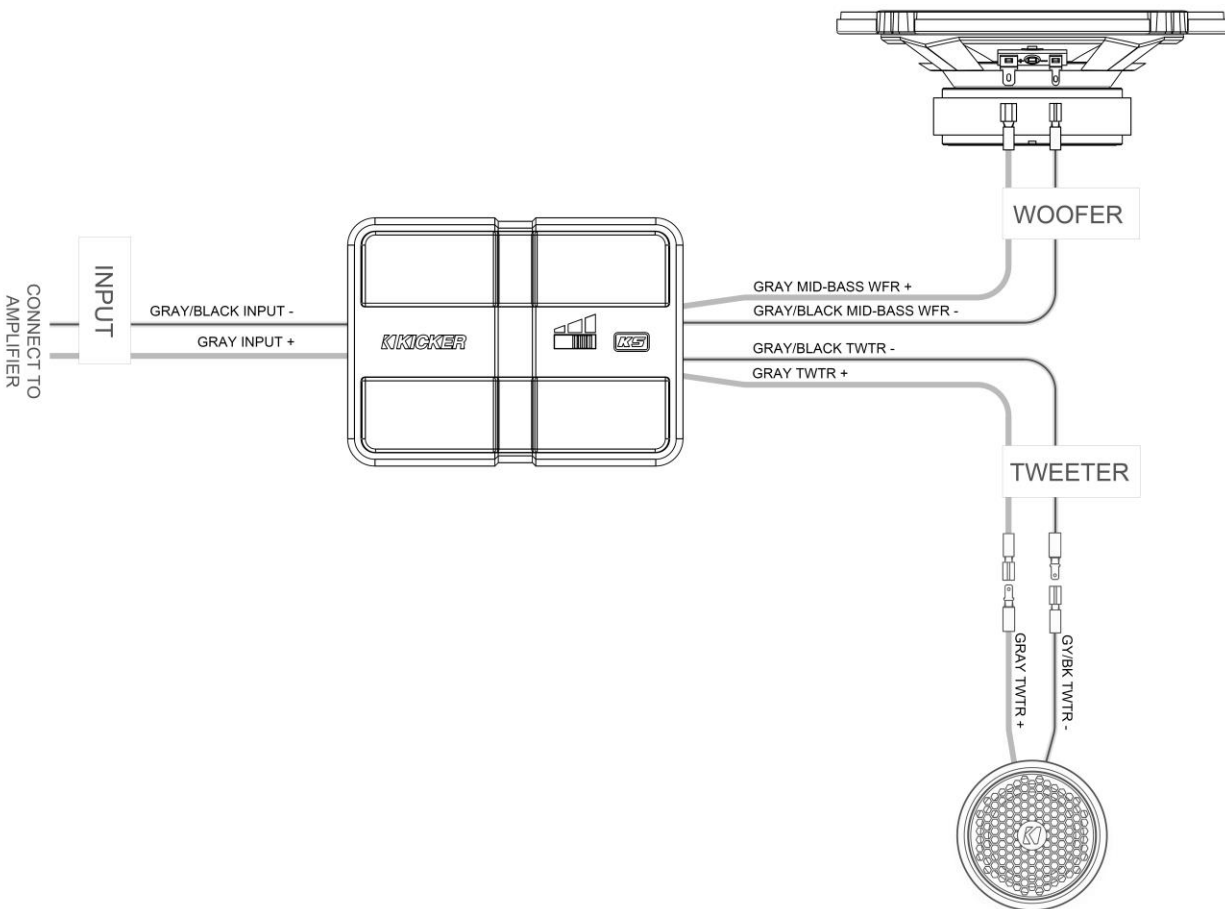


WIRING KSS SPEAKERS AND CROSSOVERS



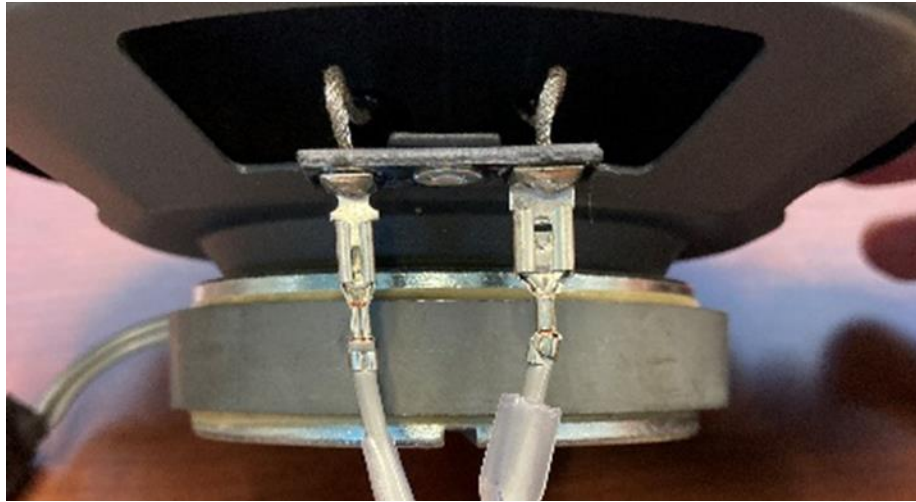
DANGER! Electrical hazard. Burns, electric shock, or damage to equipment may occur during connection of electrical wires. Always disconnect the vehicle's power source before making wire connections.

Kicker supplies crossovers with each KSS system pack to optimize the sound of the tweeters and mid-bass woofers. The KSS crossover is terminated and labeled so that each circuit will plug and play with its respective speaker.

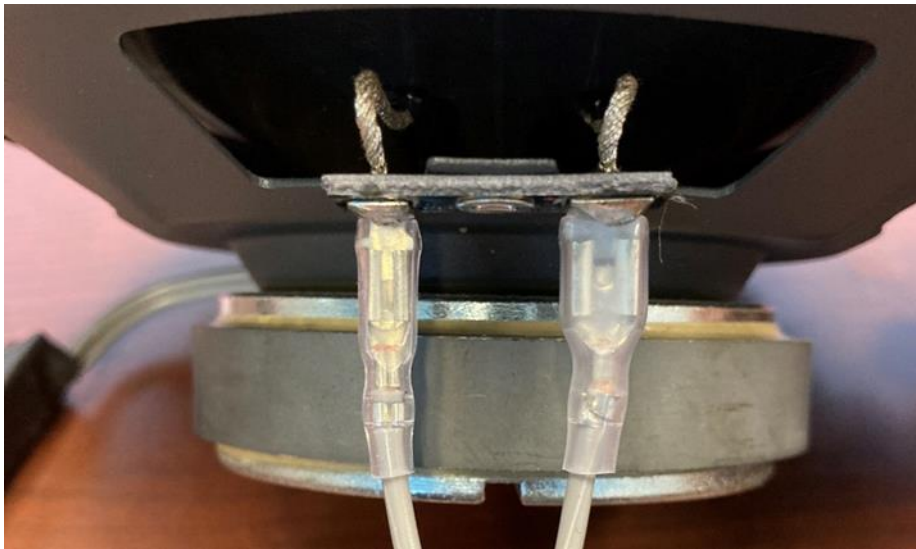


KICKER

1. Connect the crossover terminals and receptacles to their respective mating connector and matching wire colors.



2. Slide the clear cover over the terminals to prevent a short circuit.





3. Connect the crossover inputs to the outputs of the head unit or amplifier using the supplied butt connectors. The positive lead has gray insulation. The negative lead has gray and black insulation.