



## INSTALLATION INSTRUCTIONS FOR PART 95-3302 or 99-3302

### APPLICATIONS

See application list inside

# GM multi-kit 2004-2012 INST-3302

### KIT FEATURES

95-3302:

- Double DIN radio provision
- Stacked ISO DIN radio provision
- **Painted to match factory dash**

99-3302:

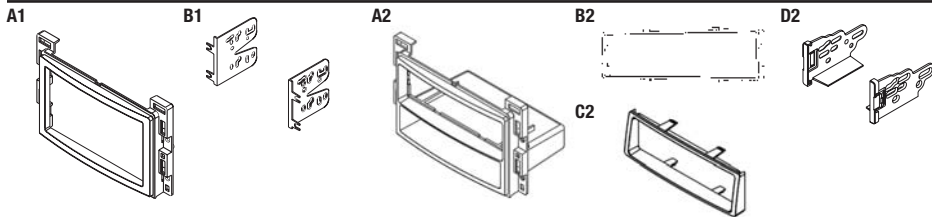
- DIN radio provision with pocket
- ISO radio provision with pocket
- **Painted to match factory dash**



### KIT COMPONENTS

95-3302: • A1) Double DIN housing • B1) Double DIN brackets

99-3302: • A2) Radio housing • B2) DIN spacer • C2) Trim plate • D2) ISO brackets



### WIRING & ANTENNA CONNECTIONS (sold separately)

Wiring Harness:

- Visit [www.metraonline.com](http://www.metraonline.com) for specific interface applications

Antenna Adapter:

- 40-CR10 - Chrysler antenna adapter 2002-up
- 40-GM10 - GM antenna adapter 1988-up

### TOOLS REQUIRED

- Small flat blade screwdriver • Panel removal tool
- Phillips screwdriver • Socket set • Cutting tool

**CAUTION:** Metra recommends disconnecting the negative battery terminal before beginning any installation. All accessories, switches, and especially air bag indicator lights must be plugged in before reconnecting the battery or cycling the ignition.

**NOTE:** Refer to the instructions included with the aftermarket radio.



INST-3302

## Applications

### 95-3302:

#### Chevrolet

Cobalt.....	2005-2010*
Equinox.....	2005-2006
HHR.....	2006-2011
Malibu.....	2004-2007**
Malibu.....	2008-2012**

#### Pontiac

G5.....	2007-2009*
G6.....	2005-2009**
Solstice.....	2006-2009
Torrent.....	2006

#### Saturn

Aura.....	2007-2009
Ion.....	2006-2007
Sky.....	2006-2009
Vue.....	2006-2007

### 99-3302:

#### Chevrolet

Cobalt.....	2005-2010*
Equinox.....	2005-2006
HHR.....	2006-2011
Malibu.....	2004-2007**
Malibu.....	2008-2012

#### Pontiac

G5.....	2007-2009*
G6.....	2005-2010**
G6.....	2009.5-2010
Solstice.....	2006-2009
Torrent.....	2006

#### Saturn

Aura.....	2007-2009
Ion.....	2006-2007
Sky.....	2006-2009
Vue.....	2006-2007

### 95-3302 & 99-3302\*

Cobalt and G5 2005-2006: To retain OnStar use 99-3303 instead.

### 95-3302 & 99-3302

\*\*Malibu and G6 only: The Driver Information Center and radio are one unit. Removal of the radio will prohibit the vehicle owner from programming any of the features of the Driver Information Center. However once the features

are programmed the vehicle will retain all the settings. An alternative kit 99-3303 includes a replacement driver information center with programming capabilities.

The 99-3303 does not allow for Double DIN installations. Note: Refer also to the instructions included with the aftermarket radio.

## Table of Contents

### Dash Disassembly

- Chevrolet Cobalt 2005-2010/Pontiac G5 2007-2009 .....	3
- Chevrolet Equinox 2005-2006/Pontiac Torrent 2006 .....	4
- Chevrolet HHR 2006-2011 .....	4
- Chevrolet Malibu 2004-2007 .....	5-6
- Chevrolet Malibu 2008-2012 .....	6-7
- Pontiac G6 2005-2010/G6 2009.5-2010 .....	7
- Pontiac Solstice 2006-2009 .....	8
- Saturn Aura 2007-2009.....	9
- Saturn Ion 2006-2007 .....	9
- Saturn Sky 2006-2009.....	10
- Saturn Vue 2006-2007 .....	10

### Kit Assembly

- Double DIN radio provision (95-3302).....	12
- Stacked ISO DIN radio provision (95-3302).....	13
- DIN radio provision with pocket (99-3302).....	14
- ISO radio provision with pocket (99-3302).....	15

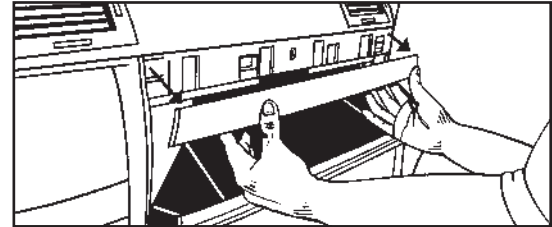


## Dash Disassembly

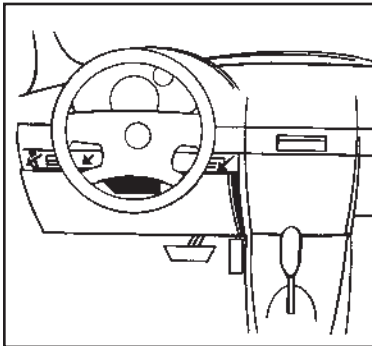
### Chevrolet Cobalt 2005-2010 Pontiac G5 2007-2009

1. Unclip and remove trim panel from above glove box. (Figure A)
2. Unclip upper edge of panel below steering column and let hang. It is not necessary to remove completely. (Figure B)
3. Unclip and remove small trim panel to right of ignition switch. (Figure C)
4. Unclip and remove trim panel surrounding radio and climate controls. (Figure D)
5. Remove (4) 9/32 screws securing radio. Unplug and remove the radio. (Figure E)

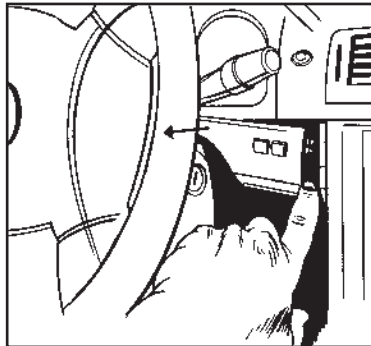
*Continue to kit assembly*



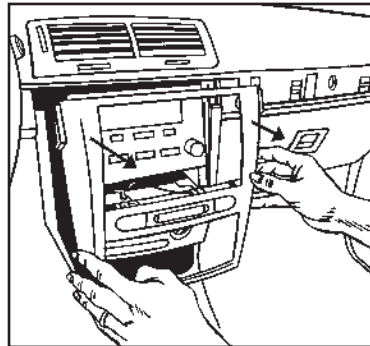
(Figure A)



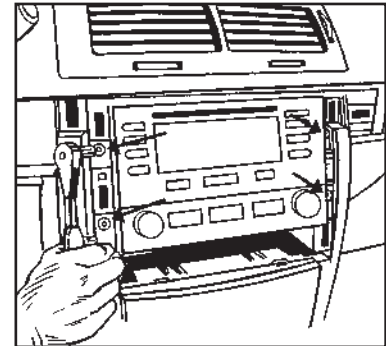
(Figure B)



(Figure C)



(Figure D)



(Figure E)



## Dash Disassembly

### Chevrolet Equinox 2005-2006 Pontiac Torrent 2006

1. Unsnap panel below power window switch and remove.

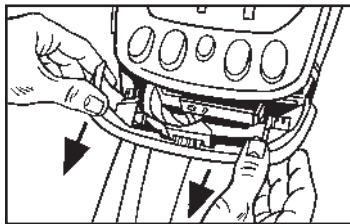
**Note:** This allows you to unplug the window switch easier.

(Figure A)

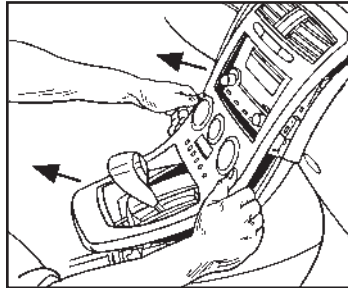
2. Unsnap and remove entire panel surrounding radio and shifter. (Figure B)

3. Remove (4) 9/32 screws securing radio. Unplug and remove the radio. (Figure C)

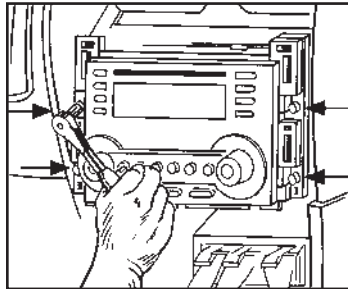
Continue to kit assembly



(Figure A)



(Figure B)

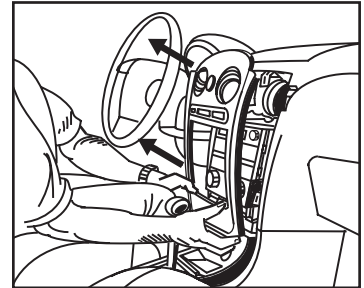


(Figure C)

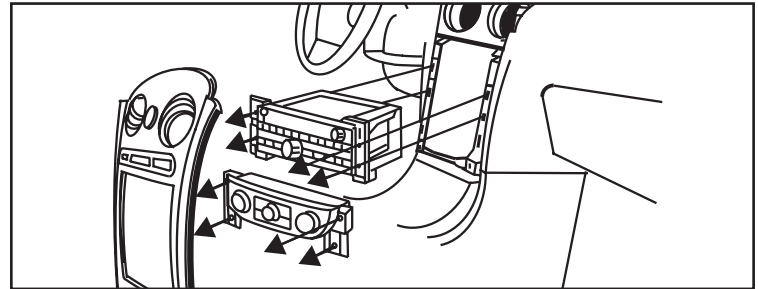
### Chevrolet HHR 2006-2011

1. Unclip and remove entire panel surrounding radio and climate controls including the A/C vents. (Figure A)
2. Remove (8) 9/32" screws securing radio and A/C control to remove radio. (Figure B)

Continue to kit assembly



(Figure A)



(Figure B)

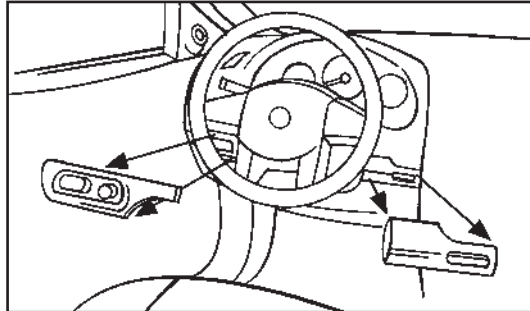


## Dash Disassembly

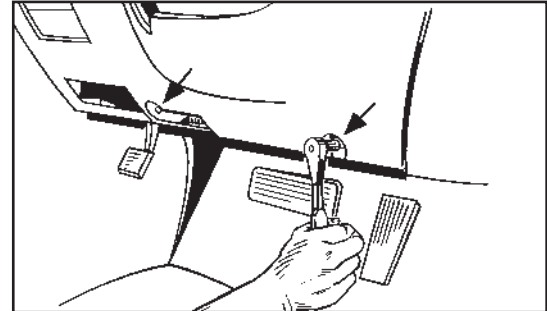
### Chevrolet Malibu 2004-2007

1. Unclip and remove wood grain/painted trim pieces from both sides of steering wheel. (Figure A)
2. Unclip and remove side panel from driver's side of dash with door open and remove (2) 7mm screws. (Figure B)
3. Remove (2) 7mm screws from bottom edge of panel below steering wheel, unclip panel and let hang. It is not necessary to completely remove panel. (Figure C)
4. Unclip and remove wood grain/painted trim piece from above glove box. (Figure D)

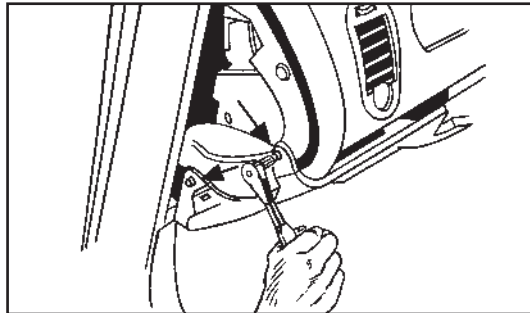
*Continue onto next page*



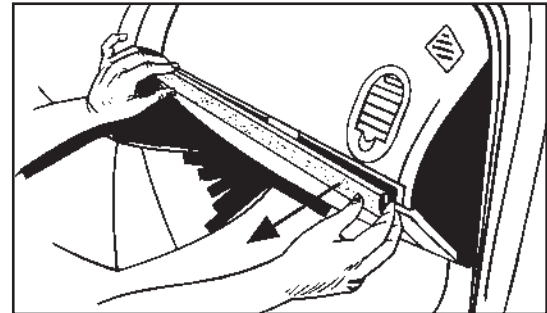
(Figure A)



(Figure C)



(Figure B)

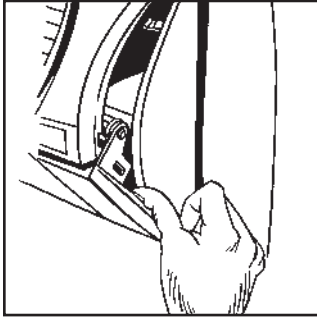


(Figure D)



## Dash Disassembly

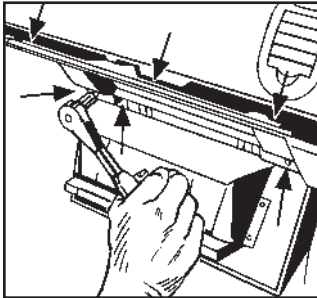
### Chevrolet Malibu 2004-2007



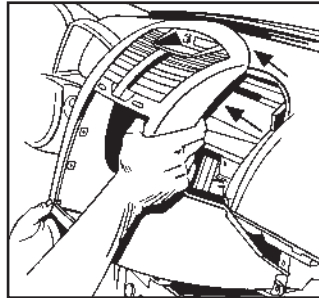
(Figure E)

5. Unclip and remove side panel from passenger side of dash with door open and remove (2) 7mm screws from behind panel. (Figure E)
6. Remove (2) 7mm screws from bottom of glove box then open box and squeeze sides together to open further and remove the remaining (4) 7mm screws. Unclip the black vent cover under the glove box then unclip and remove entire glove box assembly. (Figure F)
7. Unclip and remove trim panel surrounding radio and climate controls. (Figure G)
8. Remove (4) 7mm screws securing the radio and (2) 7mm screws securing the climate control. Unplug and remove the radio. (Figure H)

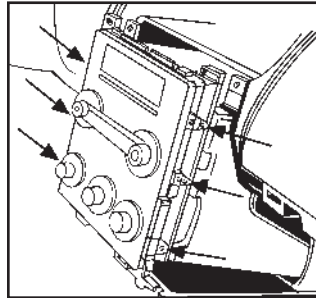
*Continue to kit assembly*



(Figure F)



(Figure G)



(Figure H)

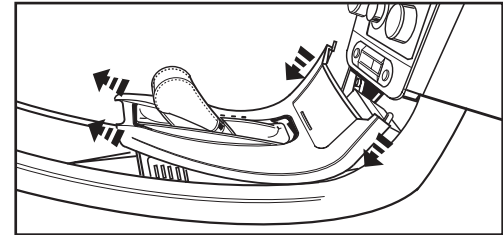
### Chevrolet Malibu 2008-2012

1. Unsnap and remove shifter trim. (Figure A)

**Note:** Start around shifter and be sure to pull down before back because this panel slides up under the radio/climate panels.

2. Remove (2) 8mm screws from bottom of radio/climate panel.
3. Unsnap and remove the climate/radio panel and upper vent trim panel together. They can be separated after removal. (Figure B,C)
4. Remove (6) 8mm screws from radio and climate controls.

*Continue to kit assembly*

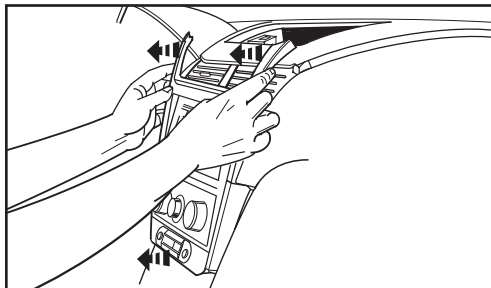


(Figure A)

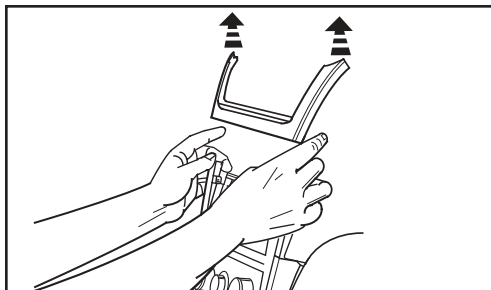


## Dash Disassembly

### Chevrolet Malibu 2008-2012



(Figure B)

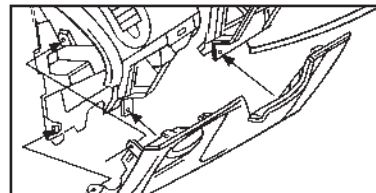


(Figure C)

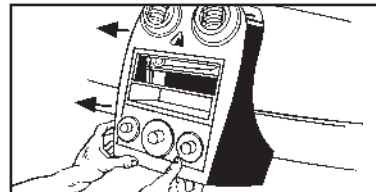
### Pontiac G6 2005-2010/G6 2009.5-2010

1. Open glove box and remove (6) screws from outer edge and then unclip and remove box. (Figure A)
2. Remove (4) screws from panel below steering column. Unclip and remove panel. (Figure B)
3. Unclip and remove center panel surrounding radio and A/C controls. (Figure C)
4. Remove (4) screws securing the radio. Unplug and remove the radio. (Figure D)

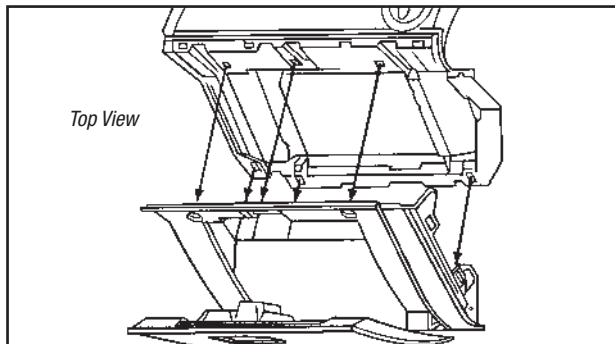
*Continue to kit assembly*



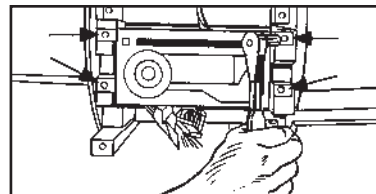
(Figure B)



(Figure C)



(Figure A)



(Figure D)



## Dash Disassembly

### Pontiac Solstice 2006-2009

#### 1. (A) Manual transmission:

Lift up the lower edge of the instrument panel cluster trim plate enough to reach underneath and release the shift boot trim ring retaining tabs. (Figure A)

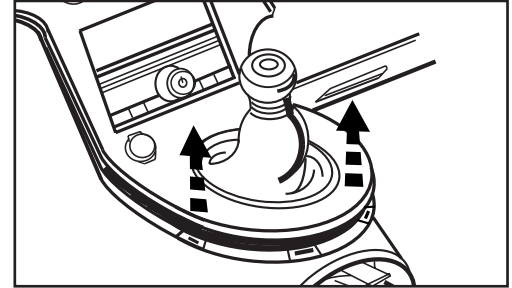
Lift up on the shift boot and loosen the setscrew to release the shift lever. (Figure B)

#### 1. (B) Automatic transmission:

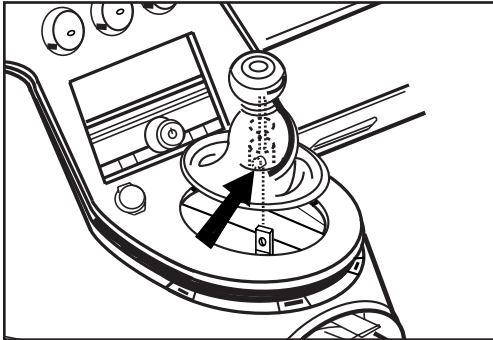
Unclip and remove shifter trim ring. (Figure C)

2. Unclip and remove passenger assist handle trim panel. (Figure D)
3. Remove (2) bolts securing the passenger assist handle and remove handle. (Figure D)
4. Unclip and remove dash trim panel.
5. Remove (4) screws securing the radio. Unplug and remove the radio.

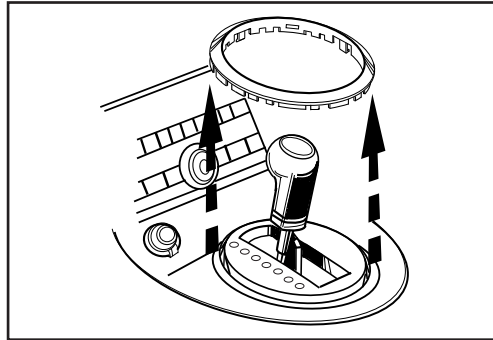
*Continue to kit assembly*



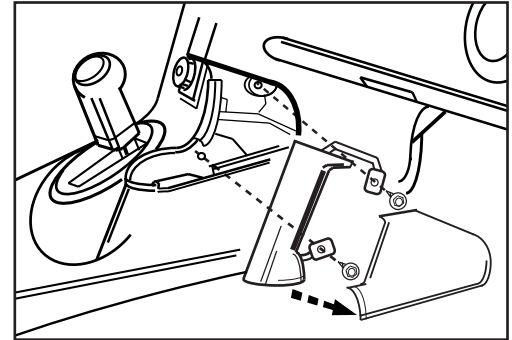
(Figure A)



(Figure B)



(Figure C)



(Figure D)



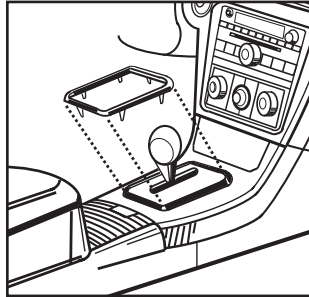


## Dash Disassembly

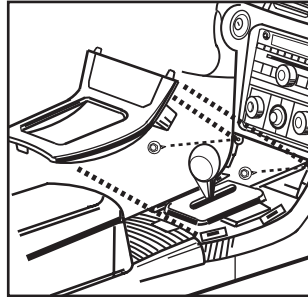
### Saturn Aura 2007-2009

1. Unclip and remove shifter trim ring. (Figure A)
2. Unclip and remove the center console trim panel, then remove (2) screws from bottom edge of dash trim panel. (Figure B)
3. Unclip and remove the key switch trim ring, then unclip and remove dash trim panel. (Figure C)
4. Remove (2) screws securing the climate controls.
5. Remove (4) screws securing the radio. Unplug and remove the radio.

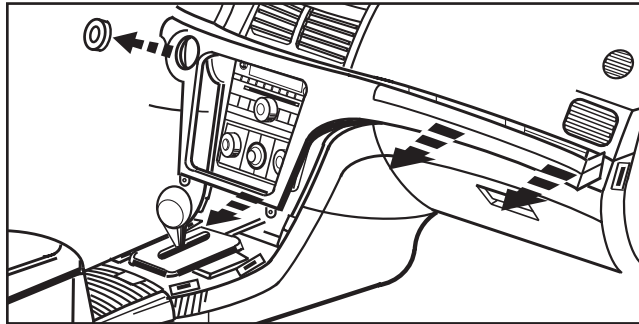
*Continue to kit assembly*



(Figure A)



(Figure B)

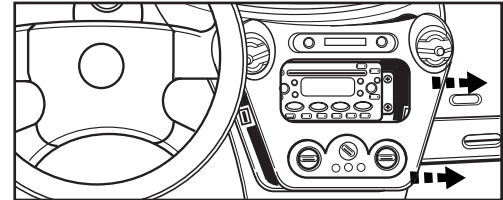


(Figure C)

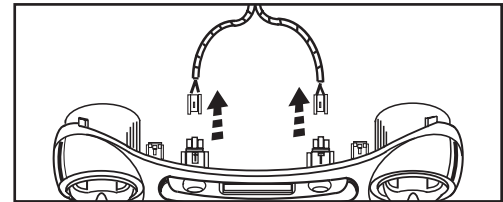
### Saturn Ion 2006-2007

1. Unclip radio trim panel. (Figure A)
2. Unplug connectors from trim panel and remove panel. (Figure B)
3. Remove (4) screws securing the radio. Unplug and remove the radio.

*Continue to kit assembly*



(Figure A)



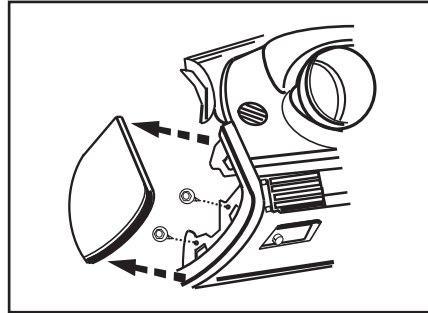
(Figure B)



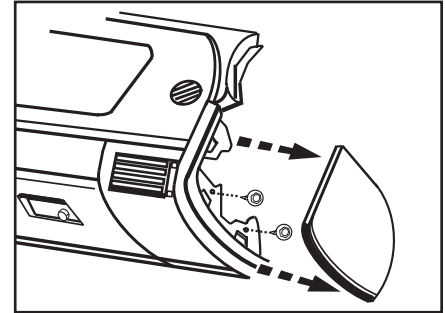
## Dash Disassembly

### Saturn Sky 2006-2009

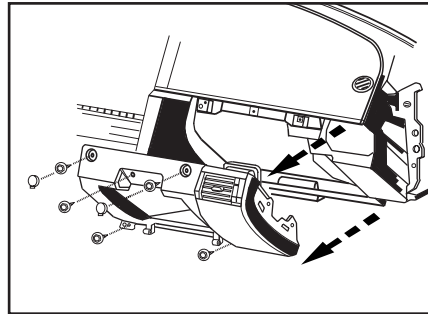
1. Unclip and remove side panel from driver's side of dash with door open and remove (2) 7mm screws. (Figure A)
2. Remove (2) 7mm screws from bottom edge of panel below steering wheel, unclip panel and remove panel.
3. Unclip and remove side panel from passenger side of dash with door open and remove (2) 7mm screws from behind panel. (Figure B)
4. Open the glove box and disconnect the glove box dampener from the glove box assembly. Squeeze sides together to open further. (Figure C)
5. Remove (2) bolt covers from top edge of glove box frame. (Figure C)
6. Remove (5) bolts from glove box frame and remove frame. (Figure C)
7. Unsnap and remove climate control trim panel. (Figure D)
8. Remove (1) screw from lower left corner of radio trim panel and unplug connectors to remove panel. (Figure D)
9. Remove (4) screws securing the radio. Unplug and remove the radio.



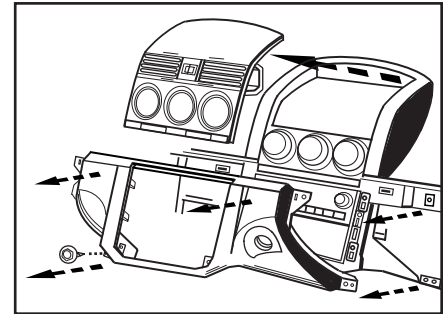
(Figure A)



(Figure B)



(Figure C)



(Figure D)

*Continue to kit assembly*

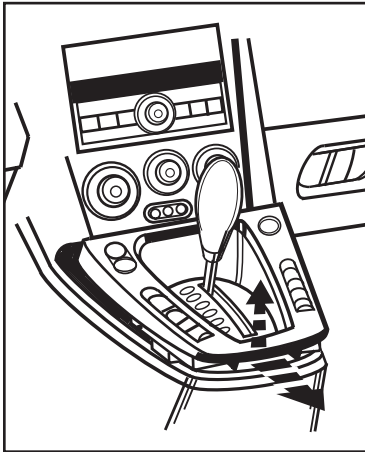


## Dash Disassembly

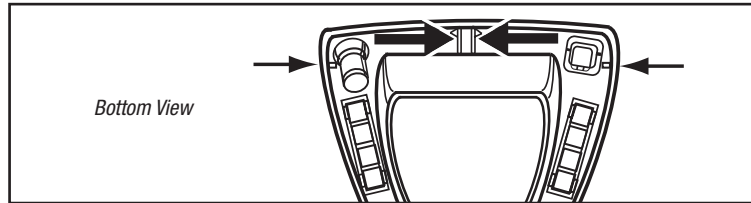
### Saturn Vue 2006-2007

1. Grasp the front edge of the shifter trim panel and pull outward and upward. (Figure A)
2. Squeeze the locking tabs located at the front edge of the shifter trim panel together to release the front edge of the panel from the center console. (Figure B)
3. Pull upward on the panel to release the remaining clips, and remove trim panel.
4. Remove (4) screws securing storage pocket and remove pocket. (Figure C)
5. Unclip and remove center dash trim panel. (Figure D)
6. Remove (4) screws securing the radio. Unplug and remove the radio.

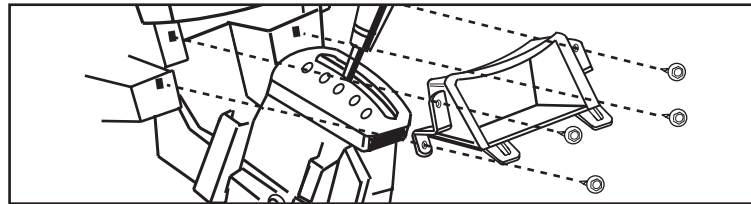
*Continue to kit assembly*



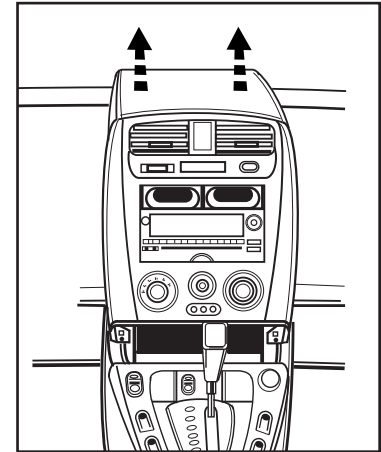
(Figure A)



(Figure B)



(Figure C)



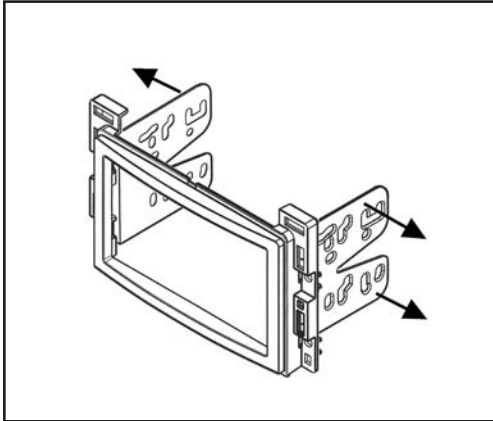
(Figure D)



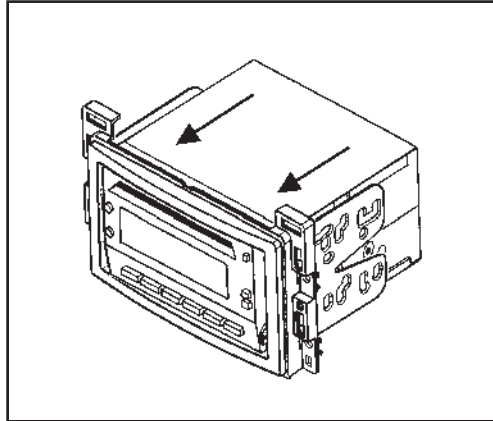
## Kit Assembly 95-3302

### Double DIN radio provision

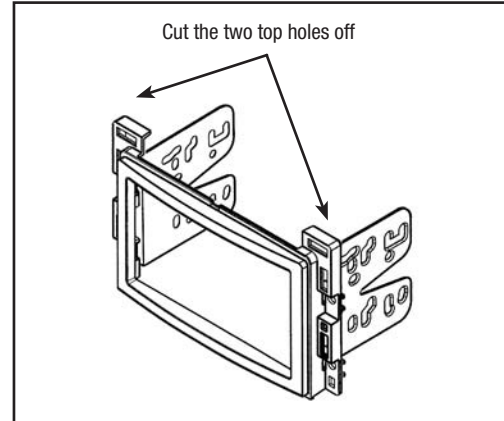
1. Slide the appropriate bracket into the trim plate aligning the holes in the trim plate to the clips on the bracket. (Figure A)
2. Slide the DDIN radio unit into the trim plate bracket assembly and secure the unit to the kit using the screws supplied with the head unit. (Figure B)
3. **Aura, Cobalt, G5, HHR, Sky and Vue only:** Cut and remove top mounting tabs on each side of the radio housing. (Figure C)
4. Locate the factory wiring harness in the dash. Metra recommends using the proper mating adapter from Metra or AXCESS. Re-connect the negative battery terminal and test the unit for proper operation.
5. Reassemble dash in reverse order of disassembly.



(Figure A)



(Figure B)



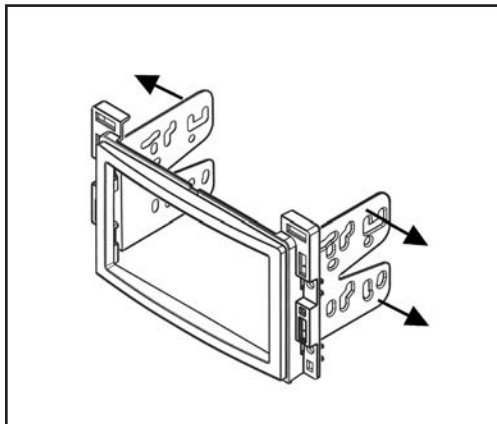
(Figure C)



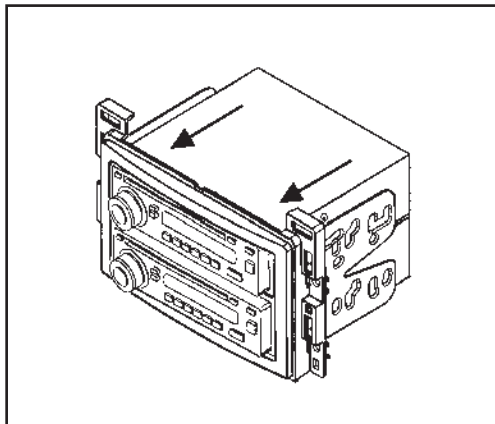
## Kit Assembly 95-3302

### Stacked ISO DIN radio provision

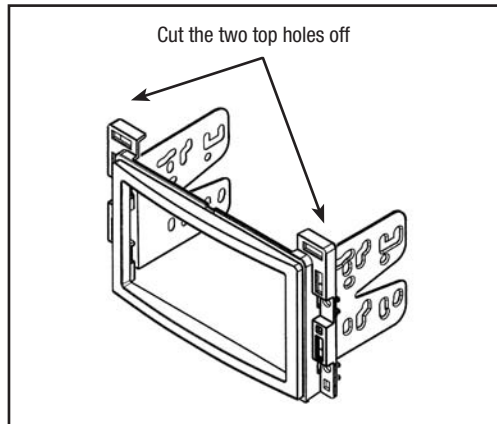
1. Slide the stacked ISO DIN units into the trim plate bracket assembly and secure the units to the kit using the screws supplied with the head units. (Figure A and B)
2. **Aura, Cobalt, G5, HHR, Sky and Vue only:** Cut and remove top mounting tabs on each side of the radio housing. (Figure C)
3. Locate the factory wiring harness in the dash. Metra recommends using the proper mating adapter from Metra or AXXESS. Re-connect the negative battery terminal and test the unit for proper operation.
4. Reassemble dash in reverse order of disassembly.



(Figure A)



(Figure B)



(Figure C)



## Kit Assembly 99-3302

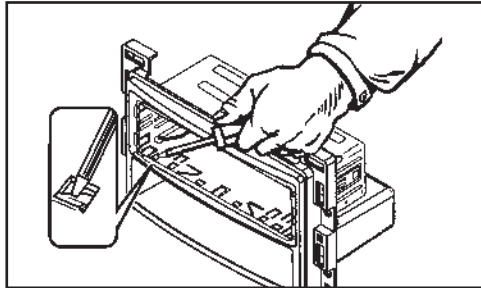
### DIN radio provision with pocket

Refer also to the instructions included with the aftermarket radio.

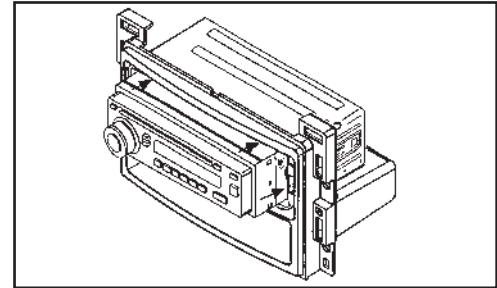
1. Slide the DIN cage into the Radio Housing and secure by bending the metal locking tabs outward. (Figure A)

**Note:** The spacer included in this kit can be used between the radio housing and the DIN cage for vehicles with shallow cavities if necessary. (Figure C)

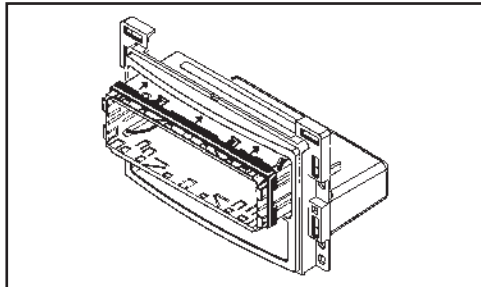
2. Slide the aftermarket radio into the cage until it snaps into place. (Figure B)
3. **Aura, Cobalt, G5, HHR, Sky and Vue only:** Cut and remove top mounting tabs on each side of the Radio Housing. (Figure D)
4. Locate the factory wiring harness in the dash. Metra recommends using the proper mating adapter from Metra or AXCESS. Re-connect the negative battery terminal and test the unit for proper operation.
5. Reassemble dash in reverse order of disassembly.



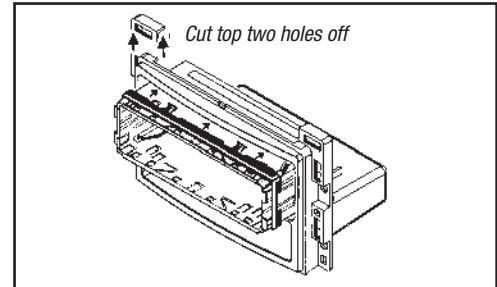
(Figure A)



(Figure B)



(Figure C)



(Figure D)

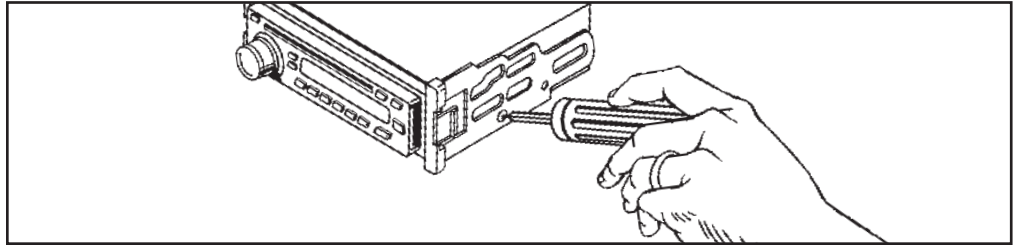


## Kit Assembly 99-3302

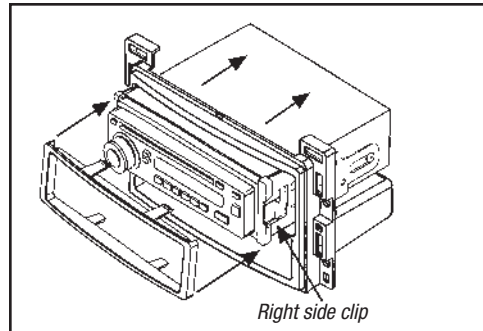
### ISO radio provision with pocket

Refer also to the instructions included with the aftermarket radio.

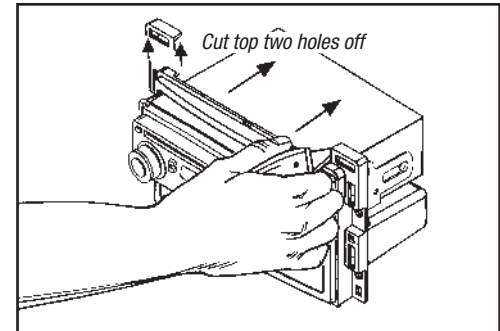
1. Mount the ISO Brackets to the radio using the screws supplied with the radio. (Figure A)
2. Slide the radio into the housing until the side clips engage. (Figure B)
3. Snap the trim plate onto the front of the radio housing. (Figure B)
4. **Aura, Cobalt, G5, HHR, Sky and Vue only:**  
Cut and remove top mounting tabs on each side of the Radio Housing. (Figure C)
5. Locate the factory wiring harness in the dash. Metra recommends using the proper mating adapter from Metra or AXCESS. Re-connect the negative battery terminal and test the unit for proper operation.
6. Reassemble dash in reverse order of disassembly.



(Figure A)



(Figure B)



(Figure C)



INSTALLATION INSTRUCTIONS FOR PART 95-3302 or 99-3302



REV. 9/19/2013 INST-3302



### KNOWLEDGE IS POWER

Enhance your installation and fabrication skills by enrolling in the most recognized and respected mobile electronics school in our industry. Log onto [www.installerinstitute.com](http://www.installerinstitute.com) or call 800-354-6782 for more information and take steps toward a better tomorrow.

**Metra recommends MECP  
certified technicians**





## INSTALLATION INSTRUCTIONS FOR PART 95-3302 o 99-3302

APLICACIONES  
See application list inside

# GM multi-kit 2004-2012 INST-3302

### CARACTERÍSTICAS DEL KIT

95-3302:

- Provisión de radio doble DIN
- Provisión de radio DIN ISO vertical
- **Pintada para igualar el tablero de fábrica**

99-3302:

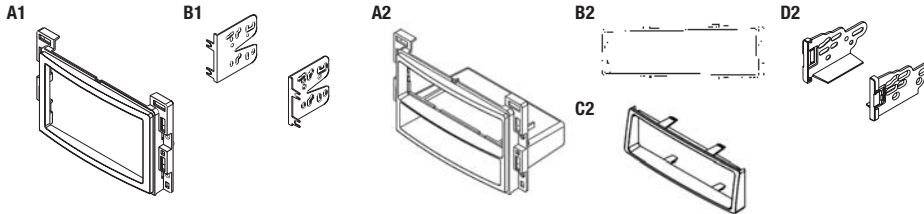
- Provisión de radio DIN con bolsillo
- Provisión de radio ISO con bolsillo
- **Pintada para igualar el tablero de fábrica**



### COMPONENTES DEL KIT

95-3302: • A1) Alojamiento doble DIN • B1) Soportes doble DIN

99-3302: • A2) Alojamiento del radio • B2) Espaciador DIN • C2) Placa de moldura • D2) Soportes ISO



### CABLEADO Y CONEXIONES DE ANTENA

Arnés de cableado: (se venden por separado)

- Visite [www.metraonline.com](http://www.metraonline.com) para ver las aplicaciones específicas de la interfase

Adaptador de antena:

- 40-CR10 - Chrysler adaptador de antena 2002 y mas
- 40-GM10 - GM adaptador de antena 1988 y mas

### HERRAMIENTAS REQUERIDAS

- Destornillador plano pequeño • Herramienta de remoción de panel • Destornillador Phillips • Herramienta toma de corriente • Cortador

**PRECAUCIÓN:** Metra recomienda desconectar el terminal negativo de la batería antes de comenzar cualquier instalación. Todos los accesorios, interruptores y, especialmente, las luces indicadoras de airbag deben estar enchufados antes de volver a conectar la batería a comenzar el ciclo de ignición.

**NOTA:** Remítase a las instrucciones incluidas con el radio de postventa.

REV.9/19/2013 INST-3302



INST-3302

## Aplicaciones

### 95-3302:

#### Chevrolet

Cobalt.....	2005-2010*
Equinox.....	2005-2006
HHR.....	2006-2011
Malibu.....	2004-2007**
Malibu.....	2008-2012**

#### Pontiac

G5.....	2007-2009*
G6.....	2005-2009**
Solstice.....	2006-2009
Torrent.....	2006

#### Saturn

Aura.....	2007-2009
Ion.....	2006-2007
Sky.....	2006-2009
Vue.....	2006-2007

### 99-3302:

#### Chevrolet

Cobalt.....	2005-2010*
Equinox.....	2005-2006
HHR.....	2006-2011
Malibu.....	2004-2007**
Malibu.....	2008-2012

#### Pontiac

G5.....	2007-2009*
G6.....	2005-2010**
G6.....	2009.5-2010
Solstice.....	2006-2009
Torrent.....	2006

#### Saturn

Aura.....	2007-2009
Ion.....	2006-2007
Sky.....	2006-2009
Vue.....	2006-2007

### 95-3302 & 99-3302\*

Cobalt and G5 2005-2006: Para conservar OnStar utilice 99-3303.

### 95-3302 & 99-3302

\*\*Malibu and G6 only: El Centro de Información del Conductor y el radio son una misma unidad. Quitar el radio le impedirá al propietario del vehículo programar cualquiera de las funciones del Centro de Información del Conductor.

*Sin embargo, una vez que las funciones se hayan programado, el vehículo retendrá todos los parámetros. Un kit alternativo, el 99-3303, incluye un centro de información del conductor de reemplazo con capacidades de programación.*

*El 99-3303 no permite instalaciones doble DIN. Nota: Remítase a las instrucciones incluidas con el radio de postventa.*

## Indice

### Desmontaje del tablero

- Chevrolet Cobalt 2005-2010/Pontiac G5 2007-2009.....	3
- Chevrolet Equinox 2005-2006/Pontiac Torrent 2006.....	4
- Chevrolet HHR 2006-2011.....	4
- Chevrolet Malibu 2004-2007.....	5-6
- Chevrolet Malibu 2008-2012.....	6-7
- Pontiac G6 2005-2010/G6 2009.5-2010.....	7
- Pontiac Solstice 2006-2009.....	8
- Saturn Aura 2007-2009.....	9
- Saturn Ion 2006-2007.....	9
- Saturn Sky 2006-2009.....	10
- Saturn Vue 2006-2007.....	10

### Ensamble del kit

- Provisión de radio doble DIN (95-3302).....	12
- Provisión de radio DIN ISO vertical (95-3302).....	13
- Provisión de radio DIN con bolsillo (99-3302).....	14
- Provisión de radio ISO con bolsillo (99-3302).....	15



## Desmontaje del tablero

### Chevrolet Cobalt 2005-2010 Pontiac G5 2007-2009

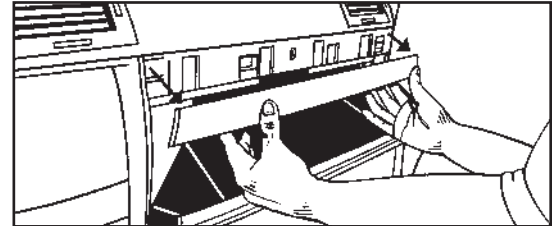
1. Desenganche y retire el panel de la moldura de arriba de la guantera. (Figura A)
2. Desenganche el borde superior del panel debajo de la columna de dirección y déjelo colgando. No es necesario retirar el panel por completo. (Figura B)
3. Desenganche y retire el pequeño panel de

moldura a la derecha del interruptor de encendido. (Figura C)

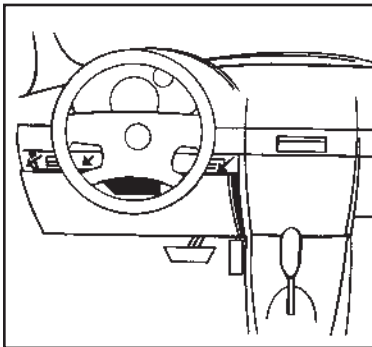
4. Desenganche y retire el panel de moldura que rodea el radio y los controles del clima. (Figura D)

5. Retire los (4) tornillos de 9/32" que sujetan el radio. Desconecte y retire el radio. (Figura E)

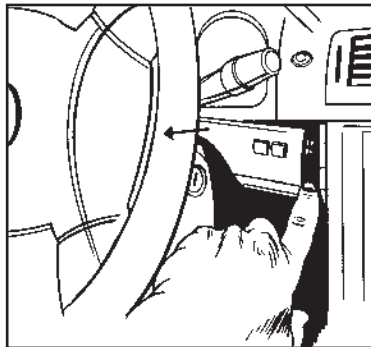
*Continuará al ensamble del kit*



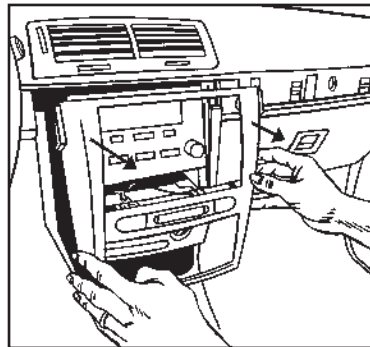
(Figura A)



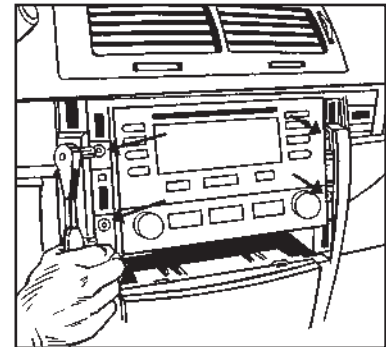
(Figura B)



(Figura C)



(Figura D)



(Figura E)



## Desmontaje del tablero

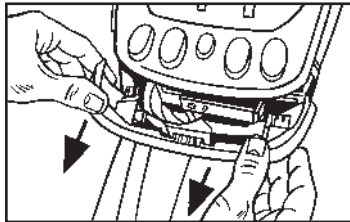
### Chevrolet Equinox 2005-2006 Pontiac Torrent 2006

1. Suelte a presión el panel debajo del interruptor de la ventana eléctrica y retire.

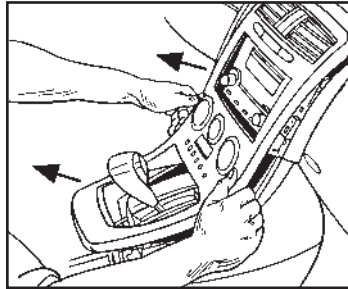
**Nota:** *Nota: Esto le permite desconectar más fácilmente el interruptor de la ventana.* (Figura A)

2. Suelte a presión y retire todo el panel que rodea el radio y la palanca de velocidades. (Figura B)
3. Retire los (4) tornillos de 9/32" que sujetan el radio. Desconecte y retire el radio. (Figura C)

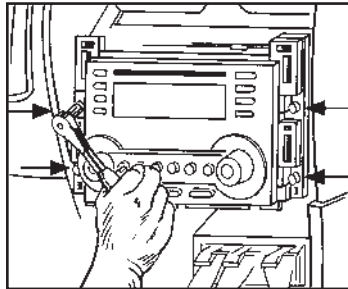
*Continuará al ensamble del kit*



(Figura A)



(Figura B)

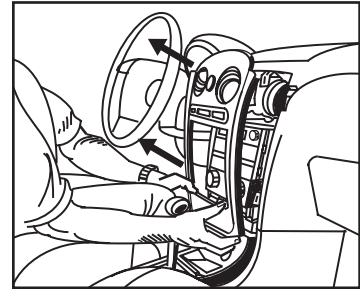


(Figura C)

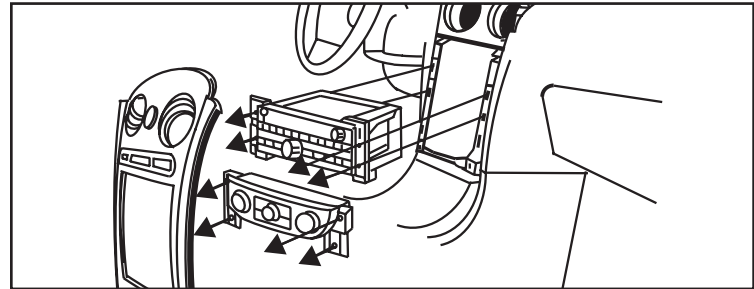
### Chevrolet HHR 2006-2011

1. Desenganche y retire todo el panel que rodea el radio y los controles del clima, incluyendo las rejillas del aire acondicionado. (Figura A)
2. Retire los (8) tornillos de 9/32" que sujetan el radio y el control del aire acondicionado para retirar el radio. (Figura B)

*Continuará al ensamble del kit*



(Figura A)



(Figura B)

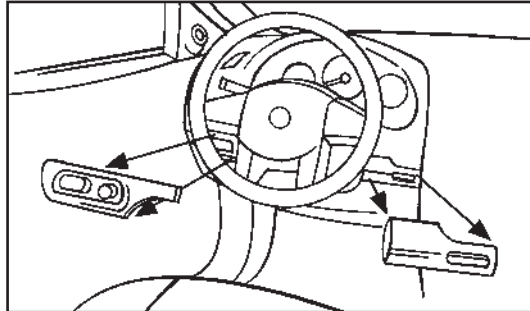


## Desmontaje del tablero

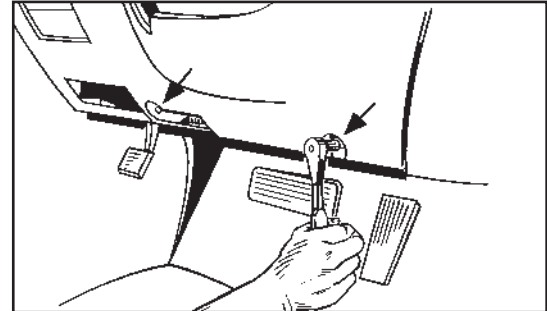
### Chevrolet Malibu 2004-2007

1. Desenganche y retire las piezas de moldura de veta de madera/pintadas de ambos lados del volante. (Figura A)
2. Desenganche y retire el panel lateral del lado del conductor del tablero con la puerta abierta y retire los (2) tornillos de 7mm. (Figura B)
3. Retire los (2) tornillos de 7mm del borde inferior del panel debajo del volante, desenganche el panel y déjelo colgando. No es necesario retirar el panel por completo. (Figura C)
4. Desenganche y retire la pieza de moldura de veta de madera/pintada de arriba de la guantera. (Figura D)

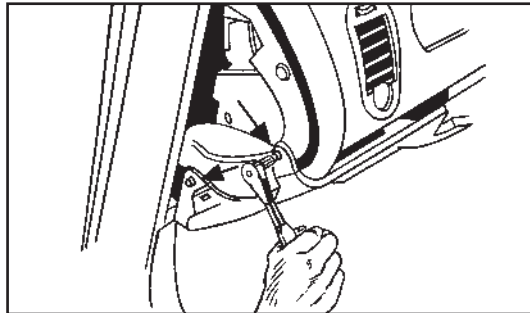
*Continúa en la página*



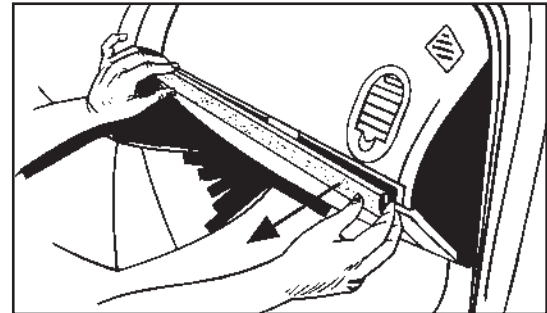
(Figura A)



(Figura C)



(Figura B)

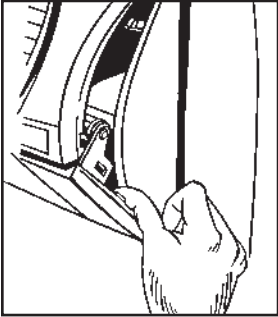


(Figura D)



## Desmontaje del tablero

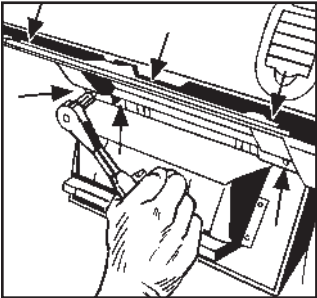
### Chevrolet Malibu 2004-2007



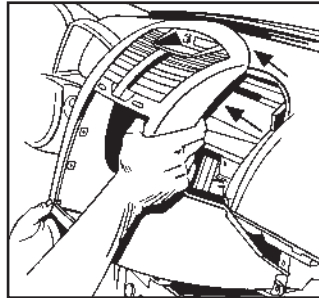
(Figura E)

5. Desenganche y retire el panel lateral del lado del conductor del tablero con la puerta abierta y retire los (2) tornillos de 7mm detrás del panel. (Figura E)
6. Retire los (2) tornillos de 7mm de la parte inferior de la guantera, abra la guantera y apriete los lados para abrirla aún más y retire los (4) tornillos de 7mm restantes. Desenganche la tapa negra de la rejilla debajo de la guantera, luego desenganche y retire todo el ensamble de la guantera. (Figura F)
7. Desenganche y retire el panel de moldura que rodea el radio y los controles del clima. (Figura G)
8. Retire los (4) tornillos de 7mm que sostienen el radio y los (2) tornillos de 7mm que sostienen el control del clima. Desconecte y retire el radio. (Figura H)

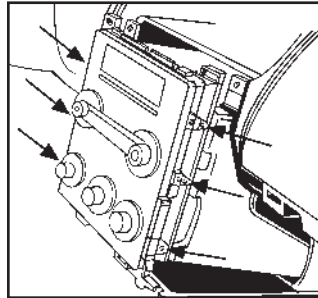
*Continuará al ensamble del kit*



(Figura F)



(Figura G)



(Figura H)

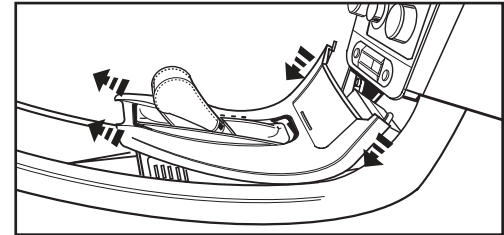
### Chevrolet Malibu 2008-2012

1. Suelte y retire la moldura de la palanca de velocidades. (Figura A)

**Nota:** *empiece alrededor de la palanca de velocidades y asegúrese de jalar hacia abajo antes que hacia atrás, debido a que este panel se desliza hacia arriba debajo de los paneles del radio/clima.*

2. Retire los (2) tornillos de 8mm de la parte inferior del panel del radio/clima.
3. Suelte y retire el panel del clima/radio y el panel de la moldura de la rejilla superior juntos (pueden separarse después de retirarlos). (Figura B,C)
4. Retire los (6) tornillos de 8mm de los controles del radio y clima.

*Continuará al ensamble del kit*

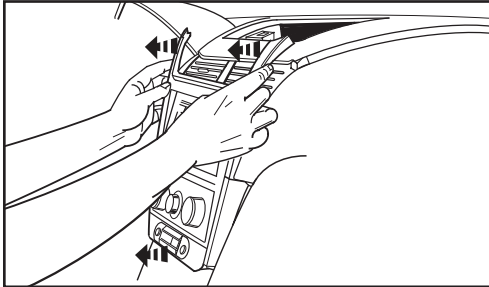


(Figura A)

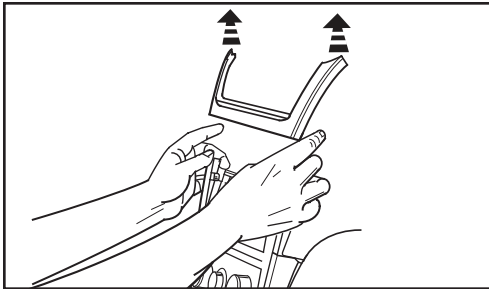


## Desmontaje del tablero

### Chevrolet Malibu 2008-2012



(Figura B)

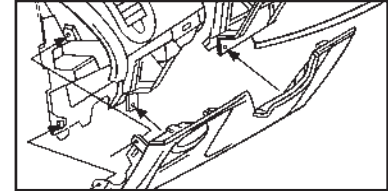


(Figura C)

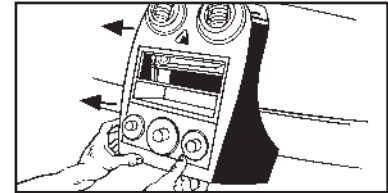
### Pontiac G6 2005-2010/G6 2009.5-2010

1. Abra la guantera y retire los (6) tornillos del borde exterior, luego desenganche y retire la guantera. (Figura A)
2. Retire los (4) tornillos del panel debajo de la columna de dirección. Suelte y retire el panel. (Figura B)
3. Desenganche y retire el panel central que rodea el radio y los controles del clima. (Figura C)
4. Retire los (4) tornillos que sostienen el radio. Desconecte y retire el radio. (Figura D)

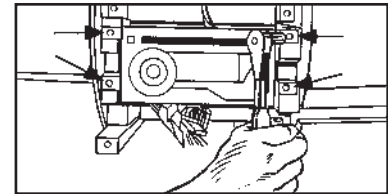
*Continuará al ensamble del kit*



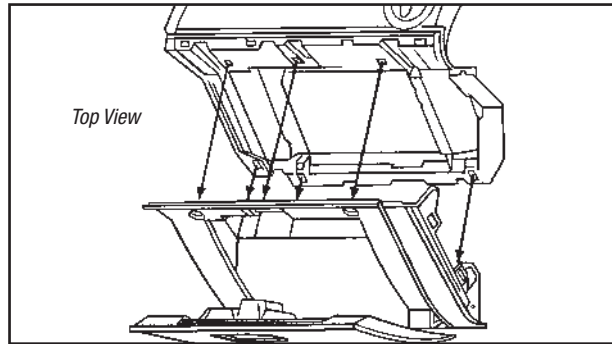
(Figura B)



(Figura C)



(Figura D)



(Figura A)



## Desmontaje del tablero

### Pontiac Solstice 2006-2009

#### 1. (A) Transmisión manual:

Levante el borde inferior de la placa de la moldura del conjunto del panel de instrumentos lo suficiente para meter la mano debajo y liberar las pestañas retenedoras del aro de la moldura de la bota de la palanca de velocidades. (Figura A)

Levante la bota de la palanca de velocidades y afloje el tornillo de sujeción para liberar la palanca de velocidades. (Figura B)

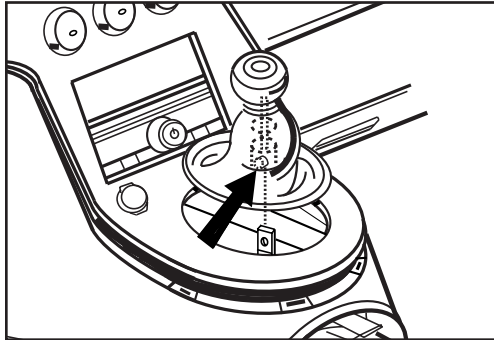
#### 1. (B) Transmisión automática:

Suelte y retire el aro de la moldura de la palanca de

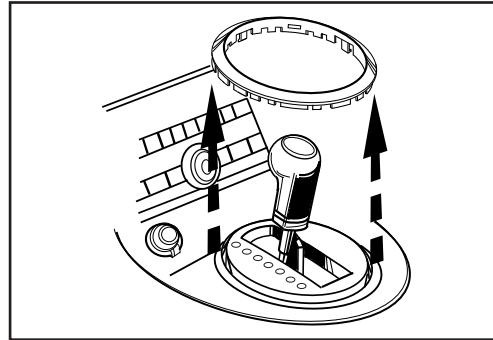
velocidades. (Figura C)

2. Desenganche y retire el panel de moldura de el mango de asistencia del pasajero. (Figura D)
3. Retire los (2) pernos que sostienen el mango de asistencia del pasajero. (Figura D)
4. Desenganche y retire el panel de la moldura del tablero.
5. Retire los (4) tornillos que sostienen el radio. Desconecte y retire el radio.

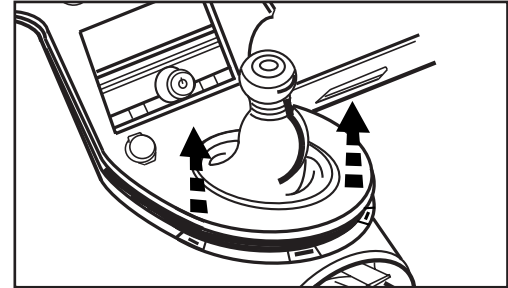
*Continuará al ensamble del kit*



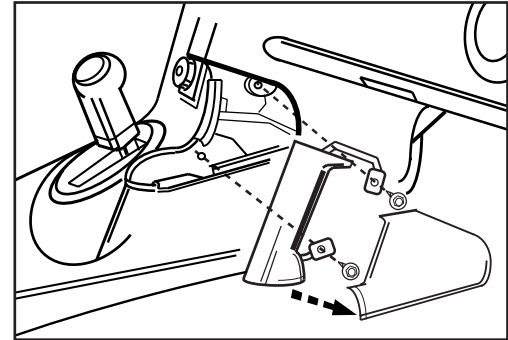
(Figura B)



(Figura C)



(Figura A)



(Figura D)



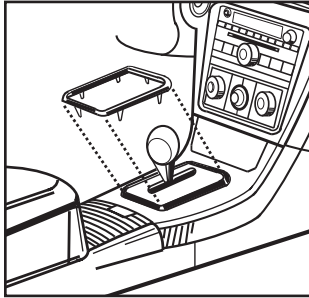


## Desmontaje del tablero

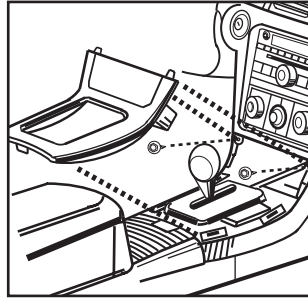
### Saturn Aura 2007-2009

1. Desenganche y retire el aro de la moldura de la palanca de velocidades. (Figura A)
2. Desenganche y retire el panel de la moldura de la consola central, luego retire los (2) tornillos del borde inferior del panel de la moldura del tablero. (Figura B)
3. Desenganche y retire el aro de la moldura del interruptor de llave, luego desenganche y retire el panel de la moldura del tablero. (Figura C)
4. Retire los (2) tornillos que sostienen los controles del clima.
5. Retire los (4) tornillos que sostienen el radio. Desconecte y retire el radio.

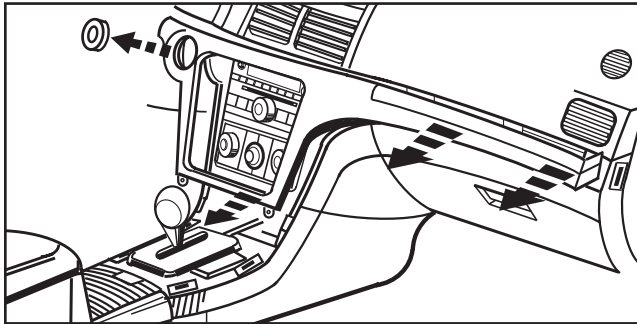
*Continuará al ensamble del kit*



(Figura A)



(Figura B)

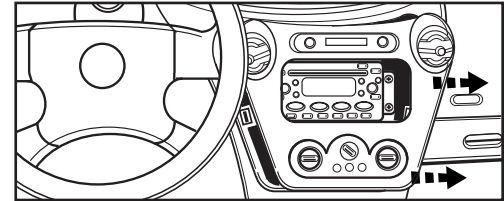


(Figura C)

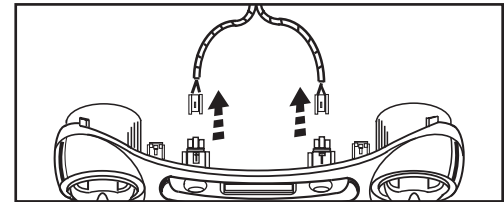
### Saturn Ion 2006-2007

1. Desenganche el panel de moldura del radio. (Figura A)
2. Desconecte los conectores del panel de la moldura y retire el panel. (Figura B)
3. Retire los (4) tornillos que sostienen el radio. Desconecte y retire el radio.

*Continuará al ensamble del kit*



(Figura A)



(Figura B)

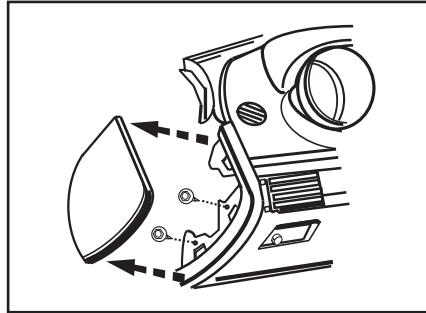


## Desmontaje del tablero

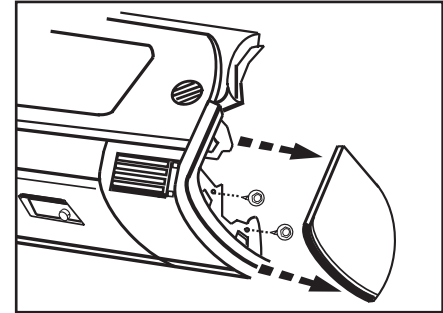
### Saturn Sky 2006-2009

1. Desenganche y retire el panel lateral del lado del conductor del tablero con la puerta abierta y retire los (2) tornillos de 7mm. (Figura A)
2. Retire los (2) tornillos de 7mm del borde inferior del panel debajo del volante, desenganche el panel y retírelo.
3. Desenganche y retire el panel lateral del lado del conductor del tablero con la puerta abierta y retire los (2) tornillos de 7mm detrás del panel. (Figura B)
4. Abra la guantera y desconecte el amortiguador de la guantera del ensamblaje de la misma. Apriete los lados uno hacia otro para abrir aún más. (Figura C)
5. Retire las (2) tapas de los pernos del borde de la parte superior del bastidor de la guantera. (Figura C)
6. Retire los (5) pernos del bastidor de la guantera y retire el bastidor. (Figura C)
7. Suelte y retire el panel de la moldura del control de clima. (Figura D)
8. Quite (1) tornillo de la esquina inferior izquierda del panel de la radio asiento y desenchufar los conectores para retirar el panel. (Figura D)
9. Retire (4) tornillos que fijan la radio. Desconecte y retire la radio.

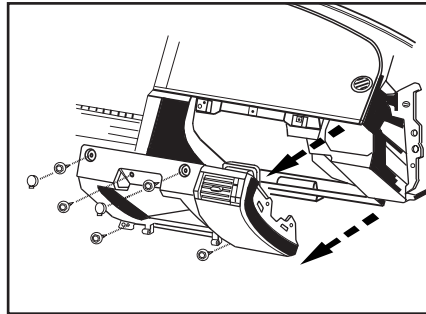
*Continuará al ensamble del kit*



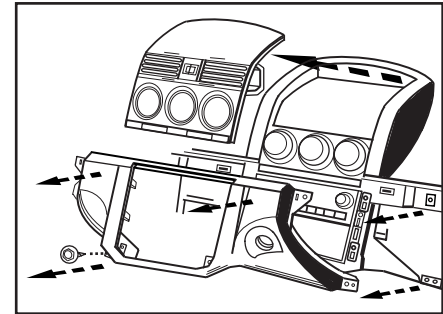
(Figura A)



(Figura B)



(Figura C)



(Figura D)

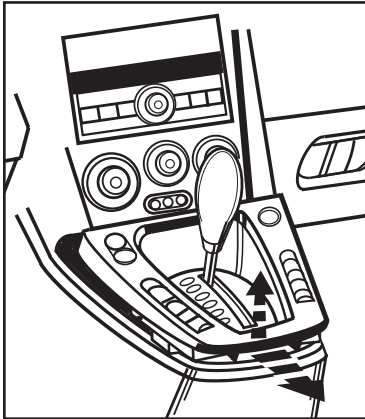


## Desmontaje del tablero

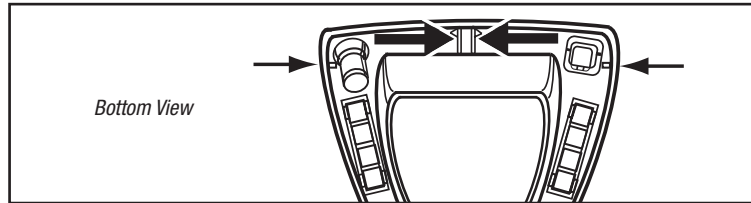
### Saturn Vue 2006-2007

1. Sostenga el borde delantero del panel de la moldura de la palanca de velocidades y jale hacia afuera y hacia arriba. (Figura A)
2. Apriete las pestañas de bloqueo localizadas en el borde delantero del panel de la moldura para liberar el borde delantero del panel de la consola central. (Figura B)
3. Jale hacia arriba el panel para liberar el resto de los ganchos y retire el panel de la moldura.
4. Retire los (4) tornillos que sujetan la cavidad de almacenamiento y retire la cavidad. (Figura C)
5. Desenganche y retire el panel de la moldura del tablero central. (Figura D)
6. Retire los (4) tornillos que sostienen el radio. Desconecte y retire el radio.

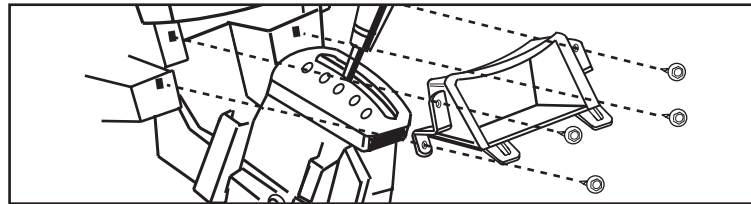
*Continuará al ensamble del kit*



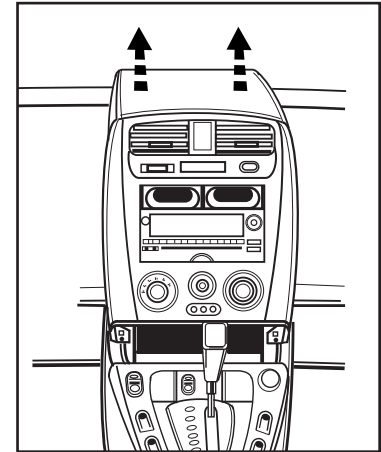
(Figura A)



(Figura B)



(Figura C)



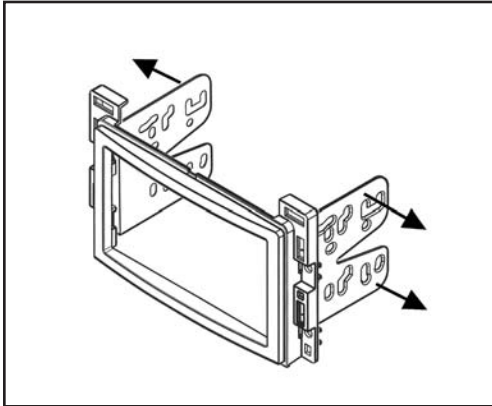
(Figura D)



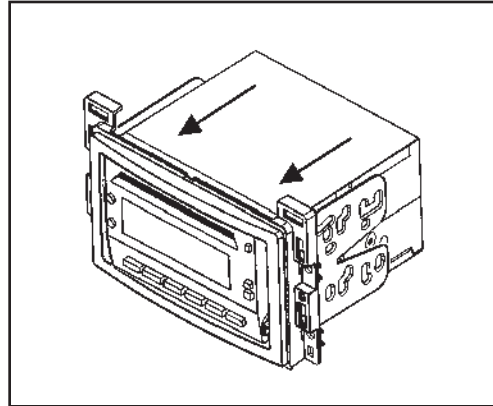
## Ensamble del kit 95-3302

### Provisión de radio doble DIN

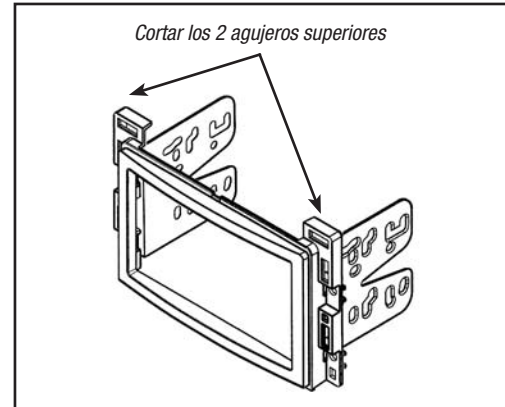
1. Deslice el soporte correspondiente en la placa de la moldura, alineando los orificios de la placa con los ganchos del soporte. (Figura A)
2. Deslice la unidad del radio DDIN en el ensamble del soporte de la placa de la moldura y sujete la unidad al kit con los tornillos suministrados con la unidad central. (Figura B)
3. **Aura, Cobalt, G5, HHR, Sky and Vue only:** Corte y retire las pestañas de montaje superior a cada lado de la carcasa del radio. (Figura C)
4. Ubique el arnés del cableado de fábrica en el tablero. Metra recomienda usar el adaptador de acoplamiento adecuado de Metra o AXCESS. Vuelva a conectar el terminal negativo de la
5. Vuelva a montar el tablero en forma inversa al desmontaje.



(Figura A)



(Figura B)



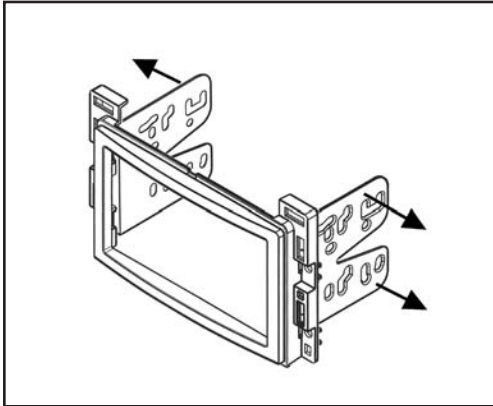
(Figura C)



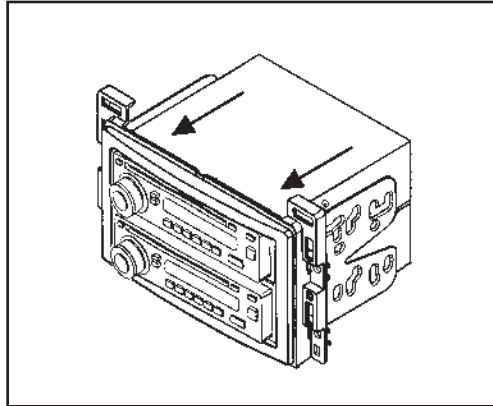
## Ensamble del kit 95-3302

### Provisión de radio DIN ISO vertical

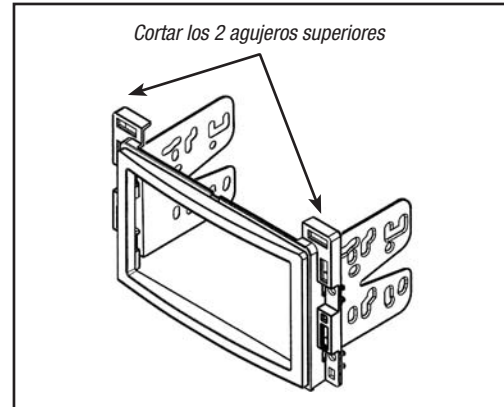
1. Deslice las unidades ISO DIN verticales en el ensamblaje de soporte de la placa de la moldura y sujete las unidades al kit con los tornillos suministrados con las unidades centrales. (Figura A y B)
2. **Aura, Cobalt, G5, HHR, Sky and Vue only:** Corte y retire las pestañas de montaje superior a cada lado de la carcasa del radio. (Figura C)
3. Ubique el arnés del cableado de fábrica en el tablero. Metra recomienda usar el adaptador de acoplamiento adecuado de Metra o AXCESS. Vuelva a conectar el terminal negativo de la batería y pruebe la unidad para verificar que funcione correctamente.
4. Vuelva a montar el tablero en forma inversa al desmontaje.



(Figura A)



(Figura B)



(Figura C)



## Ensamble del kit 99-3302

### Provisión de radio DIN con bolsillo

Remítase a las instrucciones incluidas con el radio de postventa.

1. Deslice la caja DIN en el alojamiento del radio y sujétela doblando las lengüetas de cierre de metal hacia afuera. (Figura A)

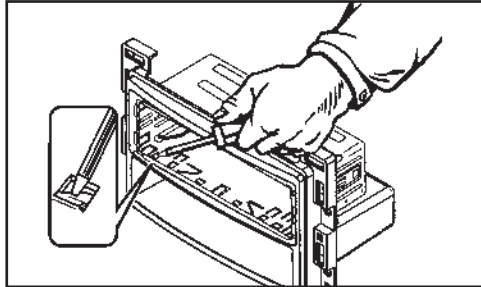
**Nota:** El espaciador incluido en este kit puede utilizarse entre el alojamiento del radio y la caja DIN para vehículos con huecos superficiales, si es necesario. (Figura C)

2. Deslice el radio de posventa en la caja hasta que calce a presión en su lugar. (Figura B)

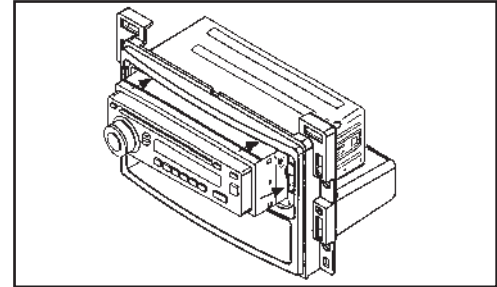
3. **Aura, Cobalt, G5, HHR, Sky and Vue only:** Corte y retire las lengüetas de montaje que se encuentran en la parte superior de cada lado del alojamiento del radio. (Figura D)

4. Ubique el arnés del cableado de fábrica en el tablero. Metra recomienda usar el adaptador de acoplamiento adecuado de Metra o AXCESS. Vuelva a conectar el terminal negativo de la batería y pruebe la unidad para verificar que funcione correctamente.

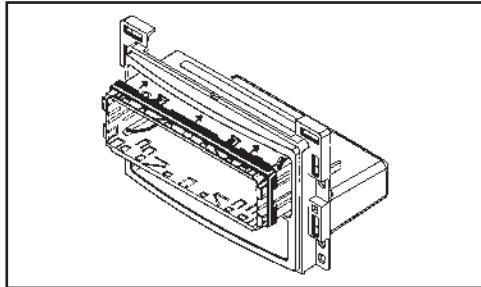
5. Vuelva a montar el tablero en forma inversa al desmontaje.



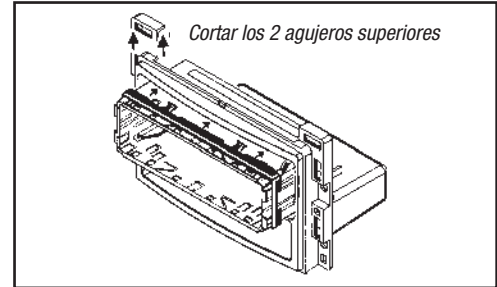
(Figura A)



(Figura B)



(Figura C)



(Figura D)

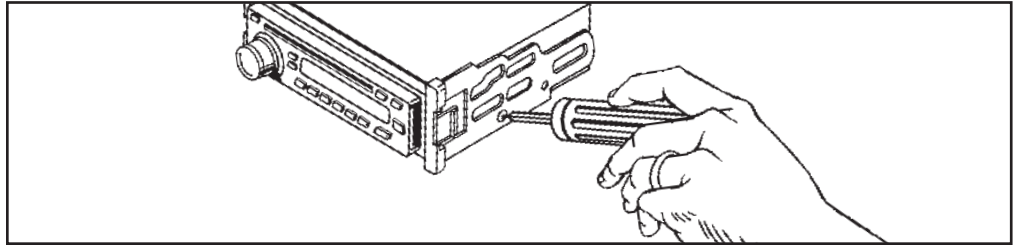


## Ensamble del kit 99-3302

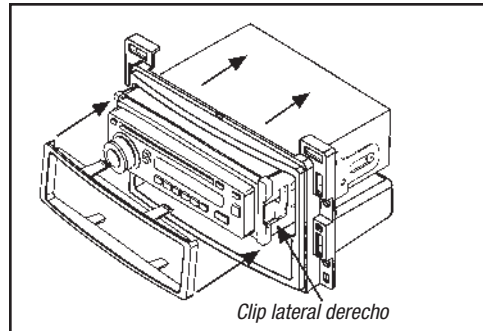
### Provisión de radio ISO con bolsillo

Remítase a las instrucciones incluidas con el radio de postventa.

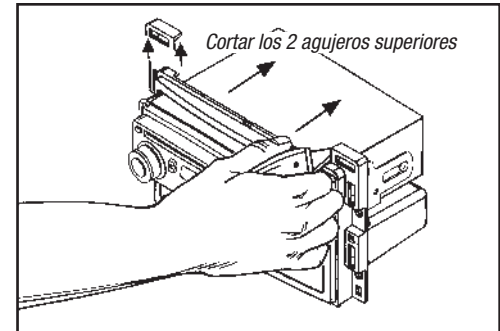
1. Monte los soportes ISO en el radio utilizando los tornillos suministrados con el radio. (Figura A)
2. Deslice la radio en la carcasa hasta que los ganchos laterales participen. (Figura B)
3. Encaje la placa de compensación en la parte frontal de la carcasa de la radio. (Figura B)
4. **Aura, Cobalt, G5, HHR, Sky and Vue only:** Corte y retire las lengüetas de montaje que se encuentran en la parte superior de cada lado del alojamiento del radio. (Figura C)
5. Ubique el arnés del cableado de fábrica en el tablero. Metra recomienda usar el adaptador de acoplamiento adecuado de Metra o AXCESS. Vuelva a conectar el terminal negativo de la batería y pruebe la unidad para verificar que funcione correctamente.
6. Vuelva a montar el tablero en forma inversa al desmontaje.



(Figura A)



(Figura B)



(Figura C)



INSTALLATION INSTRUCTIONS FOR PART 95-3302 o 99-3302



REV.9/19/2013 INST-3302



**EL CONOCIMIENTO ES PODER**  
Mejore sus habilidades de instalación y fabricación inscribiéndose en la escuela de dispositivos electrónicos móviles más reconocida y respetada de nuestra industria. Regístrese en [www.installerinstitute.com](http://www.installerinstitute.com) o llame al 800-354-6782 para obtener más información y avance hacia un futuro mejor.



**Metra recomienda técnicos con certificación del Programa de Certificación en Electrónica Móvil (Mobile Electronics Certification Program, MECP).**

**METRA. The World's best kits.™**

**1-800-221-0932**

**metraonline.com**

© COPYRIGHT 2004-2011 METRA ELECTRONICS CORPORATION