



Harley Davidson DSP Package with Water Resistant Enclosure 1998-2013

INTERFACE FEATURES

- Water resistant plug-n-play harness for the BC-DSPX-HD1
- BC-DSPX-HD1 included
- Water resistant enclosure with zip-tie mounts included
- Amplifier, if equipped, does not need to be retained
- All wiring will be done at the radio location
- USB Micro-B updatable

INTERFACE COMPONENTS

- BC-DSPX-HD1 circuit board
- BC-DSPX-HD1 harness (with gaskets)
- BC-DSPX-HD1 enclosure
 - Case
 - Cap (with O-ring)

TABLE OF CONTENTS

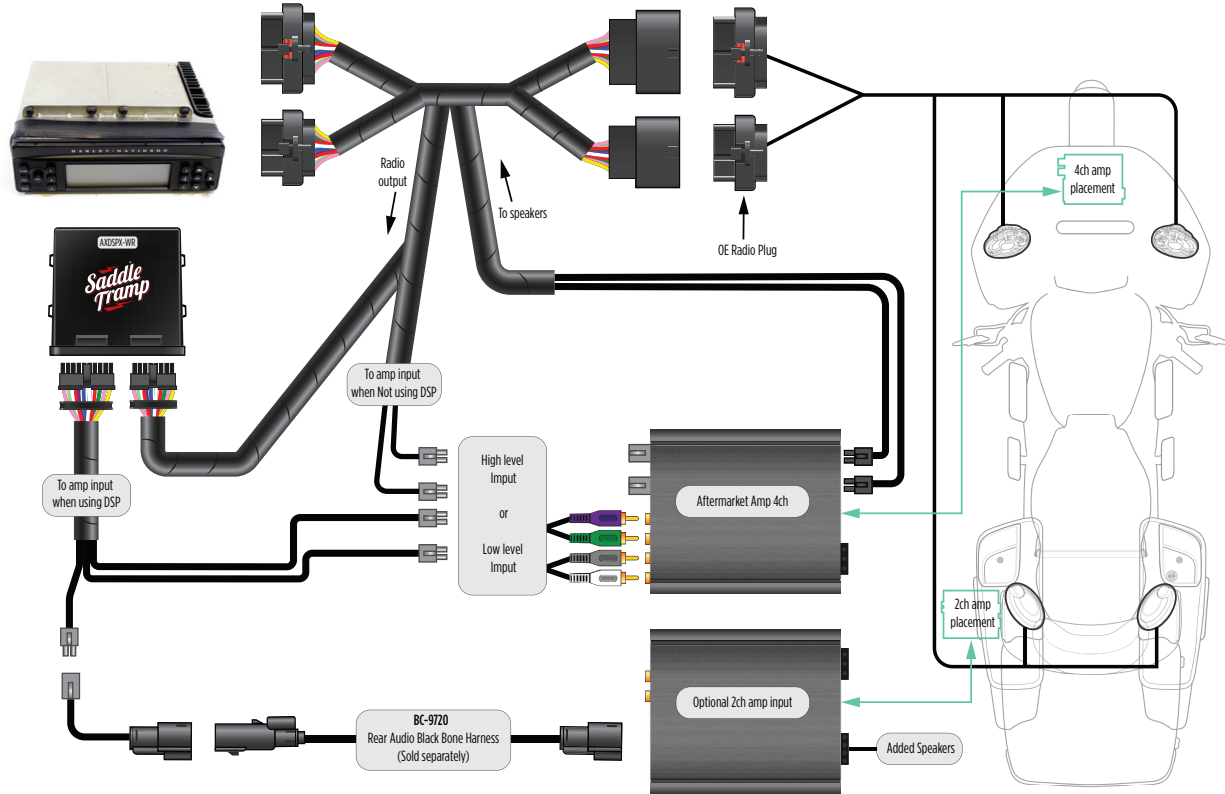
Connections	2
Installation	3-4

TOOLS REQUIRED

- Wire cutter
 - Crimp tool and connectors (example: butt-connectors, bell caps, etc.)
- or
- Solder gun, solder, and heat shrink
 - Tape
 - Zip-ties

ATTENTION: With the key out of the ignition, disconnect the negative battery terminal before installing this product. Ensure that all installation connections are secure before cycling the ignition to test this product.
NOTE: Refer also to the instructions included with the aftermarket radio.

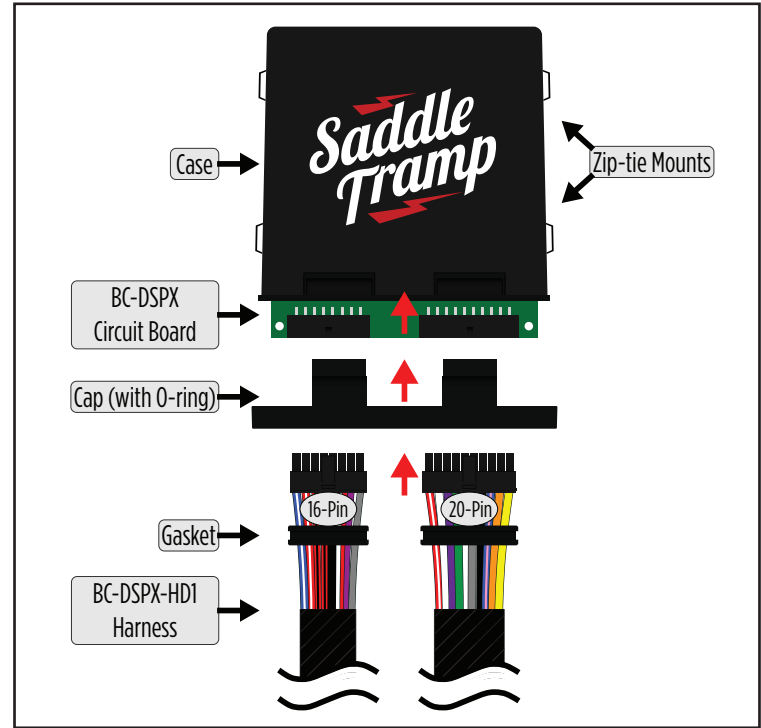
CONNECTIONS



INSTALLATION

1. Remove the fairing to access the back of the factory radio. Refer to [MetraOnline](#), part number 99-9600 for fairing disassembly instructions.
2. Install the **BC-DSPX-HD1 harness** and make all necessary connections, but leave the amp turn-on wire disconnected.
3. With the arrow stamped onto the cap facing upwards, push the 16-pin connector from the **BC-DSPX-HD1 harness** into the left side of the cap. The locking clip on the connector should face upward. Make sure the gasket is seating properly in the cap. (Figure A)
4. With the arrow stamped onto the cap still facing upwards, push the 20-pin connector from the **BC-DSPX-HD1 harness** into the right side of the cap. The locking clip on the connector should face upward. Make sure the gasket is seating properly in the cap. (Figure A)
5. Plug the 16-pin and 20-pin connectors from the **BC-DSPX-HD1 harness** into the **BC-DSPX circuit board**. (Figure A)
6. Slide the assembly into the case, then click it shut. Zip-tie the enclosure to a secure location in the fairing to secure it. Make sure the Saddle Tramp logo is facing up to further ensure that no outside elements can enter the enclosure.

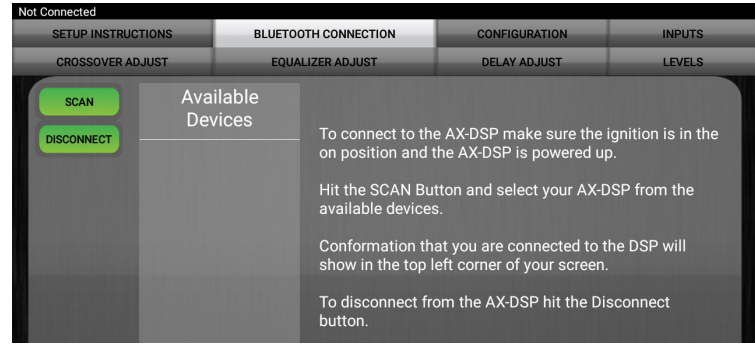
Continued on the next page



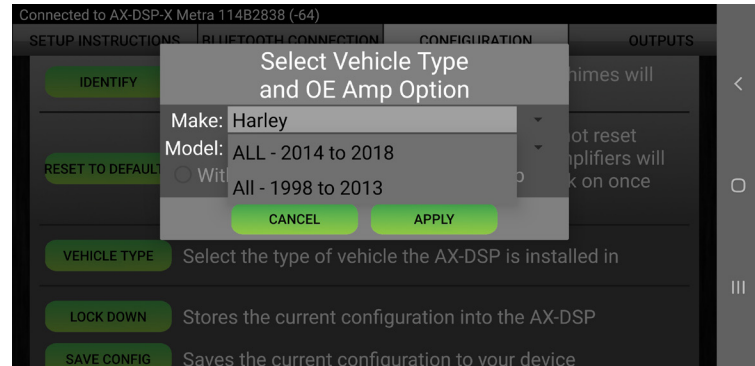
(Figure A)

INSTALLATION (CONT'D)

- Download and install the **AXDSP-XL App** from the **Google Play Store** or **Apple App Store**.
- Open the app and follow the instructions on the **Bluetooth Connection** tab to pair the mobile device to the **BC-DSPX-HD1**. (Figure B)
- Scroll to the **Configuration** tab then select the vehicle type. Press the **Lock Down** button to save the configuration. (Figure C)
- Connect the amp turn-on wire from the **BC-DSPX-HD1 harness**.
- Click the **Identify** button to confirm that the **BC-DSPX-HD1** is connected properly. If so, a chime will be heard from the front left speaker. Test all functions of the installation for proper operation.
- Adjust the DSP settings in the app as desired. Refer to the instructions under the **Setup Instructions** tab, or online at [AxxessInterfaces](#) for an explanation of each tab in the app.



(Figure B)



(Figure C)







Having difficulties? We're here to help.



Contact our Tech Support line at:

386-257-1187



Or via email at:

techsupport@metra-autosound.com

Tech Support Hours (Eastern Standard Time)

Monday - Friday: 9:00 AM - 7:00 PM

Saturday: 10:00 AM - 7:00 PM

Sunday: 10:00 AM - 4:00 PM



KNOWLEDGE IS POWER

Enhance your installation and fabrication skills by enrolling in the most recognized and respected mobile electronics school in our industry. Log onto www.installerinstitute.edu or call 386-672-5771 for more information and take steps toward a better tomorrow.



**Metra recommends MECP
certified technicians**