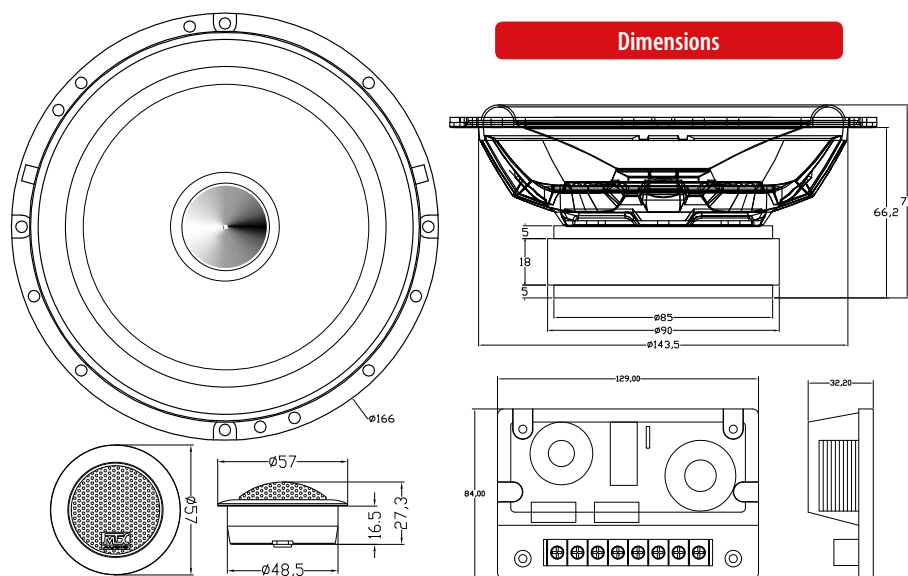


TX665S

6.5" 4Ω 90W RMS 2-way Separate spk, aluminum frame, TSV voice coil, silk dome neodymium tweeter



Exceptional construction quality

Exceptional sound quality

Treated paper cone coated with glass particles for more musicality

The best 30mm TSV TIL voice coil for the best sound quality

Extra large strontium magnet (90x40mm) for better control and more power handling

Injected aluminum frame for more rigidity and less vibration

Top level Ø28mm neodymium tweeter with silk dome for more details

Passive x-over with the best passive components (air coils, polypropylene caps)

Aluminum phase plug to reduce stationary waves

Soft and musical sound quality with deep bass and detailed midrange

Complementary products



TX480D RFL4120 RFL5300

Specifications

- 2-way separate speakers
- Diameter : 16,5cm (6.5")
- Peak Power : 360W
- RMS Power : 90W
- Sensitivity : 93,5dB/2,83v/1m
- Impedance : 4Ω
- Response : 40Hz - 28000Hz
- Mounting Depth : 66mm
- 28mm silk dome tweeter
- Grilles included

mtxaudio.eu

facebook.com/MTXEurope

twitter.com/MTXEurope