

VERSION 1.2

# MUSWAY

MUSIC IS THE WAY

# DSP68

8-CHANNEL DSP PROCESSOR  
WITH PC/APP CONTROL

## TECHNICAL SPECIFICATIONS

### POWER SUPPLY

Voltage:	7 - 15 VDC
Idle current:	0.5 A
Switched off:	<0.1 mA
Remote IN:	9 - 15 VDC (1 mA)
Remote OUT:	11 - 15 VDC (200 mA)
Fuse:	3 A internal

### AUDIO STAGE

Distortion - THD (1 kHz @ 4 Ω, 90% Power):	0.05 %
Bandwidth (-3 dB, 6 V RMS, 4Ω):	15 Hz - 22 kHz
S/N ratio @ A weighted, 1 V, Max. Power:	95 dB A
Input sensitivity:	3 V - 21 V RMS (High Level); 1 V - 5 V RMS (Low Level)
Input impedance:	13 Ω (High Level); 47 kΩ (Low Level)

### SIGNAL CONNECTIONS

6 x High Level Input with EPS via 12-pole Cable Adapter
6 x RCA Low Level Input
2 x RCA AUX Input
8 x RCA Pre-Output with 6.5 V RMS Max.
1 x Optical Input (PCM, 96 kHz / 24 bit)

## Declaration of Conformity

Audio Design GmbH hereby declares that the MUSWAY DSP68 device complies with Directive 2014/53/EU. The full declaration of conformity can be viewed at [www.musway.de/CE](http://www.musway.de/CE)

**DIGITAL SIGNAL PROCESSOR (32 bit Clock speed: 330 MHz)**

Crossover:	Full / Hi Pass / Lo Pass / Band Pass
Crossover type and slope:	Bessel / Butterworth / Linkwitz @ 12/18/24/30/36/42/48 dB
Crossover Frequency:	1 Hz step @ 20 Hz - 20 kHz
Phase inversion:	0° / 180°
Output Equalizer:	31-Band Parametrical Equalizer: ±12 dB
Time Alignment Distance:	0 - 692 cm
Time Alignment Delay:	0 - 20 ms
Time Alignment Step:	0,08 ms; 2,8 cm
Time Alignment Fine Set:	0,02 ms; 0,7 cm
Presets (Local Stored):	6 Presets

**GENERAL REQUIREMENTS**

PC connections	Micro USB (1.1 / 2.0 / 3.0)
Software/PC requirements:	Microsoft Windows (32/64 bit): XP, Vista, Windows 7, Windows 8, Windows 10
Graphic card min. resolution:	1024 x 768
Ambient operating temperature range:	0 - 55 °C

**SIZE / WEIGHT**

Size without brackets (mm):	181 x 123,5 x 41
Net Weight (kg):	0,4

**SCOPE OF DELIVERY**

- 1 x DSP68 Processor
- 1 x 1,5 m USB Cable
- 1 x 4-pole Power Cable Adapter
- 1 x 12-pole Cable Adapter (High Level Input)
- 1 x Owner's Manual (English/German)

## SAFETY INSTRUCTIONS

**THE PURCHASED DEVICE IS ONLY SUITABLE FOR AN OPERATION WITH A 12V ON-BOARD ELECTRICAL SYSTEM OF A VEHICLE.** Otherwise fire hazard, risk of injury and electric shock consists.

**PLEASE DO NOT MAKE ANY OPERATION OF THE SOUND SYSTEM, WHICH DISTRACT YOU FROM A SAFE DRIVING.** Do not make any procedures, which demand a longer attention. Perform these operations not until you have stopped the vehicle on a safe place. Otherwise the risk of accident consists.

**ADJUST THE SOUND VOLUME TO AN APPROPRIATE LEVEL, THAT YOU ARE STILL ABLE TO HEAR EXTERIOR NOISES WHILE DRIVING.** High performance sound systems in vehicles may generate the acoustic pressure of a live concert. The permanent listening to extreme loud music may cause the loss of your hearing abilities. The hearing of extreme loud music while driving may derogate your cognition of warning signals in the traffic. In the interests of the common safeness, we suggest to drive with a lower sound volume. Otherwise the risk of accident consists.

**DO NOT COVER COOLING VENTS AND HEAT SINKS.** Otherwise this may cause heat accumulation in the device and fire hazard consists.

**DO NOT OPEN THE DEVICE.** Otherwise fire hazard, risk of injury and electric shock consists. Also this may cause a loss of the warranty.

**REPLACE FUSES ONLY WITH FUSE WITH THE SAME RATING.** Otherwise fire hazard and risk of electric shock consists.

**DO NOT USE THE DEVICE ANY LONGER, IF A MALFUNCTION OCCURS, WHICH REMAINS NOT REMEDIED.** Refer in this case to the chapter TROUBLE SHOOTING. Otherwise risk of injury and the damage of the device consists. Commit the device to an authorized retailer.

**INTERCONNECTION AND INSTALLATION SHOULD BE ACCOMPLISHED BY SKILLED STAFF ONLY.** The interconnection and installation of this device demands technical aptitude and experience. For your own safeness, commit the interconnection and installation to your car audio retailer, where you have purchased the device.

**DISCONNECT THE GROUND CONNECTION FROM THE VEHICLE'S BATTERY BEFORE INSTALLATION.** Before you start with the installation of the sound system, disconnect by any means the ground supply wire from the battery, to avoid any risk of electric shock and short circuits.

**CHOOSE AN APPROPRIATE LOCATION FOR THE INSTALLATION OF THE DEVICE.** Look for an appropriate location for the device, which ensures a sufficient air circulation. The best places are spare wheel cavities, and open spaces in the trunk area. Less suitable are storage spaces behind the side coverings or under the car seats.

**DO NOT INSTALL THE DEVICE AT LOCATIONS, WHERE IT WILL BE EXPOSED TO HIGH HUMIDITY AND DUST.** Install the device at a location, where it will be protected from high humidity and dust. If humidity and dust attain inside the device, malfunctions may be caused.

**MOUNT THE DEVICE AND OTHER COMPONENTS OF THE SOUND SYSTEM SUFFICIENTLY.** Otherwise the device and components may get loose and act as dangerous objects, which could cause serious harm and damages in the passenger room.

**ENSURE CORRECT CONNECTION OF ALL TERMINALS.** Faulty connections may could cause fire hazard and lead to damages of the device.

**MOUNT THE DEVICE AND OTHER COMPONENTS OF THE SOUND SYSTEM SUFFICIENTLY.** Otherwise the device and components may get loose and act as dangerous objects, which could cause serious harm and damages in the passenger room.

**ENSURE NOT TO DAMAGE COMPONENTS, WIRES AND CABLES OF THE VEHICLE WHEN YOU DRILL THE MOUNTING HOLES.** If you drill the mounting holes for the installation into the vehicle's chassis, ensure by any means, not to damage, block or tangent the fuel pipe, the gas tank, other wires or electrical cables.

**DO NOT INSTALL AUDIO CABLES AND POWER SUPPLY WIRES TOGETHER.** Ensure while installation not to lead the audio cables between the head unit and the processor together with the power supply wires on the same side of the vehicle. The best is a areal separated installation in the left and right cable channel of the vehicle. Therewith a overlap of interferences on the audio signal will be avoided. This stands also for the equipped bass-remote wire, which should be installed not together with the power supply wires, but rather with the audio signal cables.

**ENSURE THAT CABLES MAY NOT CAUGHT UP IN CLOSE-BY OBJECTS.** Install all the wires and cables like described on the following pages, therewith these may not hinder the driver. Cables and wires which are installed close-by the steering wheel, gear lever or the brake pedal, may caught up and cause highly dangerous situations.

**DO NOT SPLICE ELECTRICAL WIRES.** The electrical wires should not be bared, to provide power supply to other devices. Otherwise the load capacity of the wire may get overloaded. Use therefor a appropriate distribution block. Otherwise fire hazard and risk of electric shock consists.

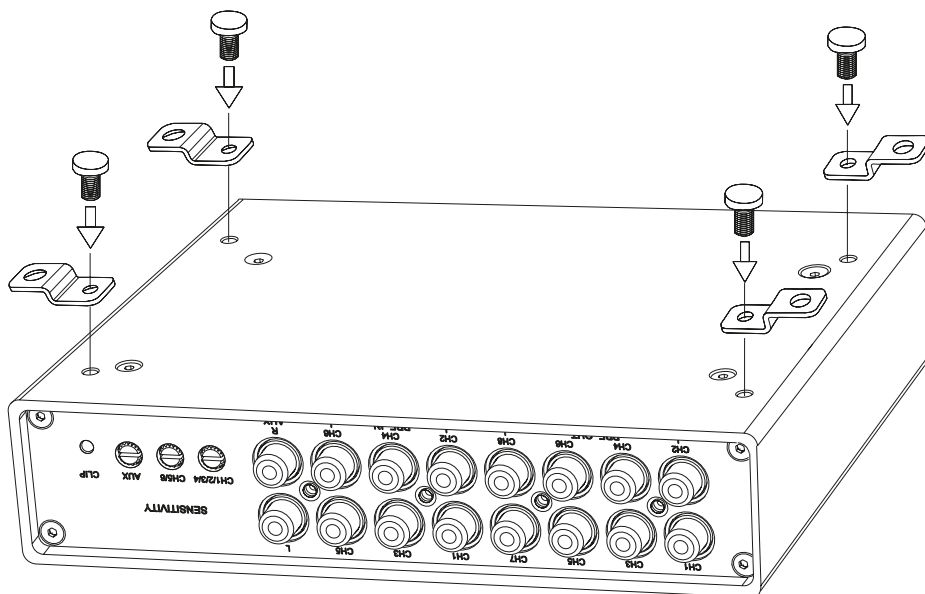
**DO NOT USE BOLTS AND SCREW NUTS OF THE BRAKE SYSTEM AS GROUND POINT.** Never use for the installation or the ground point bolts and screw-nuts of the brake system, steering system or other security-relevant components. Otherwise fire hazard consists or the driving safety will be derogated.

**ENSURE NOT TO BEND OR SQUEEZE CABLES AND WIRES BY SHARP OBJECTS.** Do not install cables and wires not close-by movable objects like the seat rail or may be bent or harmed by sharp and barbed edges. If you lead a wire or cable through the hole in a metal sheet, protect the insulation with a rubber grommet.

**KEEP AWAY SMALL PARTS AND JACKS FROM CHILDREN.** If objects like these will be swallowed, the risk of serious injuries consists. Consult promptly a medical doctor, if a child swallowed a small object.

## MECHANICAL INSTALLATION

- Avoid any damages on the components of the vehicle like air bags, cables, board computer, seat belts, gas tank or the like.
- Ensure that the chosen location provides a sufficient air circulation for the device. Do not mount the device into small or sealed spaces without air circulation near by heat dispersing parts or electrical parts of the vehicle.
- Do not mount the device on top of a subwoofer box or any other vibrating parts, whereby parts could loosen inside.
- The wires and cables of power supply and the audio signal must be as short as possible to avoid any losses and interferences.



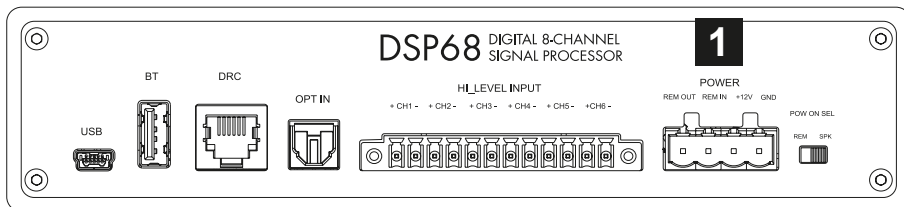
### WARNING

Before you start with the installation, disconnect necessarily the **GROUND** connection wire from the battery to avoid any risk of electric shocks and short circuits.

## ELECTRICAL INTERCONNECTION

### BEFORE CONNECTING

For the professional installation of a sound system, car audio retail stores offers appropriate wiring kits. Ensure a sufficient profile section (at least  $\varnothing 2,5$  mm), a suitable fuse rating and the conductivity of the cables when you purchase your wiring kit. Clean and remove rust-streaked and oxidized areas on the contact points of the battery and the ground connection. Make sure that all screws are fixed tight after the installation, because loose connections cause malfunctions, insufficient power supply or interferences.



# 1

### POWER

Connect the POWER +12V terminal (+12V) with the +12V pole of the vehicle's battery. Use a suitable cable with a sufficient cross section (at least  $\varnothing 2,5$  mm) and install an additional in-line fuse. For safety reasons the distance between the fuse block and the battery should be shorter than 30 cm. Do not set in the fuse into the fuse block until the installation is accomplished.

Connect the POWER GND terminal (– ground) with a suitable contact ground point on the vehicle's chassis. The ground wire must be as short as possible and must be connected to a blank metallic point at the vehicle's chassis. Ensure that this ground point has a stable and safe electric connection to the negative “–” pole of the battery. Check this ground wire from the battery to the ground point if possible and enforce it, if required. Use a ground wire with a sufficient cross section (at least  $\varnothing 2,5$  mm) and the same size like the positive + power supply wire. This helps reduce most of the interference than can occur in audio reproduction.

REM IN is suited to turn on the device if a turn-on signal from the head unit/car stereo is available. The voltage must be between 7 and 15 VDC. For that the switch POW ON SEL must be in position REM.

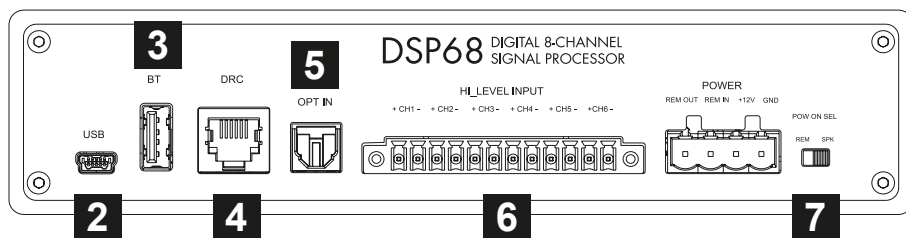
REM OUT can be used to connect another device such as an amplifier in order to supply it with a turn-on signal (REM OUT function).



### WARNING

Make sure the connection polarity is as indicated on the terminals. A misconnection may result in damage to the device. After applying power, wait about 8 seconds before turning the device on.

## DESCRIPTION OF OPERATION



### 2 USB

This USB input is suited for the connection with a PC/laptop computer to manage the functions of the MUSWAY DSP software to set-up the DSP functions of the device. The connection is USB 1.1/2.0/3.0 compatible. For downloading the software please visit “[www.musway.de/dsp](http://www.musway.de/dsp)”.

### 3 BT

This USB input is suited for an external Bluetooth® dongle with wireless audio streaming function with/ or adjusting the DSP by an APP through a smart phone/mobile device.

Check the website “[www.musway.de](http://www.musway.de)” for more information or ask your car audio retailer.

### 4 DRC

This input is suited for an external MUSWAY digital remote controller. Check the website “[www.musway.de](http://www.musway.de)” for more information or ask your car audio retailer.

### 5 OPT IN

This device accepts through its Optical input PCM stereo signals up to 96 kHz / 24 bit sampling frequency rate. Multi-channel signals coming from audio/video sources (such as the audio tracks of a film in DVD) can not be reproduced. Connect a fiber optic cable with a TOSLINK connector.

### 6 HIGH LEVEL INPUT

Connect here the amplified speaker outputs coming from the head unit by using the enclosed 12 pole multipolar connector.



**CAUTION:** Do NOT use the High Level Input and the Line Input at the same time.

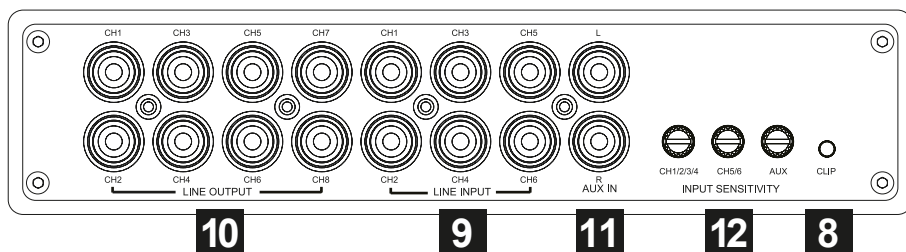
### 7 POW ON SEL

The device can be turned on/off by using the following methods:

**SPK:** Slide the switch into position SPK, if you want to turn on/off the device through the CH1 input channel of the high level speaker inputs and its Auto Turn-On function.

**REM:** Slide the switch into position REM, if you want to turn on/off the device through the REM IN and a turn-on signal from head unit/car stereo in low level operation.





## 8 CLIP

This LED lights up red if one of the 8 high level inputs (CH1-8) is overdriven. The LED has no function when an input signal is applied to the Optical input and the Bluetooth™ input. If this LED lights up reduce the input sensitivity by using the regarding controller Input Sensitivity until the LED goes out.

## 9 LINE INPUT (LOW LEVEL)

Connect here the preamplifier low level RCA outputs coming from the head unit.



**CAUTION:** Do NOT use the High Level Input and the Line Input at the same time.

## 10 LINE OUTPUT

These RCA outputs deliver DSP modified low level preamplifier output signals for additional amplifiers. Connect each channel according to your sound system setup.

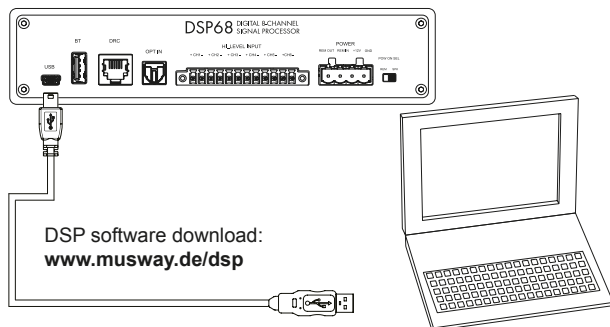
## 11 AUX IN

These stereo RCA inputs are suited for an auxiliary low level input signal from an external stereo pre-amplifier source such as a game console or a media player. The input sensitivity adjustable from 2 to 15 V RMS.

## 12 INPUT SENSITIVITY

With these controllers you can adjust the input sensitivity for each analog input section. This function is suited to match the output voltage of the connected signal source with the device.

## INITIAL SYSTEM START-UP



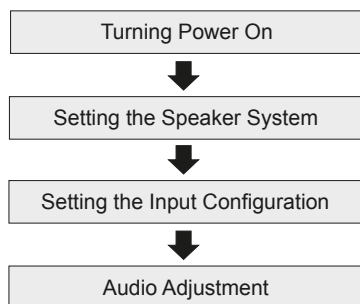
### Recommended specifications:

CPU:	1.6 GHz or higher
Memory:	1 GB or higher
HDD:	512 MB or more available space
Display:	1024×576 or higher
OS:	Microsoft™ Windows XP, Vista, 7, 8 or higher

- Download and save the MUSWAY DSP software before connecting the device to your personal computer.
- Install the device in your vehicle before you connect a computer to it .
- Turn the ignition key to the ACC or ON position.
- Connect a PC/Laptop with the USB terminal of device by using the enclosed USB cable.
- After you have open the DSP software, you can set/adjust all the audio settings on the computer.
- The device is on when the logo on the top lights up in orange. After 10 seconds it becomes operative.

## BEFORE YOU FIRST USE THE UNIT

When you first use the unit, set the following:



### WARNING

Before turning on the sound system, check again carefully the configuration of the cross-overs , the speakers setup. Wrong type of crossover or inappropriate parameter may cause permanent damages on the speakers, especially tweeters without passive crossovers.

## ACCESSORIES



### DRC1

With the DRC1 remote control, it is possible to control the overall volume and the subwoofer level on the amplifier. You can also select the input signal, the subwoofer level channel pair and the DSP preset. A short press on the rotary knob also mutes the entire sound system. Thanks to the OLED display, the DRC1 is clearly arranged and only needs to be connected to the amplifier with the enclosed connection cable (5.00 m).



### BTS

The BTS dongle features an audio streaming function that lets you wirelessly transfer music from your mobile device to the DSP amplifier. Simply connect the dongle to the DSP amplifier via USB and select the Bluetooth® input via software or the optional DRC1 remote control.



### BTA

The BTA dongle features an audio streaming function that lets you wirelessly transfer music from your mobile device to the DSP amplifier. Simply connect the dongle to the DSP amplifier via USB and select the Bluetooth® input via software or the optional DRC1 remote control. Besides the audio streaming function, the BTA dongle offers the possibility of configuring and controlling the DSP amplifier via smartphone/tablet. The app can be downloaded for iOS in the App Store and for Android® under Google Play for free.

## TECHNISCHE DATEN

### STROMVERSORGUNG

Betriebsspannung:	7 - 15 VDC
Ruhestrom:	0.5 A
Ausgeschaltet:	<0.1 mA
Remote IN Spannung:	9 - 15 VDC (1 mA)
Remote OUT Spannung:	11 - 15 VDC (200 mA)
Gerätesicherung:	3 A intern

### AUDIO

Klirrfaktor - THD (1 kHz @ 4 Ω, 90% Leistung):	0.05 %
Frequenzgang (-3 dB, 6 V RMS, 4Ω):	15 Hz - 22 kHz
S/N ratio @ A weighted, 1 V, Max. Power:	95 dB A
Eingangsempfindlichkeit:	3 V - 21 V RMS (Hochpegel); 1 V - 5 V RMS (Niederpegel)
Eingangsimpedanz:	13 Ω (Hochpegel); 47 kΩ (Niederpegel)

### SIGNAL EIN-/AUSGÄNGE

6 x Hochpegel-Eingänge mit EPS über 12-poligen Kabeladapterstecker
6 x RCA/Cinch Vorverstärkereingänge
2 x RCA/Cinch AUX Eingänge
8 x RCA/Cinch Vorverstärkerausgänge mit 6.5 V RMS Max.
1 x Optischer Eingang (PCM, 96 kHz / 24 bit)

## Konformitätserklärung

Hiermit erklärt die Audio Design GmbH, dass das Gerät MUSWAY DSP68 der Richtlinie 2014/53/EU entspricht. Die vollständige Konformitätserklärung ist einzusehen unter [www.musway.de/CE](http://www.musway.de/CE)

**DIGITALER SIGNAL PROZESSOR (32 bit, 330 MHz)**

Frequenzweichen:	Vollbereich / Hochpass / Tiefpass / Bandpass
Frequenzweichtyp/Flankensteilheit:	Bessel / Butterworth / Linkwitz @ 12/18/24/30/36/42/48 dB
Frequenz:	1 Hz Schritte @ 20 Hz - 20 kHz
Phasenverschiebung:	0° / 180°
Ausgangsqualizer:	31-Band Parametrischer Equalizer: ±12 dB
Abstand Laufzeitkorrektur:	0 - 692 cm
Verzögerung Laufzeitkorrektur:	0 - 20 ms
Schritte Laufzeitkorrektur:	0,08 ms; 2,8 cm
Feineinstellung Laufzeitkorrektur:	0,02 ms; 0,7 cm
Presets/Speicherplätze (Lokal gespeichert):	6 Presets/Speicherplätze

**ALLGEMEINE ANFORDERUNGEN**

PC Verbindung	Micro USB (1.1 / 2.0 / 3.0)
Software/PC Anforderungen:	Microsoft Windows (32/64 bit): XP, Vista, Windows 7, Windows 8, Windows 10
Grafikkarte min. Auflösung:	1024 x 768
Umgebungstemperaturbereich:	0 - 55 °C

**GRÖSSE / GEWICHT**

Größe ohne Montagehalter (mm):	181 x 123,5 x 41
Nettogewicht (kg):	0,4

**LIEFERUMFANG**

- 1 x DSP68 Prozessor
- 1 x 1,5 m USB Kabel
- 1 x 4-poliger Kabeladapterstecker (Stromversorgung)
- 1 x 12-poliger Kabeladapterstecker (Vorverstärker Hochpegel-Eingänge)
- 1 x Bedienungsanleitung (Englisch/Deutsch)

## SICHERHEITSHINWEISE

**DAS VON IHNEN ERWORBENE GERÄT IST NUR FÜR DEN BETRIEB AN EINEM 12-V-BORDNETZ EINES FAHRZEUGS AUSGELEGT.** Andernfalls besteht Feuergefahr, die Gefahr eines elektrischen Schlages oder anderer Verletzungen.

**BITTE KEINE BEDIENUNG DES SOUNDSYSTEMS AUSFÜHREN, WELCHE VOM SICHEREN LENKEN DES FAHRZEUGS ABLENKEN KÖNNTE.** Führen Sie keine Bedienungen aus, die Ihre Aufmerksamkeit längere Zeit in Anspruch nehmen. Stoppen Sie besser das Fahrzeug an einer sicheren Stelle am Straßenrand, bevor Sie solche Bedienungen ausführen. Andernfalls besteht Unfallgefahr.

**DIE LAUTSTÄRKE NUR SO HOCH EINSTELLEN, DASS SIE WÄHREND DER FAHRT NOCH AUSSENGERÄUSCHE WAHRNEHMEN KÖNNEN.** Hochleistungsaudiosysteme in Fahrzeugen, können den Schallpegel eines "Live-Konzertes" erzeugen. Dauerhaft extrem lauter Musik ausgesetzt zu sein kann den Verlust des Hörvermögens oder Hörschäden zur Folge haben. Das Hören von lauter Musik beim Autofahren kann Ihre Wahrnehmung (Warnsignale) beeinträchtigen. Im Interesse der allgemeinen Sicherheit empfehlen wir das Musikhören beim Autofahren mit geringer Lautstärke. Andernfalls besteht Unfallgefahr.

**LÜFTUNGSÖFFNUNGEN UND KÜHLKÖRPER NICHT ABDECKEN.** Andernfalls kann es zu einem Wärmestau im Gerät kommen und es besteht Feuergefahr.

**DAS GERÄT AUF KEINEN FALL ÖFFNEN.** Andernfalls besteht Unfallgefahr, Feuergefahr oder die Gefahr eines elektrischen Schlages. Das Öffnen des Gerätes hat auch einen Garantieverlust zur Folge.

**SICHERUNGEN IMMER DURCH SOLCHE MIT DER RICHTIGEN AMPEREZAHL ERSETZEN.** Andernfalls besteht Feuergefahr oder die Gefahr eines elektrischen Schlages.

**DAS GERÄT NICHT WEITERBENUTZEN, WENN EINE FEHLFUNKTION AUFTRITT, DIE NICHT VON IHNEN BEHOBEN WERDEN KANN.** Beachten Sie dazu den Abschnitt FEHLERBEHEBUNG. Andernfalls kann es zu Verletzungen oder Schäden am Gerät kommen. Geben Sie das Gerät zu Reparaturzwecken an einen autorisierten Händler oder den nächsten Kundendienst.

**DIE INSTALLATION EINES PUFFERKONDENSATORS MIT AUSREICHENDER KAPAZITÄT WIRD EMPFOHLEN.** Hochleistungsverstärker verursachen sehr hohe Spannungsabfälle und benötigen eine sehr hohe Stromstärke bei hoher Leistung. Um das Bordnetz des Fahrzeuges nicht übermäßig zu belasten, wird die Installation eines Pufferkondensators (auch Pufferelko, Powercap oder Power Capacitor genannt) empfohlen, der parallel zum Verstärker und zur Stromquelle als Puffer fungiert. Lassen Sie sich am besten im Car Audio Fachhandel beraten.

**VERKABELUNG UND EINBAU VON FACHPERSONAL AUSFÜHREN LASSEN.** Die Verkabelung und der Einbau dieses Gerätes erfordern technisches Geschick und Erfahrung. Zu Ihrer eigenen Sicherheit sollten Sie Verkabelung und Einbau dem Händler überlassen, bei dem Sie das Gerät erworben haben.

**VOR DER INSTALLATION DAS KABEL VOM MASSEPOL DER BATTERIE ABKLEMMEN.** Bevor Sie mit der Installation des Soundsystems beginnen, trennen Sie unbedingt den Massepol der Autobatterie ab, um Kurzschlüsse und Stromschläge zu vermeiden.

**WÄHLEN SIE EINEN GEEIGNETEN EINBAUORT.** Suchen Sie einen geeigneten Einbauort für das Gerät, bei dem ausreichend Raum für eine kühlende Luftzirkulation vorherrscht. Am besten geeignet sind Reserveradmulden und offene Bereiche im Kofferraum. Weniger geeignet sind Stauräume hinter der Seitenverkleidung oder Bereiche unter den Fahrzeugsitzen.

**DAS GERÄT NICHT AN STELLEN EINBAUEN, AN DENEN ES HOHER FEUCHTIGKEIT ODER STAUB AUSGESETZT IST.** Bauen Sie das Gerät so ein, dass es vor hoher Feuchtigkeit und Staub geschützt ist. Wenn Feuchtigkeit oder Staub in das Gerät gelangen, kann es zu Betriebsstörungen kommen. Schäden am Gerät, welche durch Feuchtigkeit hervorgerufen wurden, unterliegen nicht der Garantie.

**DAS GERÄT SOWIE ANDERE KOMPONENTEN DES SOUNDSYSTEMS AUSREICHEND BEFESTIGEN.** Andernfalls könnten sich die Geräte und Komponenten während der Fahrt lösen und als gefährliche Geschosse im Fahrgastraum Beschädigungen und Verletzungen hervorrufen.

**BEIM BOHREN VON LÖCHERN, BESTEHENDE KOMPONENTEN, LEITUNGEN UND KABEL DES FAHRZEUGS NICHT BESCHÄDIGEN.** Wenn Sie bei der Installation Löcher in das Fahrzeugchassis bohren, achten Sie unbedingt darauf die Kraftstoffleitungen, den Benzintank, elektrische Kabel und andere Leitungen nicht zu beschädigen, zu berühren oder zu blockieren.

**AUF KORREKTE ANSCHLÜSSE ACHTEN.** Bei fehlerhaften Anschlüssen besteht Feuergefahr, Kurzschlussgefahr und es kann zu Schäden am Gerät kommen.

**AUDIOKABEL UND STROMKABEL SOLLTEN NICHT ZUSAMMEN VERLEGT WERDEN.** Bei der Installation des Audiokabels zwischen dem Cinch-Ausgang des Autoradios und dem Cinch-Eingang des Geräts im Fahrzeug ist darauf zu achten, dass das Audio- und das Stromversorgungskabel möglichst nicht auf der selben Seite des Fahrzeugs verlegt werden. Besser ist eine räumlich getrennte Installation, im rechten und linken Kabelschacht des Fahrzeugs. Damit wird das Überlagern von Störungen auf das Audio-Signal verringert. Dieses gilt ebenfalls für das Verbindungskabel der beiliegenden Kabel-Fernbedienung. Das Kabel sollte nicht auf der Seite der Stromversorgungsleitung verlegt werden, sondern zusammen mit den Audiokabeln.

**SORGEN SIE DAFÜR, DASS SICH DIE KABEL NICHT IN GEGENSTÄNDEN IN DER NÄHE VERFANGEN.** Verlegen Sie die Kabel wie auf den folgenden Seiten beschrieben, damit diese beim Fahren nicht hinderlich sind. Kabel die sich im Bereich des Lenkrads, des Schalthebels oder im Bremspedal usw. verfangen können, führen zu äußerst gefährlichen Situationen.

**ELEKTRISCHE KABEL NICHT SPLEISSEN.** Kabel dürfen nicht abisoliert werden, um andere Geräte mit Strom zu versorgen. Andernfalls wird die Strombelastbarkeit des Kabels überschritten, und es besteht Feuergefahr oder die Gefahr eines elektrischen Schlags. Verwenden Sie hierfür am besten geeignete Verteilerblöcke.

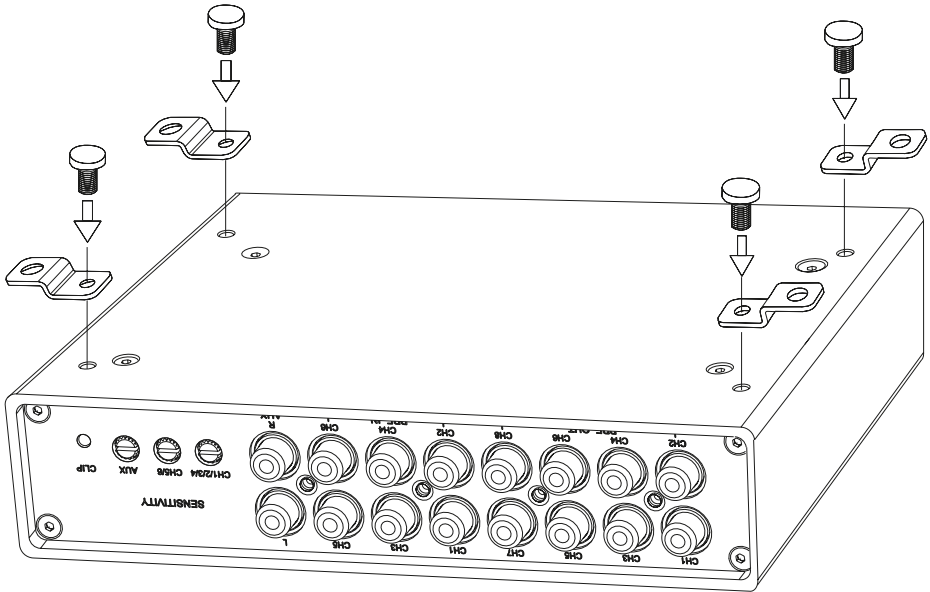
**BOLZEN UND MUTTERN DER BREMSANLAGE NICHT ALS MASSEPUNKT VERWENDEN.** Verwenden Sie für den Einbau oder Masseanschluss keine Bolzen oder Muttern der Brems- bzw. Lenkanlage oder eines anderen sicherheitsrelevanten Systems. Andernfalls besteht Feuergefahr oder die Fahrsicherheit ist beeinträchtigt.

**DIE KABEL SO VERLEGEN, DASS SIE NICHT GEKNICKT ODER DURCH SCHARFE KANTEN GEQUETSCHT WERDEN.** Verlegen Sie die Kabel so, dass sie sich nicht in beweglichen Teilen wie den Sitzschienen verfangen oder an scharfen Kanten oder spitzen Ecken beschädigt werden können. Wenn Sie ein Kabel durch eine Bohrung in einer Metallplatte führen, schützen Sie die Kabelisolierung mit einer Gummitülle vor Beschädigungen durch Metallkanten der Bohrung.

**KLEINTEILE WIE SCHRAUBEN UND ANSCHLUSS-STECKER VON KINDERN FERNHALTEN.** Werden solche Gegenstände verschluckt, besteht die Gefahr schwerwiegender Verletzungen. Suchen Sie unverzüglich einen Arzt auf, sollte ein Kind einen solchen Gegenstand verschluckt haben.

## MECHANISCHE INSTALLATION

- Achten Sie bei der Installation darauf, dass keine serienmäßig im KFZ vorhandenen Teile wie z.B. Kabel, Bordcomputer, Sicherheitsgurte, Tank oder ähnliche Teile beschädigt bzw. entfernt werden.
- Vergewissern Sie sich, dass das Gerät am Montageort genügend Kühlung erhält. Montieren Sie das Gerät nicht in zu kleine, abgeschlossene Gehäuse ohne Luftzirkulation, in die Nähe von wärmeabstrahlende Teilen oder elektronischen Steuerungen des Fahrzeuges.
- Montieren Sie das Gerät auf keinen Fall auf ein Bassgehäuse oder andere vibrierende Teile, dadurch können sich die Bauteile im Inneren losvibrieren und das Gerät ernsthaft beschädigen.
- Die Kabel der Stromversorgung und die Audiosignalkabel sollten bei dem Einbau so kurz als möglich gehalten werden, um Verluste und Störungen zu vermeiden.



### ACHTUNG

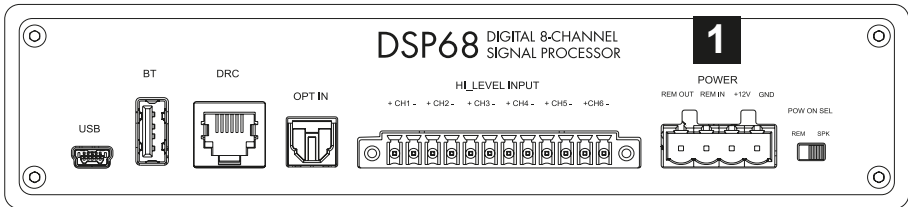
Bevor Sie mit der Installation des Soundsystems beginnen, trennen Sie unbedingt den Massepol der Fahrzeugbatterie ab, um Kurzschlüsse und Stromschläge zu vermeiden.



# ELEKTRISCHE ANSCHLÜSSE

## VOR DEM ANSCHLIESSEN

Für den fachgerechten Anschluss des Soundsystems sind geeignete Kabelsets im Fachhandel erhältlich. Achten Sie beim Kauf auf einen ausreichenden Kabelquerschnitt (min. Ø 2,5 mm), den passenden Sicherungswert sowie auf die Leitfähigkeit der Kabel. Säubern und entfernen Sie vorhandene Rost- und Oxidationsstellen an allen Kontaktpunkten der Batterie und an den Massepunkten. Ziehen Sie nach der Installation alle Schrauben fest an, denn ein lockerer Anschluss kann eine Fehlfunktion, unzureichende Stromversorgung oder Störgeräusche sowie Verzerrungen zur Folge haben.



## 1 POWER

Verbinden Sie den Anschluss POWER + mit dem 12 Volt Pluspol der Fahrzeugbatterie. Verwenden Sie zum Anschluss ein ausreichend dimensioniertes Stromkabel (min. Ø 2,5 mm) und installieren Sie eine zusätzliche Kabelsicherung. Die Sicherung sollte sich in Nähe der Batterie befinden, die Kabellänge vom Pluspol der Batterie bis zur Sicherung muss aus Sicherheitsgründen unter 30 cm liegen. Die Sicherung setzen Sie erst nach Abschluss aller Installationsarbeiten ein.

Verbinden Sie den Masseanschluss GND – des Geräts mit einem geeigneten Massepunkt am Fahrzeugchassis. Das Massekabel sollte möglichst kurz sein und an einem blanken, metallischen Punkt des Fahrzeugchassis angebracht werden. Achten Sie darauf, dass dieser Punkt eine sichere elektrische Verbindung zum Minuspol der Fahrzeugbatterie hat. Überprüfen Sie zudem die Masseleitung von der Batterie zur Karosserie und verstärken diese wenn nötig. Verwenden Sie zum Anschluss ein ausreichend dimensioniertes Massekabel (min. Ø 2,5 mm). Der Querschnitt sollte dabei genauso groß wie bei der Plusleitung gewählt werden.

REM IN ist geeignet, um das Gerät einzuschalten, wenn ein Einschaltsignal vom Autoradio verfügbar ist. Die Spannung muss zwischen 7 und 15 VDC liegen. Dafür muss sich der Schalter POW ON SEL in der Position REM befinden.

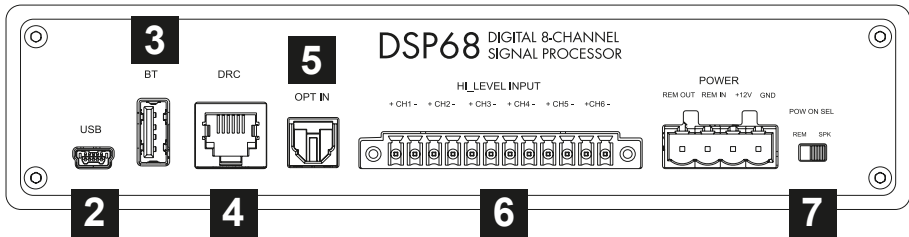
REM OUT kann mit einem weiteren Gerät wie z.B. einem Verstärker verbunden werden, um diesem ein Steuersignal zu liefern (REM OUT-Funktion).



## ACHTUNG

Stellen Sie sicher, dass die Polarität der Anschlüsse den Angaben auf den Klemmen entspricht. Eine Fehlverbindung kann zur Beschädigung des Geräts führen. Warten Sie nach dem Stromanschluss etwa 8 Sekunden, bevor Sie den Geräts einschalten.

## FUNKTIONSBESCHREIBUNG



### 2 USB

Dieser USB-Eingang ist für die Verbindung mit einem PC / Laptop-Computer geeignet, um die Funktionen der MUSWAY DSP-Software zur Einrichtung der DSP-Funktionen des Geräts zu verwalten. Die Verbindung ist USB 1.1 / 2.0 / 3.0 kompatibel.

Zum Herunterladen der Software besuchen Sie bitte „[www.musway.de/dsp](http://www.musway.de/dsp)“.

### 3 BT

Dieser USB-Eingang eignet sich für einen externen Bluetooth™ -Dongle mit kabelloser Audio-Streaming-Funktion und/oder zur Anpassung des DSP über eine APP auf Ihrem mobilen Endgerät. Auf der Website „[www.musway.de](http://www.musway.de)“ finden Sie weitere Informationen oder fragen Sie Ihren Car-Audio-Händler.

### 4 DRC

Dieser Eingang ist für eine externe digitale Fernbedienung von MUSWAY geeignet. Auf der Website „[www.musway.de](http://www.musway.de)“ finden Sie weitere Informationen oder fragen Sie Ihren Car-Audio-Händler.

### 5 OPT IN

Dieses Gerät akzeptiert über seinen optischen Eingang PCM-Stereosignale bis zu einer Abtastfrequenz von 96 kHz / 24 Bit. Mehrkanalsignale von Audio-/Videoquellen (z. B. die Audiospuren eines Films auf DVD) können nicht wiedergegeben werden. Schließen Sie ein Glasfaserkabel mit einem TOSLINK-Anschluss an.

### 6 HIGH LEVEL INPUT (HOCHPEGEL-EINGANG)

Schließen Sie hier die verstärkten Lautsprecherausgänge an, die vom Autoradio kommen, indem Sie den beiliegenden 12-poligen mehrpoligen Kabeladapter verwenden.



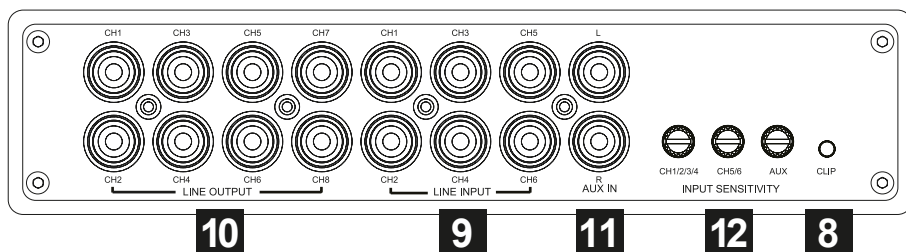
**ACHTUNG:** Verwenden Sie High Level Input und Line Input NICHT gleichzeitig.

### 7 POW ON SEL

Das Gerät kann mithilfe der folgenden Methoden ein- und ausgeschaltet werden:

SPK: Schieben Sie den Schalter in Position SPK, wenn Sie das Gerät über CH1 und dessen automatische Einschaltfunktion ein-/ausschalten möchten.

REM: Schieben Sie den Schalter in Position REM, wenn Sie das Gerät im Niederpegel-Betrieb über REM IN und das Einschaltsignal vom Autoradio ein-/ausschalten möchten.



## 8 CLIP

Diese LED leuchtet rot, wenn einer der sechs Hochpegeleingänge (CH1-4 & CH5 / 6) übersteuert ist. Die LED hat keine Funktion am optischen Eingang und Bluetooth™-Eingang. Wenn diese LED leuchtet, verringern Sie die Eingangsempfindlichkeit indem Sie den betreffenden Regler zurückdrehen bis die LED erlischt.

## 9 LINE INPUT (NIEDERPEGEL-EINGANG)

Schließen Sie hier die RCA/Cinch Vorverstärkerausgänge an, die vom Autoradio kommen.

**⚠ ACHTUNG:** Verwenden Sie High Level Input und Line Input NICHT gleichzeitig.

## 10 LINE OUTPUT

Diese RCA/Cinch-Ausgänge liefern vom DSP modifizierte Vorverstärker-Ausgangssignale für zusätzliche Verstärker. Verbinden Sie jeden Kanal entsprechend Ihrem Soundsystem-Setup.

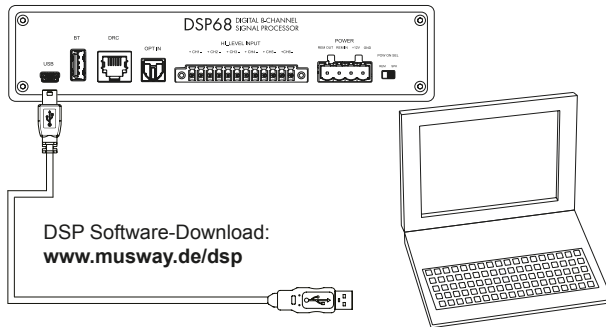
## 11 AUX IN

Diese Stereo-Cinch-Eingänge eignen sich für ein zusätzliches Niederpegel-Eingangssignal von einer externen Stereo-Vorverstärkerquelle wie einer Spielekonsole oder einem Media-Player. Die Eingangsempfindlichkeit ist von 2 bis 15 V RMS einstellbar.

## 12 INPUT SENSITIVITY

Mit diesen Reglern können Sie die Eingangsempfindlichkeit für die analogen Eingänge einstellen. Diese Funktion ist geeignet, um die Ausgangsspannung der angeschlossenen Signalquelle an das Gerät anzupassen.

## ERSTER SYSTEM START



DSP Software-Download:  
[www.musway.de/dsp](http://www.musway.de/dsp)

### Empfohlene Spezifikationen:

CPU: 1.6 GHz oder höher  
 RAM: 1 GB oder höher  
 HDD: 512 MB oder höher verfügbarer Speicherplatz  
 Display: 1024×576 oder höher  
 OS: Microsoft™ Windows XP, Vista, 7, 8 oder höher

- Laden und speichern Sie die MUSWAY DSP-Software, bevor Sie das Gerät an Ihren PC anschließen.
- Installieren Sie das Gerät in Ihrem Fahrzeug, bevor Sie einen Computer an ihn anschließen.
- Den Zündschlüssel in die Stellung ACC oder ON drehen.
- Schließen Sie einen PC/Laptop über das mitgelieferte USB-Kabel an das Geräts an.
- Nachdem Sie die DSP-Software geöffnet haben, können Sie alle Einstellungen am Computer anpassen.
- Das Gerät ist eingeschaltet, wenn das Logo auf der Oberseite orange leuchtet. Nach etwas 10 Sekunden ist das Gerät samt DSP steuerbar.

## VOR DEM ERSTEN GEBRAUCH DES GERÄTS

Stellen Sie bei der ersten Verwendung des Geräts Folgendes ein:



### ACHTUNG

Bevor Sie das Soundsystem einschalten, überprüfen Sie nochmals sorgfältig die Konfiguration der Frequenzweichen und Lautsprecher. Eine falsch eingestellte Frequenzweiche oder ungeeignete Parameter können zu dauerhaften Schäden an den Lautsprechern führen, insbesondere an Hochtönern ohne passive Frequenzweichen.

## ZUBEHÖR



### DRC1

Mit der DRC1 Fernbedienung ist es möglich, am Verstärker die Gesamtlautstärke und den Subwoofer-Pegel zu regeln. Zudem kann das Eingangssignal, das Kanalpaar für den Subwooferpegel sowie das DSP-Preset ausgewählt werden. Durch kurzes Drücken auf den Drehknopf ist ebenfalls eine Stummschaltung des kompletten Soundsystems möglich. Dank der OLED-Anzeige ist die DRC1 übersichtlich zu bedienen und muss lediglich mit dem beiliegenden Anschlusskabel (5,00 m) an den Verstärker angeschlossen werden.



### BTS

Der BTS Dongle bietet eine Audio Streaming-Funktion, mit der Sie von Ihrem Mobilgerät kabellos Musik an den DSP Verstärker übertragen können. Dazu müssen Sie den Dongle einfach nur über USB an den DSP Verstärker anschließen und per Software oder der optionalen Fernbedienung DRC1 den Bluetooth® Eingang wählen.



### BTA

Der BTA Dongle bietet eine Audio Streaming-Funktion, mit der Sie von Ihrem Mobilgerät kabellos Musik an den DSP Verstärker übertragen können. Dazu müssen Sie den Dongle einfach nur über USB an den DSP Verstärker anschließen und per Software oder der optionalen Fernbedienung DRC1 den Bluetooth® Eingang wählen. Neben der Audio Streaming-Funktion bietet der BTA Dongle noch die Möglichkeit, die Konfiguration und die Steuerung des DSP Verstärkers per Smartphone/Tablet vorzunehmen. Die dazugehörige APP ist für iOS im App Store und für Android unter Google Play kostenlos herunterzuladen.





# MUSWAY

MUSIC IS THE WAY



MUSWAY is a brand of Audio Design GmbH  
Am Breilingsweg 3 · D-76709 Kronau  
Tel. +49 7253 - 9465-0 · Fax +49 7253 - 946510  
© Audio Design GmbH, All Rights Reserved

[www.musway.de](http://www.musway.de)

**TECHNIK FÜR KLANGBEGEISTERTE**