



High-End Audiophile Amplifiers and DSP's

Model: ZQ9004 - ZQ5004 - ZQ15001 - ZQDSP12 - ZQA6.8

KEY FEATURES

- Two-Layer PCB with Immersion Gold Treatment
- High-end Polymer Gain Potentiometers
- Car & HiFi 'Product of the Year 2022' (**ZQ9004**)
- 24k Gold-Plated Terminals
- Nichicon & Wima Capacitors
- Toshiba & ON Transistors
- Shielded Transformer Cores
- S/N Ratio above 110dB
- Dual Power Supply



All specifications subject to change without notice.

LIST OF CONTENTS

Amplifiers

- Product Range Overview	3
- Precautions	3
- Installation	4
- Wiring Instructions	4
- Fuse Replacement	5
- Power Connection Leads	6
- Notes On Power Supply	6
- In Case of Faults	7
- Operation	8
- Interference & Noise	9

ZQ9004	10
- Specifications	11
- Speakers Bridged/Connections	12

ZQ5004	13
- Specifications	14
- Speakers Bridged/Connections	15

ZQ15001	16
- Specifications	17
- Speakers Bridged/Connections	17

DSP's	
- Operation	18
- Troubleshooting	18

ZQA6.8	19
- Audio Signal Process	20
- Specifications	21
- Connections	21

ZQDSP12	22
- Audio Signal Process	23
- Specifications	24
- Connections	24

INTRODUCTION

Thank you for purchasing this extraordinary High-End amplifier.

We have spent a lot of hours designing, listening and improving this amplifier.

We hope you will enjoy this unique creation as much as we have loved making it! **ENJOY!**

Note: Some of these amplifiers are pure class A/B amplifier so they will get hot!

ZQ9004 / ZQ5004 / ZQ15001 - HIGH END AMPLIFIERS

PRODUCT RANGE OVERVIEW

The ZQ Range is designed in the EU by one of Phoenix Gold's top amplifier master engineers, with over twenty years development experience in high end amplification.

In making this high-end range of amplifiers/DSP's, we insisted on using the best possible components such as transistors from ON Semiconductor, EPCOS magnetic core transformers, ELNA capacitors, Rubycon capacitors, Wima capacitors and Nichicon capacitors and many other well-known high-quality components from around the world.

This top of the range audio set up has been developed as a highly exclusive and valuable specialist audio electronics product. Phoenix Gold are constantly endeavouring to meet the growing demands of audio enthusiasts around the world to let them feel the ultimate sound experience. Passive components such as capacitors for example, may not be at the centre of attention when compared to active components, but they still form an indispensable part of the overall result. This is the key in making a really unique amplifier with fantastic performance.

We wish our Phoenix Gold clients the upmost enjoyment in listening to this amazing creation. This product is the essence of Phoenix Gold's brand values including some of the original features that made us famous in the beginning like a gold plated circuit board that are not only for show.... but because every little detail will affect the sound just like the founders of Phoenix Gold knew.

PRECAUTIONS

- ▶ This unit is designed for negative ground 12V DC operation only.
- ▶ Avoid installing the amplifier where:
 - It would be subject to high temperature, such as from direct sunlight or hot air from the heater
 - It would be exposed to rain or moisture.
 - It would be subject to dust or dirt.
- ▶ If your car is parked in direct sunlight and there is a considerable rise in temperature inside the car, allow the amplifier to cool off before operation.
- ▶ When installing the unit horizontally, be sure not to cover the heatsink fins with the floor carpet.
- ▶ If this unit is placed too close to the car radio, an interference may occur. In this case, separate the amplifier from the car radio.
- ▶ This power amplifier employs a protection circuit to protect the transistors and speakers if the amplifier malfunctions. Do not attempt to test the protection circuits by covering the heatsink or connecting improper loads. Do not use the amplifier with a weak auto battery as its optimum performance depends on a normal battery supply voltage.
- ▶ For safety reasons, keep the volume of your car audio system moderate so that you can still hear normal traffic sounds outside your car.

ZQ9004 / ZQ5004 / ZQ15001 - HIGH END AMPLIFIERS**INSTALLATION**

- ▶ First, ensure the mounting location is free of dirt and dust and that there is enough ventilation in order to achieve optimum performance and avoid overheating when the amplifier is in use.
- ▶ Keep the wire connections as short as possible with sufficient length in order to minimise any power losses and provide a higher audio output of the system.
- ▶ Where possible route all power and speaker wiring through any existing wire channels within the vehicle in order to ensure wiring does not pass through sharp edged metal.
- ▶ Make sure all cables are away from any ignition cables or modules in the boot and under the key dashboard components in order to avoid any interference.
- ▶ Add a fuse to the (+) power cable in a distance of not more than 30cm from the positive battery pole.
- ▶ Ensure the power cable is as short as possible.

WIRING INSTRUCTIONS**POWER CONNECTION**

The battery terminal (+12V) must be connected directly to the positive terminal of the vehicle battery to provide an adequate voltage source and minimize noise. Connecting the battery terminal lead to any other point (such as the fuse block) will reduce the power output and may cause noise and distortion. Use only #8 gauge or thicker (smaller gauge #) wire for this lead and connect it to the terminal of the battery after all other wiring is completed.

GROUND CONNECTION

The ground terminal (GND) connection is critical to the correct operation of the amplifier. Use a wire of the same gauge as the power connection (#8 or thicker) and connect it between the ground terminal (GND) of the amplifier and a metal part of the vehicle close to the mounting location. This wire should be as short as possible and any paint or rust at the grounding point should be scraped away to provide a clean metal surface to which the end of the ground wire can be screwed or bolted.

SPEAKER CONNECTIONS

Depending on the type and number of speakers used with the amplifier, wired them to the speaker terminals as per the appropriate wiring diagram. For most applications 18 gauge wire should be used for the speaker leads but in no case thinner than 20 gauge. For leads in excess of 10 feet 16 gauge is recommended. When wiring the speakers, pay careful attention to the polarity of the terminals on the speakers and make sure they correspond to the polarity of the corresponding terminals on the amplifier. Do not ground any speaker leads to the chassis of the vehicle.

ZQ9004 / ZQ5004 / ZQ15001 - HIGH END AMPLIFIERS**REMOTE TURN-ON CONNECTION**

The amplifier is turned on by applying +12V to the remote turn-on terminal (REM). The wire leading to this terminal should be connected to the 'Remote Out +12V' lead from the car stereo which will provide the +12V only when the car stereo is turned on. If the car stereo does not provide an 'Remote Out +12V' lead, the remote turn-on lead may be wired to an "Accessory" or "Radio" terminal in the car's fuse block. This will turn the amplifier on and off with the ignition key, regardless of whether the car stereo is on or off. The remote turn-on lead does not carry large currents, so a #20 gauge wire may be used for this application.

FUSE

The amplifier is equipped with a plug-in auto fuse which helps protect the amplifier against faulty conditions. Do not use a fuse with a higher value and never bridge the fuse, as this may lead to the warranty of the amplifier being denied/void.

FUSE REPLACEMENT

If the fuse blows, check the power connection and replace the fuse. If the fuse blows again after replacement, there may be an internal malfunction. In this case, consult your dealer.

WARNING:

Use the specified fuse. Use of a higher fuse may cause serious damage.

PROTECTION CIRCUIT:

This amplifier is provided with a protection circuit which operates in the following cases when:

- ▶ The unit is overheated.*
- ▶ The speaker terminals are short-circuited.

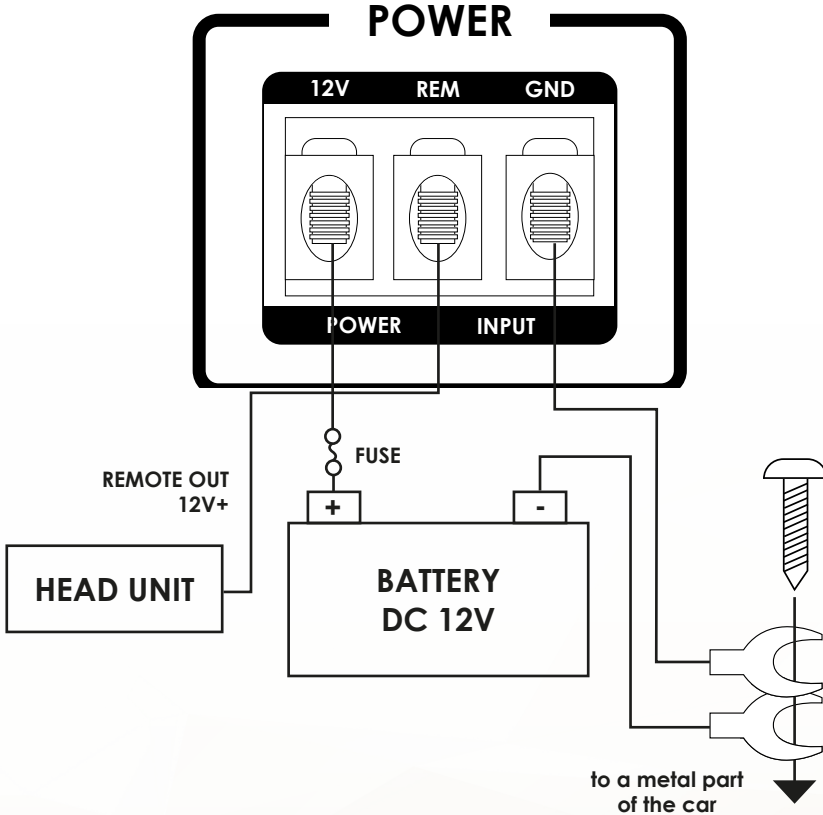
***THERMAL PROTECTION:**

As these amplifiers are Class A/B, they can tend to get hot when being used for long periods of time.

In the case that the amplifier goes into 'thermal protection', please provide better airflow around the unit.

ZQ9004 / ZQ5004 / ZQ15001 - HIGH END AMPLIFIERS

POWER CONNECTION LEADS



NOTES ON THE POWER SUPPLY

- ▶ Connect the +12V power input lead only after all other leads have been connected.
- ▶ Be sure to connect the ground wire of the unit securely to a metal part of the vehicle.
- ▶ A loose connection may cause a malfunction of the amplifier.
- ▶ Place the fuse in the power supply lead as close as possible to the car battery.

ZQ9004 / ZQ5004 / ZQ15001 - HIGH END AMPLIFIERS**NOTES ON THE POWER SUPPLY**

- ▶ The unit is turned on by applying +12 Volts to the REM (Remote In). This terminal does not draw heavy current like the main Power Terminals so a thinner connecting wire is acceptable. Standard 18 GAUGE is fine and the standard colour is blue. If the radio is equipped with a Power Antenna control wire, it can drive this terminal. If the Power Antenna wire is already in use, you can still splice into it. With this method, the unit will turn on automatically with the radio. Use the power supply lead with a fuse attached whose value is the same as the original fuse inside the amplifier.
- ▶ During a full power operation, maximum current will run through the system, therefore, make sure that the leads to be connected to the +12V and GND terminals of the unit respectively must be larger than 10 Gauge (AWG.10).

IN CASE OF FAULTS**NO FUNCTION**

The connection cable is not connected correctly (terminal BATT/GND /REM). Ensure that all connections, mechanical contacts, and wire jackets have been removed. The fuse might be defective - pay attention to the correct value of a new fuse!

NO SOUND

Speaker cable or RCA plugs are not connected correctly.

NO SOUND / RED LED PROTECTION SHINES:

The plus and minus wires of the speaker cable shorted, thus creating a short circuit. If you use a 2 Ohm speaker in stereo mode, turn the gain control to "min" until the operation is free of trouble.

POOR SOUND QUALITY (DISTORTIONS)

The speakers are overloaded, therefore turn down the volume level and check the volume control positions.

NO STEREO AND A WEAK BASS

Left and right speaker cables (+) and (-) are out of phase.

ZQ9004 / ZQ5004 / ZQ15001 - HIGH END AMPLIFIERS**OPERATION**

After the amplifier has been installed and all connections have been made carefully and securely, turn the radio on so that the amplifier is switched on automatically. After a short power-on period, the amplifier reaches its full performance.

Now turn up the volume slowly using the volume control of the radio. If there is no sound or only a distorted replay, switch off the radio immediately, the amplifier will also switch off automatically - and check if all connections have been made correctly.

POWER = LED POWER INDICATOR

After the correct connection order of the three power terminals, the LED indicator shines green and goes out when is off.

PROTECT = LED PROTECTION INDICATOR

This unit is equipped with an overload protection function. Immediately upon overloading (due to short circuit or much increased temperature) the overload protection is activated, and the red LED indicator is shining. This means the amplifier is protected.

LEVEL CONTROL

The input level control allows the system to work well within a wide range of output levels. Choose the adjustment in the way that you achieve a sound without any distortion.

As a guideline the following procedure is recommended:

If you use several amplifiers, the adjustment has to made for each set separately. Tune the volume control of your car to 2/3rds of the maximum volume. Now turn the gain control of the amplifier from 'MIN' to 'MAX' direction until you can hear distortions. Then turn the level control a little back to 'MIN'. The gain control adjustment is finished.

ATTENTION - If you use 2 Ohm speakers in stereo mode, turn the gain control to 'MIN' direction, until the operation is free of trouble.

ZQ9004 / ZQ5004 / ZQ15001 - HIGH END AMPLIFIERS**INTERFERENCE & NOISE**

All cables are sources of interference and noise. The power cable and RCA audio cable are very prone to interference; the remote cables are less prone. The interference can be caused by the generator (piping), ignition (cracking) or other car electronic parts. Most of these problems can be eliminated by correct and careful cabling. In doing so, these are the following guidelines:

- ▶ Use only an RCA audio cable for the wiring between the amplifier and RCA output of the radio.
- ▶ Lay the signal, speaker and power cables separately with enough distance from one another and also from each other car cable. If not possible, you can lay the circuit and ground cable together with the serial cables. Audio and speaker cable should be as far away from these as possible. The REM cable to the automatic antenna output of the radio can be laid together with the signal cables.
- ▶ Avoid ground loops by laying the ground wiring of all components to a centre point in a star-like way. You can find the best central point in measuring the voltage directly at the battery. Now compare this voltage value with the chosen ground point and the (+) terminal of the amplifier. If the measured voltage is only less different, you've found the correct central. Otherwise, you have to look for another point. You should measure with the ignition being switched on and additionally switched on other electronics (rear window heating and light). If there are pickups from external electrical sources into the speaker cables, divide the core leads and twist them together.
- ▶ If there are noises from the car electronics, add a noise suppression choke to the power wiring.
- ▶ If there are humming noises, use thicker ground cables or add further ground cables to the chassis.
- ▶ To reduce contact resistance and bad/loose contacts, please tin the cable ends or use multi-core cable ends, spade terminals or others. Note - plated spade terminals are free of corrosion and have the lowest contact resistance.
- ▶ Should any of these measures have no success, the use of a ground loop isolator may solve the problem. If the problem persists, contact a certified car audio installer.



High-End 4 Channel Amplifier

Model: ZQ9004

KEY FEATURES

- Two-Layer PCB with Immersion Gold Treatment
- High-end Polymer Gain Potentiometers
- Car & HiFi 'Product of the Year 2022'
- 24k Gold-Plated Terminals
- Nichicon & Wima Capacitors
- Toshiba & ON Transistors
- Shielded Transformer Cores
- S/N Ratio above 110dB
- Dual Power Supply



All specifications subject to change without notice.

ZQ9004 - 4 CHANNEL AMPLIFIER

SPECIFICATIONS

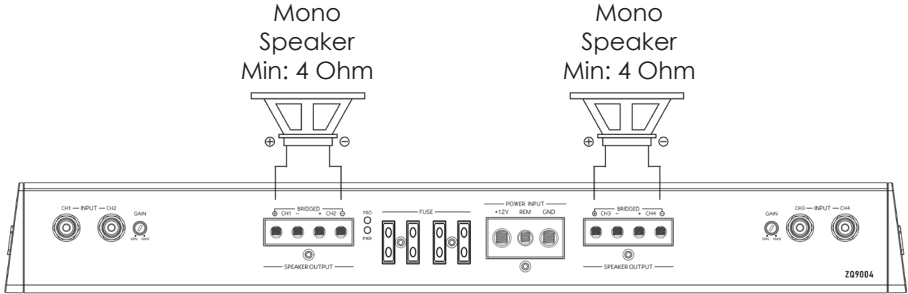
Supply Voltage	11-15V DC
Power Output @ 4 ohm	150W x 4
Power Output @ 2 ohm	230W x 4
Power Output @ 4 ohm	380W x 2 (Bridged)
Frequency Response	10Hz - 55KHz (-3dB)
Channel Separation	60dB
Signal to Noise Ratio	+110dB
Input Impedance	22K Ohm
Input Sensitivity	400mV - 5V
T.H.D	<0.05%

- ▶ 4 Channel Power Amplifier
- ▶ Low Level Input
- ▶ Gain Control
- ▶ LED Power & Protection Indicator
- ▶ Mosfet Power Supply
- ▶ Thermal Protection

Note that the two speakers & four speakers have been connected to the four terminal following the (+) and (-) graphic. Your speaker terminal may be marked (+) and (-) or there may be red dot by one terminal which means the same as (+). Connecting the speakers in this manner assures that the two speaker cones will move in and out together according to the original recording. If one of the two speakers is reversed, stereo imaging and bass response will be degraded.

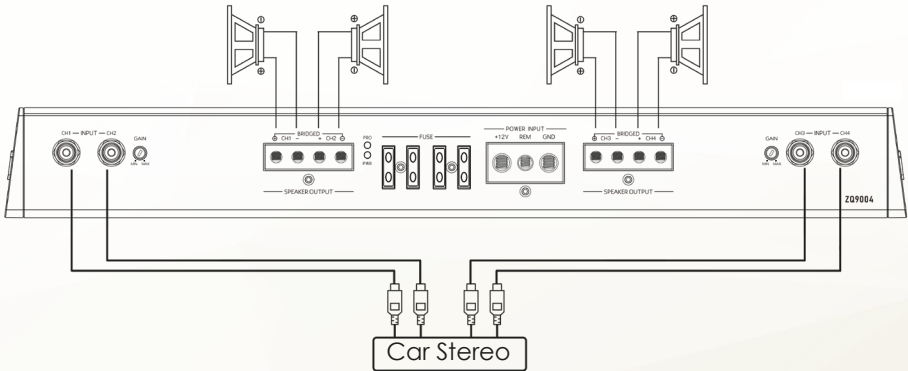
ZQ9004 - 4 CHANNEL AMPLIFIER

SPEAKERS BRIDGED



SPEAKER CONNECTIONS

CH1 Speaker Min: 2 Ohm CH2 Speaker Min: 2 Ohm CH3 Speaker Min: 2 Ohm CH4 Speaker Min: 2 Ohm





High-End 4 Channel Amplifier

Model: ZQ5004

KEY FEATURES

- Two-Layer PCB with Immersion Gold Treatment
- High-end Polymer Gain Potentiometers
- Dual Colour Heatsink for Heat Transfer Optimisation
- Imported High-Quality Transformer Core
- 24k Gold-Plated Terminals
- Nichicon & Siemens Capacitors
- Toshiba & ON Transistors
- S/N Ratio above 110dB
- Dual Power Supply

All specifications subject to change without notice.

ZQ5004 - 4 CHANNEL AMPLIFIER

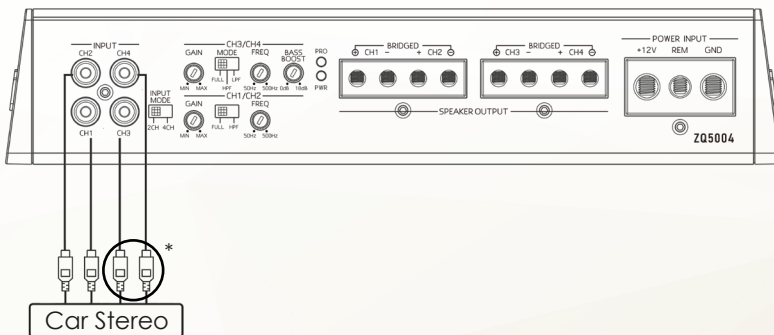
SPECIFICATIONS

Supply Voltage	11-15V DC
Power Output @ 4 ohm	95W x 4
Power Output @ 2 ohm	150W x 4
Power Output @ 4 ohm	260W x 2 (Bridged)
Frequency Response	10Hz - 55KHz (-3dB)
HP/LP Frequency	50Hz - 500Hz
Bass Boost	0 - 18dB
Channel Separation	60dB
Signal to Noise Ratio	+100dB
Input Impedance	22K Ohm
Input Sensitivity	250mV - 5V
T.H.D	<0.05%

- ▶ 4 Channel Power Amplifier
- ▶ Bass Boost Control
- ▶ Low Level Input
- ▶ Crossover Control
- ▶ HP/LP Filter Control
- ▶ LED Power & Protection Indicator
- ▶ Mosfet Power Supply
- ▶ Thermal Protection
- ▶ Short Circuit Protection
- ▶ Gain Control

Note that the two speakers & four speakers have been connected to the four terminal following the (+) and (-) graphic. Your speaker terminal may be marked (+) and (-) or there may be red dot by one terminal which means the same as (+). Connecting the speakers in this manner assures that the two speaker cones will move in and out together according to the original recording. If one of the two speakers is reversed, stereo imaging and bass response will be degraded.

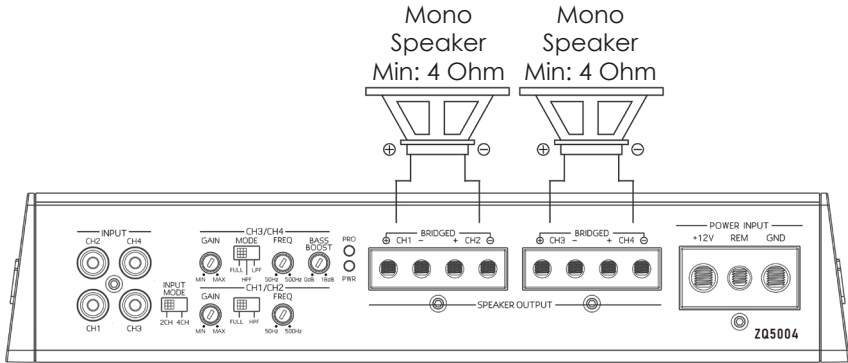
STEREO MODE



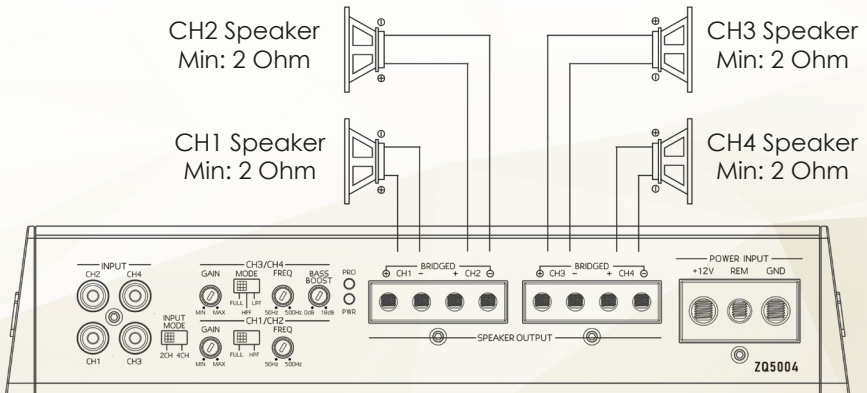
* Input mode allows for both '2 channel' and '4 channel' RCA inputs. When '2 channel' selected, CH1 & CH2 will also provide signals for CH3 & CH4.

ZQ5004 - 4 CHANNEL AMPLIFIER

SPEAKERS BRIDGED



SPEAKER CONNECTIONS





High-End 1 Channel Amplifier

Model: ZQ15001

KEY FEATURES

- Two-Layer PCB with Immersion Gold Treatment
- High-end Polymer Gain Potentiometers
- Dual Colour Heatsink for Heat Transfer Optimisation
- 24k Gold-Plated Terminals
- Siemens Capacitors
- IR Transistors
- High-Quality Transformer Cores
- S/N Ratio above 110dB
- Dual Power Supply

All specifications subject to change without notice.

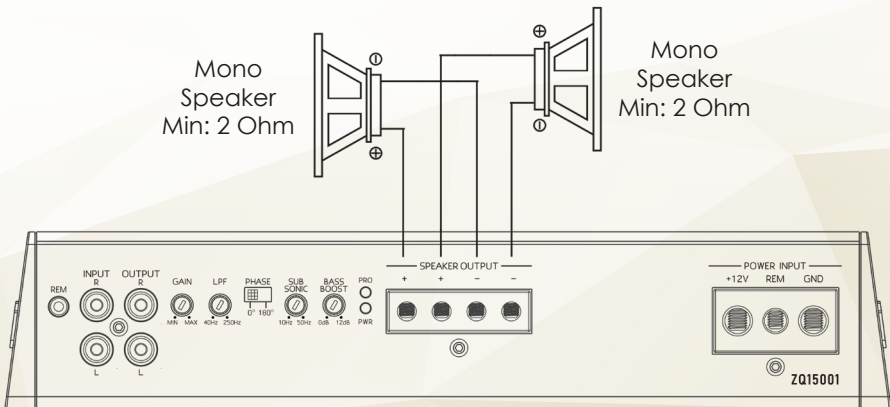
ZQ15001 - 1 CHANNEL AMPLIFIER

SPECIFICATIONS

Supply Voltage	11-15V DC
Power Output @ 4 ohm	500W x 1
Power Output @ 2 ohm	850W x 1
Power Output @ 1 ohm	1200W x 1
Frequency Response	5Hz - 250Hz (-3dB)
Low Pass Frequency	40Hz - 250Hz
Subsonic Frequency	5Hz - 50Hz
Phase Shift Control	0 - 180°
Bass Boost	0 - 12dB
Signal to Noise Ratio	+80dB
Input Impedance	20K Ohm
Input Sensitivity	150mV - 5V
T.H.D	<0.05%

- ▶ 1 Channel Power Amplifier
- ▶ Bass Boost Control
- ▶ Low Level Input
- ▶ Low Pass Filter Control
- ▶ Gain Control
- ▶ LED Power & Protection Indicator
- ▶ Mosfet Power Supply
- ▶ Short Circuit & Thermal Protection
- ▶ Phase Control
- ▶ Remote Control Included

SPEAKER CONNECTIONS



ZQA6.8 / ZQDSP12 - HIGH END DSP

OPERATION

When the switch is toggled to DC, the DSP is automatically switched for high level inputs. When switched to REM, the output (REM OUT) of the DSP must be connected to the input connector (REM IN) of the amplifier to work. After a few operations turning the DSP on and off, the DSP has direct current and the switch must be turned to REM IN to control the switch gear.

The product has one REM OUT option and can be connected with the REM input of another amplifier to control the DSP with an externally powered amplifier. If used in this way, please ensure the RCA low level output connector is connected to the external amplifier system. Be sure to use the REM OUT connector of this machine to control the REM Input of the external amplifier, otherwise, it may cause overpowering and result in a fire.

COMMON TROUBLESHOOTING

NO POWER

The connection cable is not connected correctly (terminal BATT/GND /REM). Ensure that all connections, mechanical contacts, and wire jackets have been removed. The fuse might be defective - pay attention to the correct value of a new fuse!

NO SOUND

Speaker cable or RCA plugs are not connected correctly. Check if 'Mute' setting is applied. Check if input channel is selected correctly.



High-End 6 Channel Amplifier with 8 Channel DSP

Model: ZQA6.8

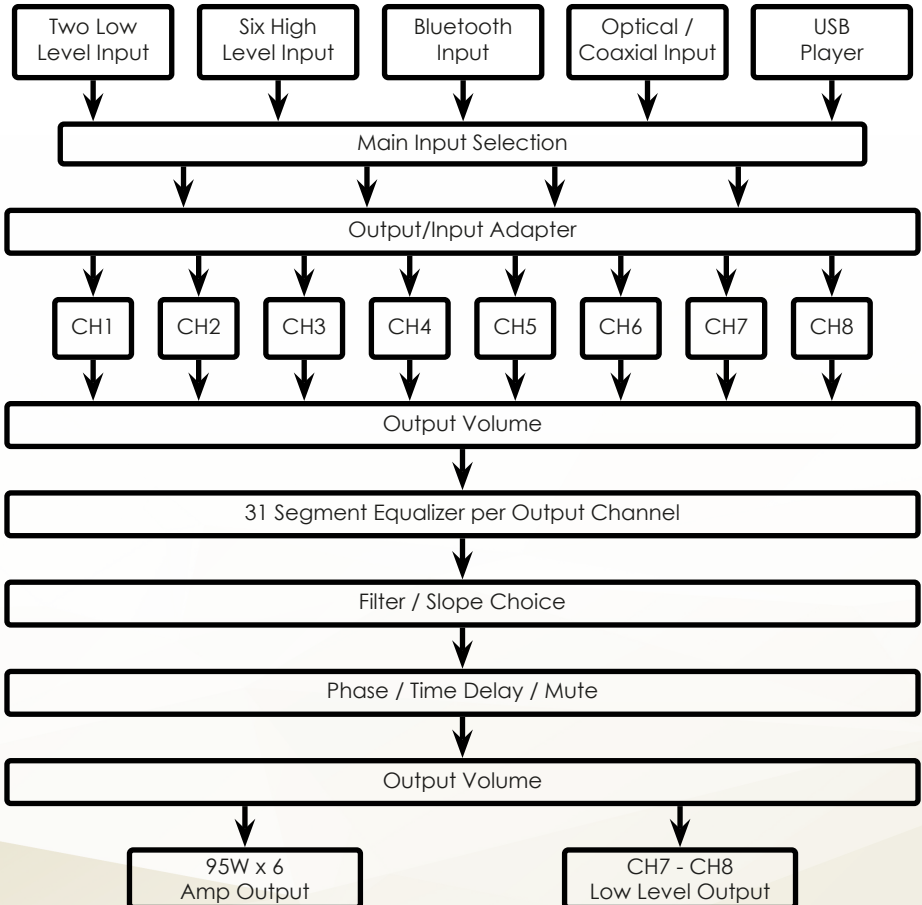
KEY FEATURES

- Two-Layer PCB with Immersion Gold Treatment
- 6 Channel Amplifier
- Built in 8 Channel Digital Signal Processor
- 24k Gold-Plated Terminals
- Nichicon & Siemens Capacitors
- Toshiba & ON Transistors
- High-Quality Transformer Cores
- USB playback & Bluetooth built-in
- Windows software compatible

ZQA6.8 - 8 CHANNEL DSP

AUDIO SIGNAL PROCESS

This device uses 96kHz high sampling rate audio extraction mode. 32-bit resolution industry good Delta-Sigma A/D and D/A conversion, the core processor is the high resolution, 48-bit double precision floating point and 160MHz digital signal processor (DSP). Digital audio processing, including gain control, signal phase, delay and frequency device (low shear and high cut filter, the types of specialized division include: link/bessel/butterworth, eightslope 12dB 18dB 24dB 30dB 36dB 42dB 48dB 0dB optional) etc.



ZQA6.8 - 8 CHANNEL DSP

SPECIFICATIONS

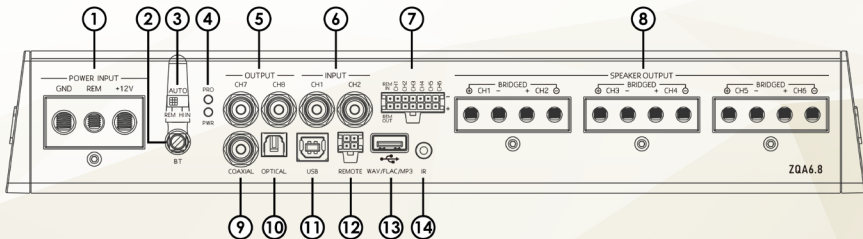
Supply Voltage	11-15V DC
Power Output @ 4 ohm	95W x 6
Power Output @ 2 ohm	150W x 6
Power Output @ 4 ohm	95W x 4 + 280W x 1
Frequency Response	10Hz - 22kHz (-3dB)
Signal to Noise Ratio	+100dB
Input Sensitivity	300mV - 2.5V
T.H.D	<0.1%



DSP FUNCTIONALITY

Input Signal Type	6-CH High, 2-CH Low, Bluetooth, Optical/Coaxial
Output Signal Type	Free definable output sound position & speaker type
Output Signal Gain	Mute, -59dB to 0dB
Equalizer Bands per CH	31 band equalizer engine
Equalizer type	GEQ/PEQ
Equalizer Freq. range	20Hz - 20kHz
Equalizer Gain	-15dB to +15dB
Output Signal Crossover	Each output with 2 rank's high/low pass filter
Crosser type	Butterworth, Linkwitz-Riley, Bessel
Filter Crossover	20Hz - 20kHz
Filter Slope Setting	12,18,24,30,36,42,48dB per Octave
Output Phase	0 - 180°
Time Delay	0.000-12.479ms - 0.00-424.286cm

CONNECTIONS



- | | | |
|-------------------------|-----------------------------------|----------------------------|
| 1. Power Input | 6. Low Level RCA Input | 10. Optical Input |
| 2. Bluetooth Antenna | 7. Hi-Level Input & Remote In/Out | 11. USB 2.0 Input (for PC) |
| 3. REM 12V or AutoStart | 8. Speaker Output | 12. Remote Control* |
| 4. Power/Protection LED | 9. Coaxial Input | 13. USB Port (for media) |
| 5. Low Level RCA Output | | 14. IR Input* |

*optional inputs



High-End 12 Channel DSP

Model: ZQDSP12

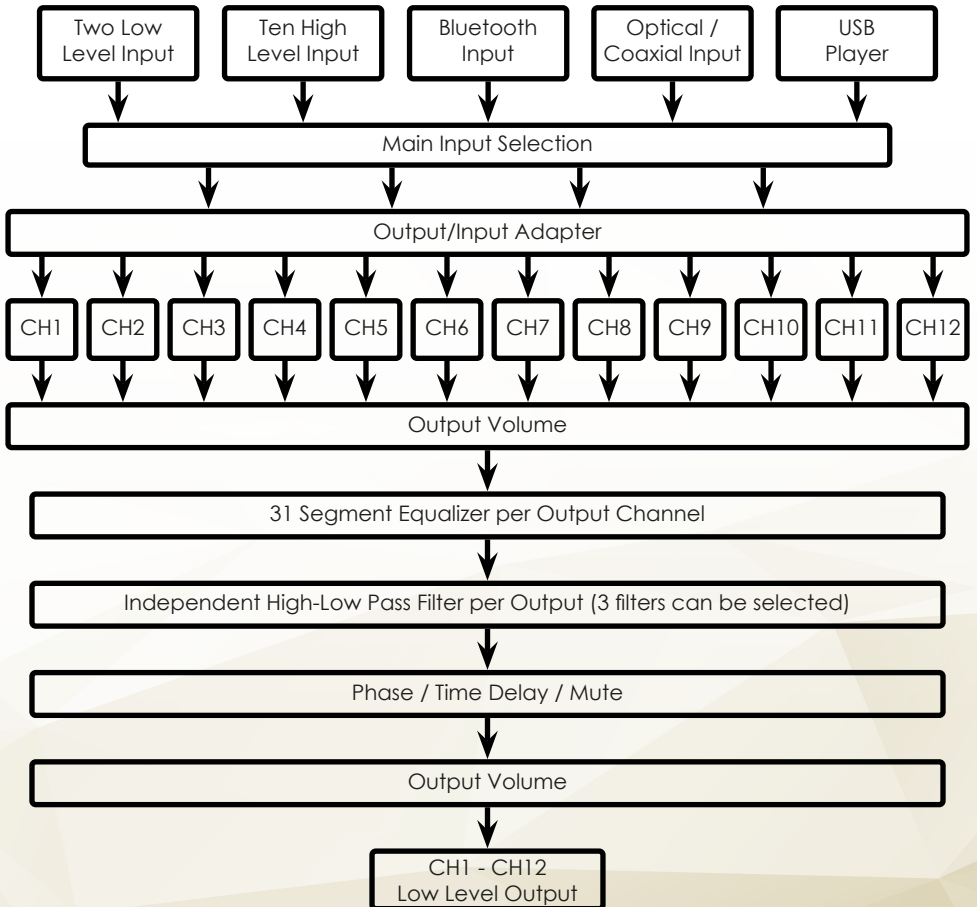
KEY FEATURES

- Two-Layer PCB with Immersion Gold Treatment
- Digital Signal Processor with Analog & Digital Inputs
- 24k Gold-Plated Terminals
- ELNA Capacitors
- ADI1452 Chip Transistors
- Shielded Transformer Cores
- USB playback & Bluetooth built-in
- Windows software compatible
- Dual Power Supply

ZQDSP12 - 12 CHANNEL DSP

AUDIO SIGNAL PROCESS

This device uses 96kHz high sampling rate audio extraction mode. 32-bit resolution industry good Delta-Sigma A/D and D/A conversion, the core processor is the high resolution, 48-bit double precision floating point and 160MHz digital signal processor (DSP). Digital audio processing, including gain control, signal phase, delay and frequency device (low shear and high cut filter, the types of specialized division include: link/bessel/butterworth, eightslope 12dB 18dB 24dB 30dB 36dB 42dB 48dB 0dB optional) etc.



ZQDSP12 - 12 CHANNEL DSP

SPECIFICATIONS

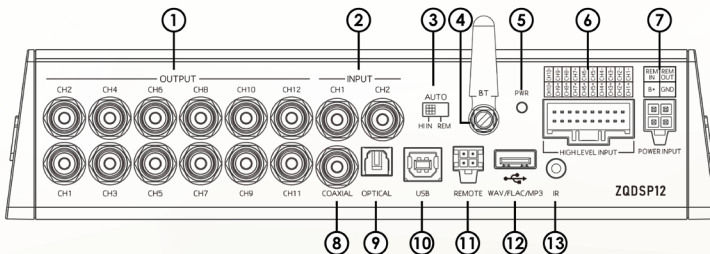
Supply Voltage	11-15V DC
Frequency Response	10Hz - 22kHz (-3dB)
Input Sensitivity	50dB
Signal to Noise Ratio	+100dB
Input Sensitivity	1V - 2.5V
T.H.D	<0.1%



DSP FUNCTIONALITY

Input Signal Type	10-CH High, 2-CH Low, Bluetooth, Optical/Coaxial
Output Signal Type	Free definable output sound position & speaker type
Output Signal Gain	Mute, -59dB to 0dB
Equalizer Bands per CH	31 band equalizer engine
Equalizer type	GEQ/PEQ
Equalizer Freq. range	20Hz - 20kHz
Equalizer Gain	-15dB to +15dB
Output Signal Crossover	Each output with 2 rank's high/low pass filter
Crosser type	Butterworth, Linkwitz-Riley, Bessel
Filter Crossover	20Hz - 20kHz
Filter Slope Setting	12,18,24,30,36,42,48dB per Octave
Output Phase	0 - 180°
Time Delay	0.000-12.479ms - 0.00-424.286cm

CONNECTIONS



- | | | |
|-----------------------------|----------------------------|--------------------------|
| 1. CH1-12 Low Level Outputs | 6. Hi-Level Input | 11. Remote Control* |
| 2. 2x Low Level Inputs | 7. Power, Remote In/Out | 12. USB Port (for media) |
| 3. Hi In/REM Convertor | 8. Coaxial Input | 13. IR Input* |
| 4. Bluetooth Antenna | 9. Optical Input | |
| 5. Power LED | 10. USB 2.0 Input (for PC) | |

*optional inputs

NOTES



A Brand of AAMP Global.
phoenixgold-eu.com

© Copyright 2021

Phoenix Gold Product Warranty

LIMITED WARRANTY ON AMPLIFIERS

Phoenix Gold warrants this product to be free of defects in materials and workmanship for a period of one (1) years from the original date of purchase. This warranty is not transferable and applies only to the original purchaser from an authorized Phoenix Gold dealer in the United States of America only. Should service be necessary under this warranty for any reason due to manufacturing defect or malfunction, Phoenix Gold will (at its discretion) repair or replace the defective product with new or re-manufactured product at no charge. Damage caused by the following is not covered under warranty: accident, misuse, abuse, product modification or neglect, failure to follow installation instructions, unauthorized repair attempts, misrepresentations by the seller. This warranty does not cover incidental or consequential damages and does not cover the cost of removing or reinstalling the unit(s). Cosmetic damage due to accident or normal wear and tear is not covered under warranty.

INTERNATIONAL WARRANTIES:

Products purchased outside the United States of America are covered only by that country's Authorized Phoenix Gold reseller and not by Phoenix Gold. Consumers needing service or warranty information for these products must contact that country's reseller for information.