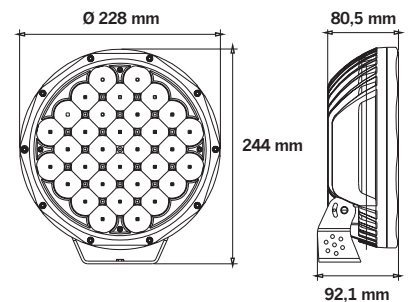


# strands<sup>®</sup>

-lighting division

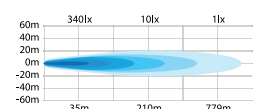


## YUKON DRIVING LIGHT 9" LED



Voltage	9-32V DC
Watt	120W
Theoretical lumen	7860
Actual lumen	7693
1 lux @	779m
IP-class	IP68
Beam pattern	Spot
Position light	No
Connection	DT

Cable length	500mm
Material housing	Aluminium
Material lens	Polycarbonate
Diameter	228mm
Depth	80,5/92,1mm
Height including bracket	244mm
Operating temperature	-35°C - +45°C
E-approved	No
EMC-certificate	ECE R10



Part No. 270907